

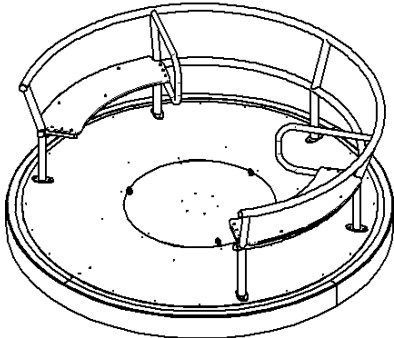


INSTALLATION GUIDE

INCLUSIVE ROUNDABOUT

AUTAN 1

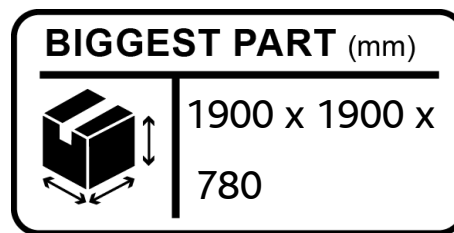
Code: IS-IN-101



LIST OF ELEMENTS		
CODE	ELEMENT	QTY
1		1
2		3
3		3

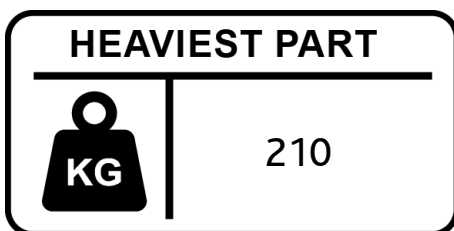


HIC = 1,0 m



BIGGEST PART (mm)

1900 x 1900 x
780

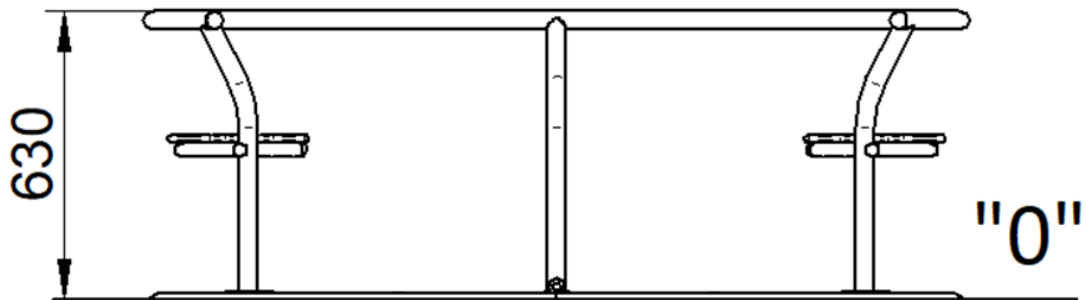
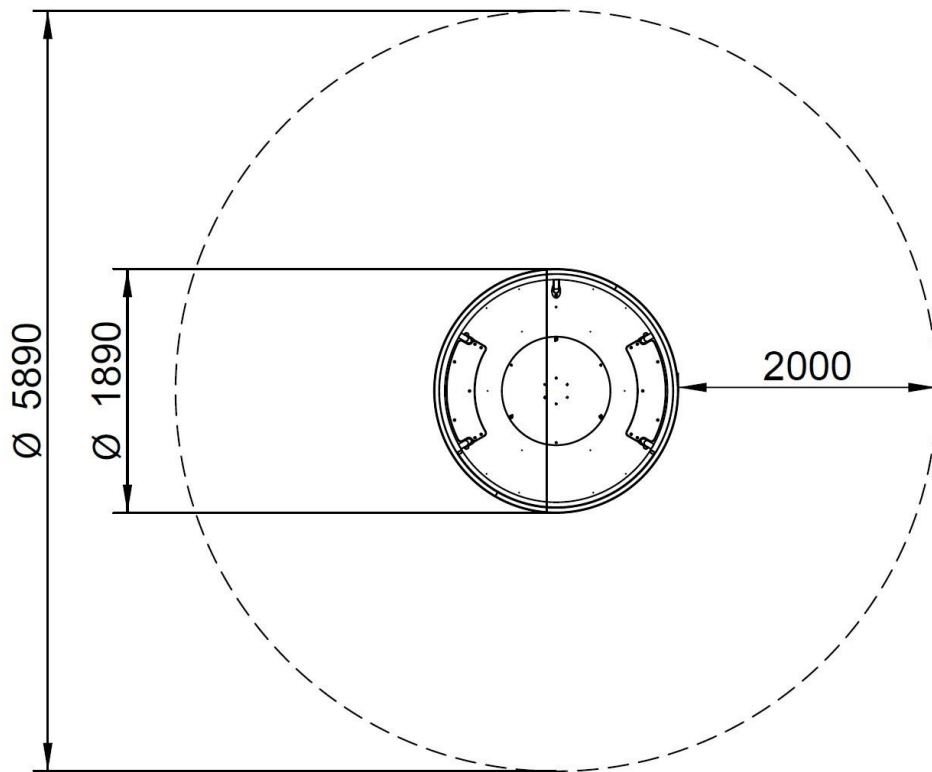


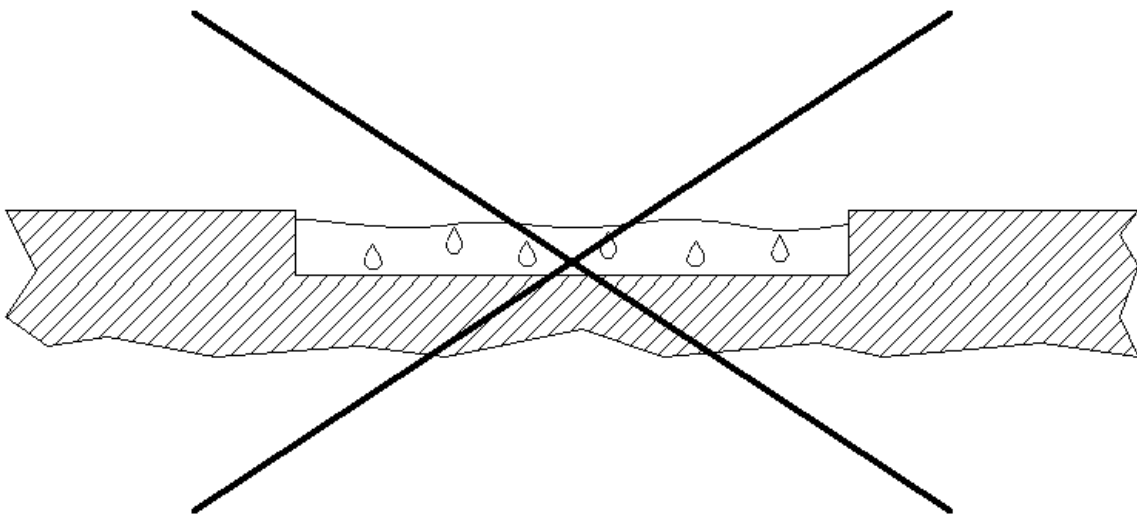
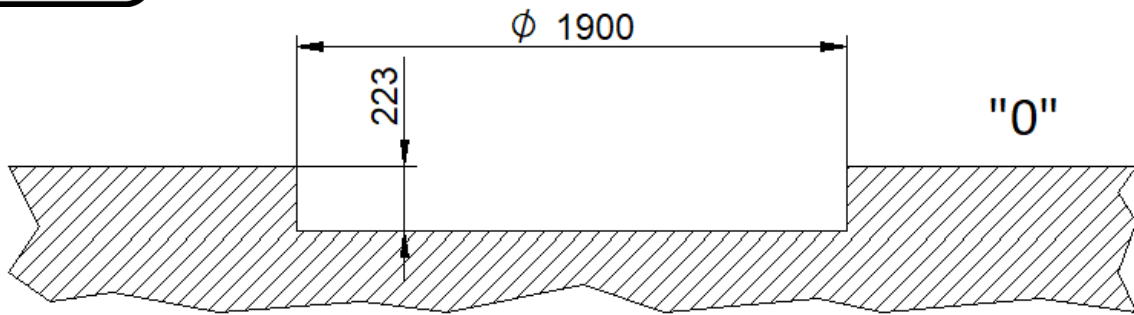
HEAVIEST PART



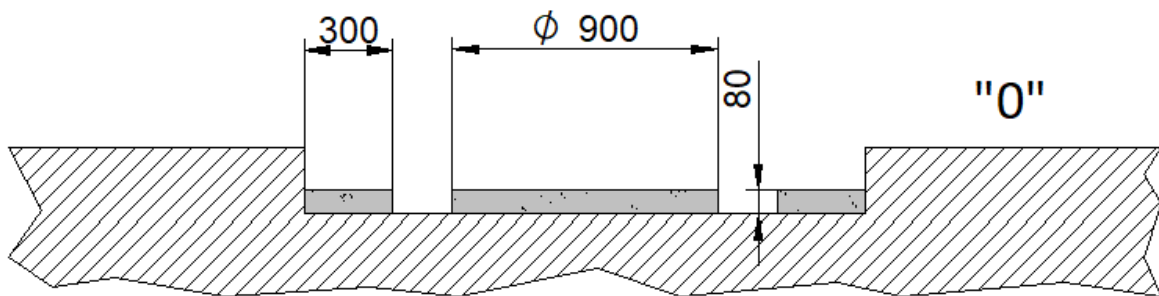
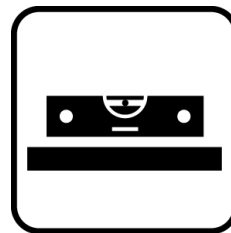
KG

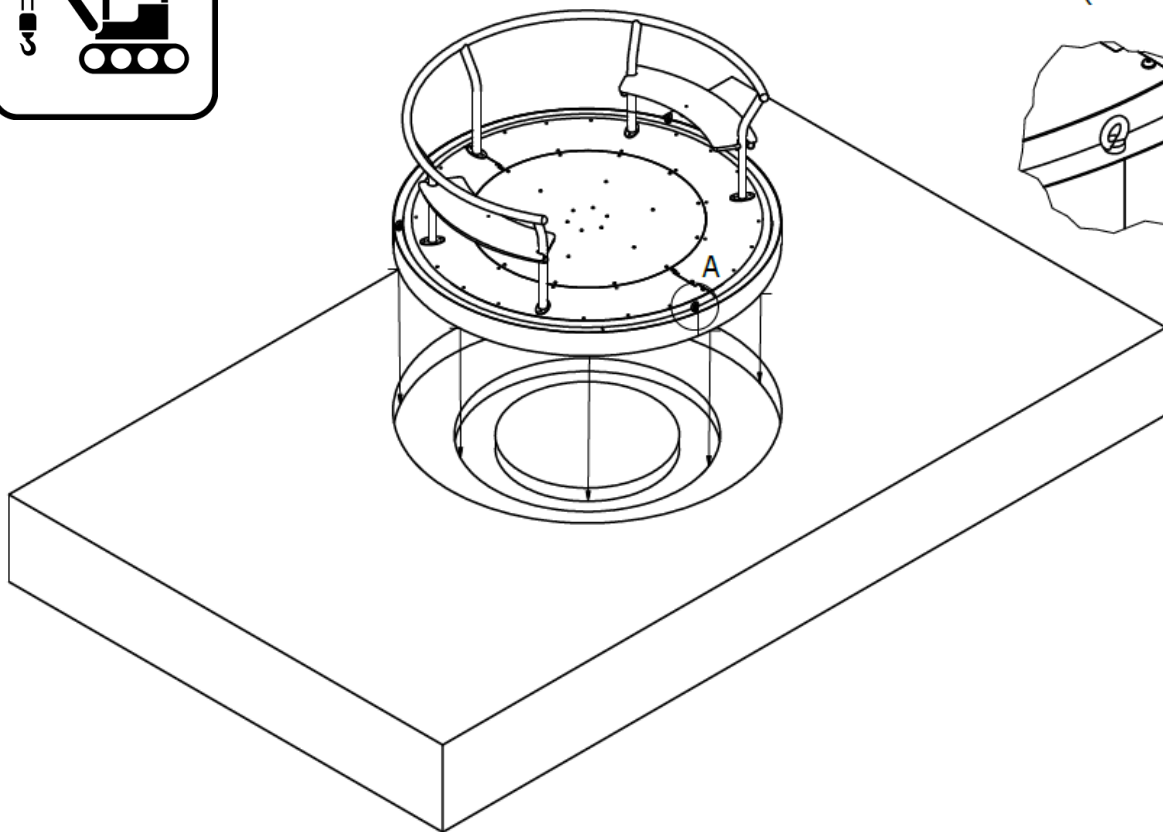
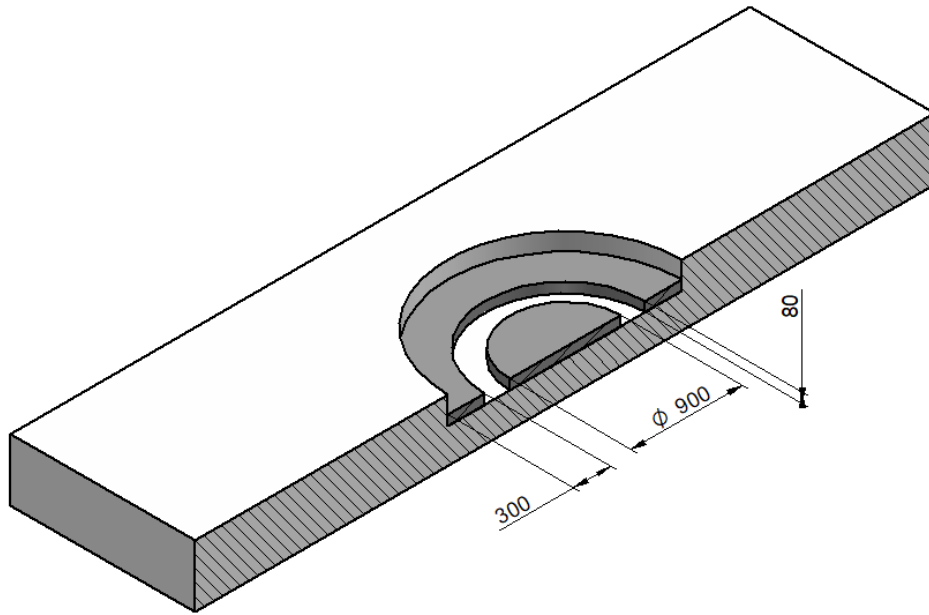
210



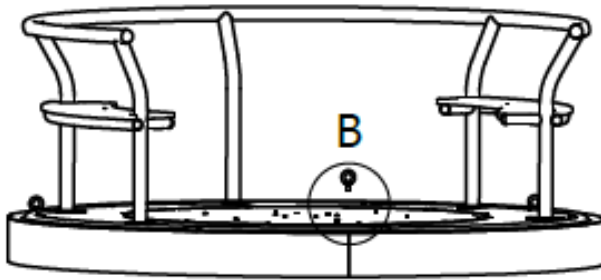
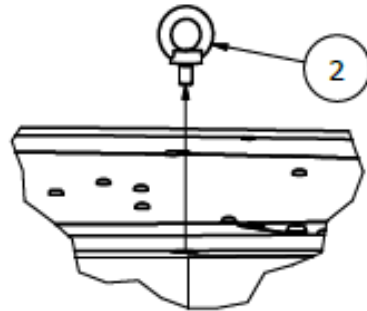


Dry concrete





B (1 : 5)



C (1 : 5)

