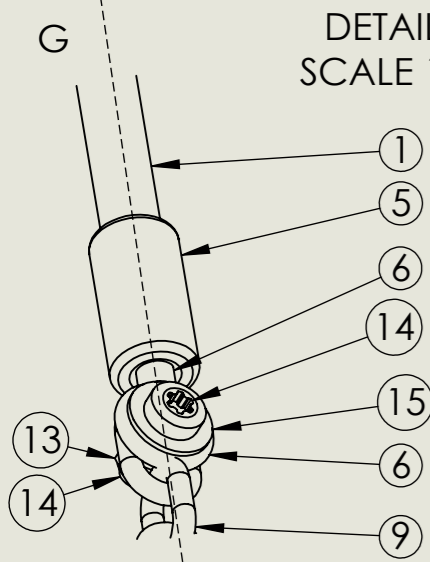
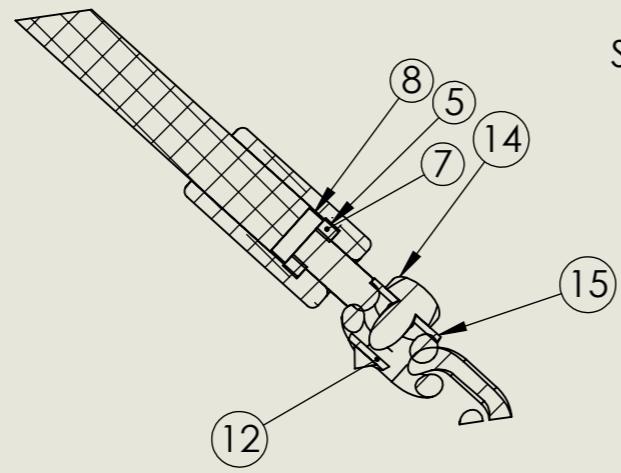


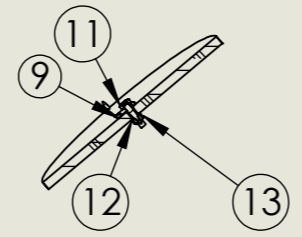
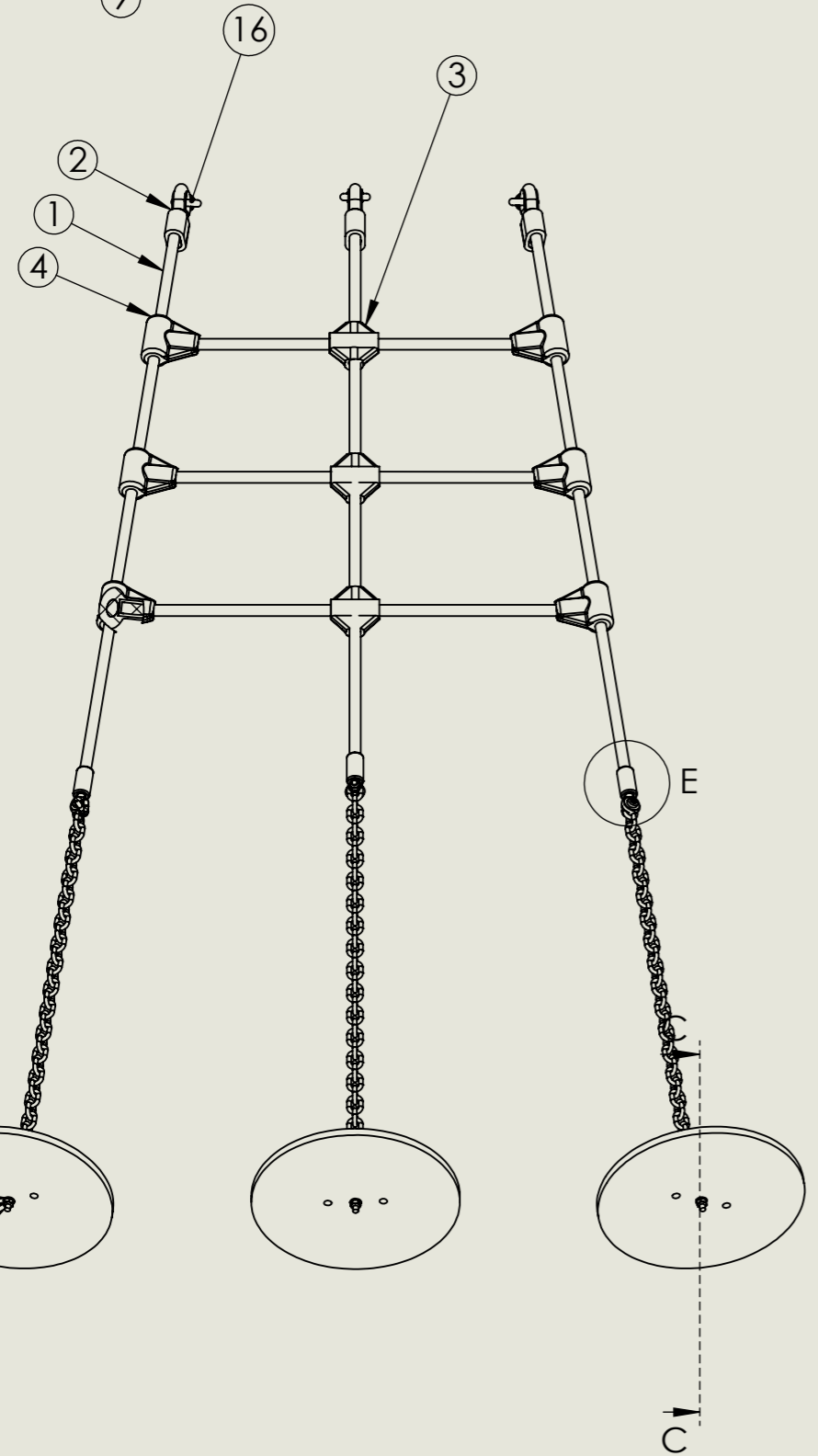
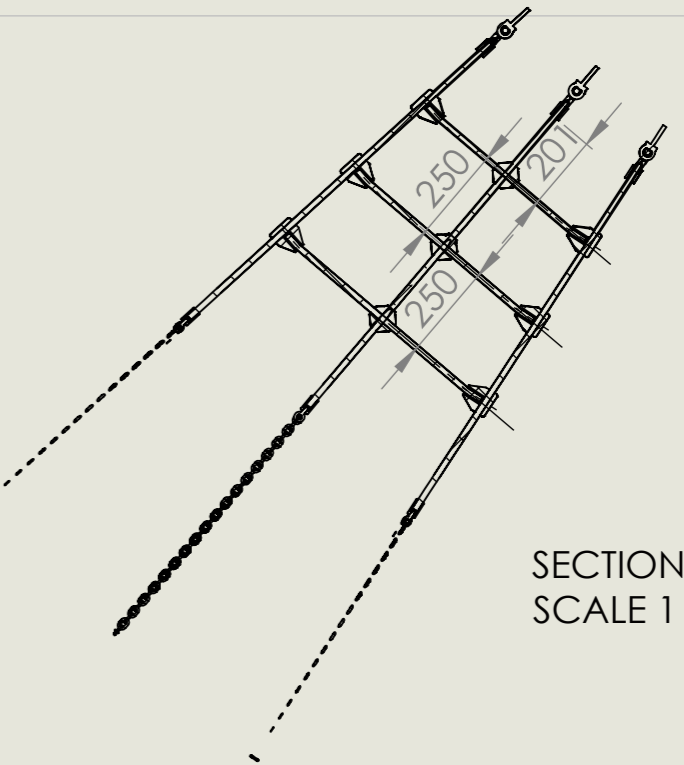
DETAIL E
SCALE 1 : 2



SECTION G-G
SCALE 1 : 2



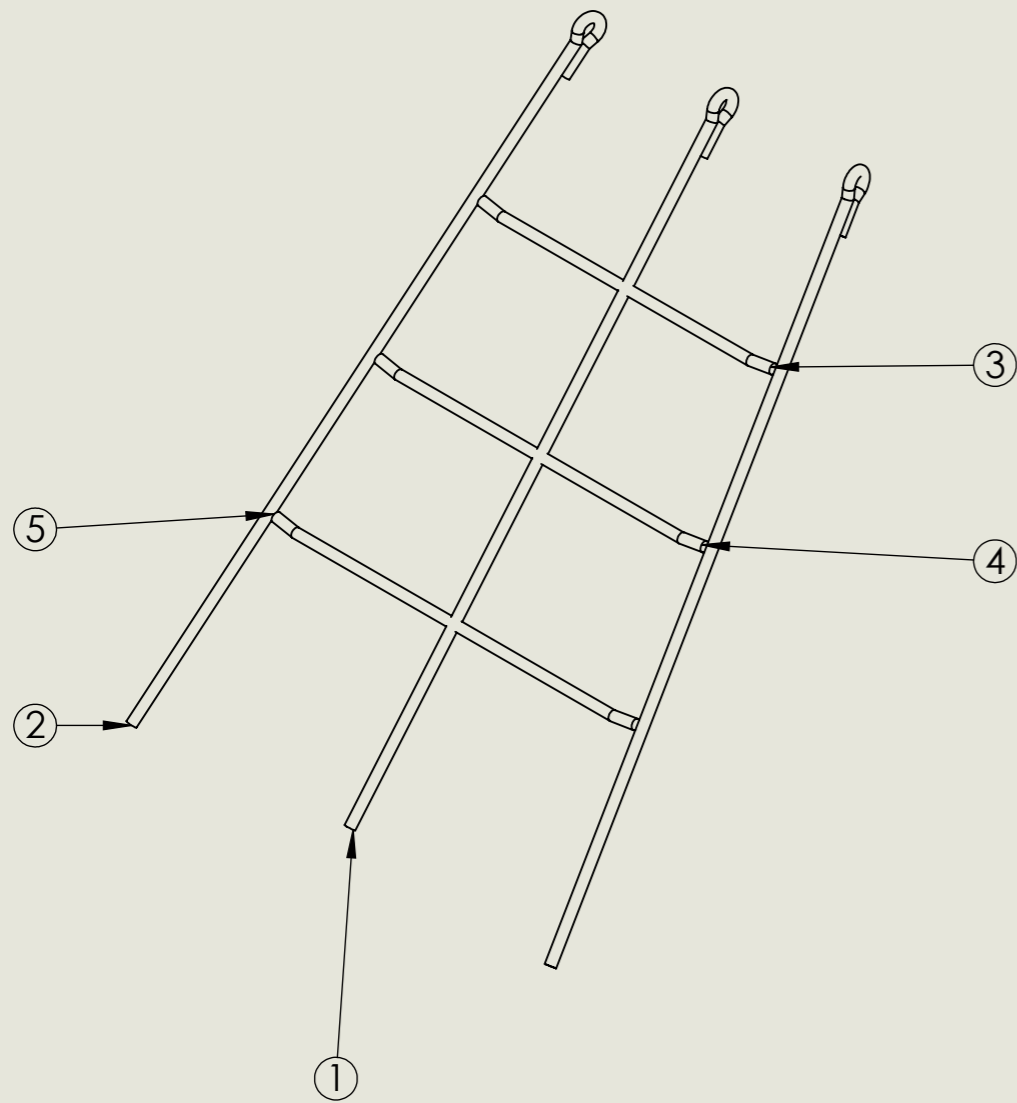
SECTION B-B
SCALE 1 : 20



ITEM NO.	PART NUMBER	SW-Configuration Name(Configuration Name)	Artnr	QTY.
1	Nett_skraa_950H	Default<As Machined>	02-500-108	1
2	Presshylse_Oval_lang(16-E)	Default	05-300-053	3
3	Plast_Krus	Black	05-301-012	3
4	Plast_T	black	05-301-014	6
5	Presshylse_KortForGj-stang(16-BK)	Default	05-300-056	3
6	oybolt_R28	M10x45	04-017-045	3
7	M10_mutter_polyfix	Default	04-047-010	3
9	Kjette_6mm	Med_kjetting_fund_75	00-601-005	3
10	Fundament_platte_3H	Hoh80	00-003-103	3
11	TorxM8	TXM8x35	04-000-035	3
12	Skive	M8	04-050-008	6
13	mutter_M8	M8_Borg	04-040-008	6
14	TorxM8	TXM8x25	04-000-025	3
15	Skive	M8_stor	04-055-008	3
16	Loftoy_TorpSove	med_fast_M10x60	04-017-204	3

Drawn	NAME	DATE	<h1>Søve AS</h1>	Grønnvoldveien 290 3830 Ulefoss Norway www.sove.no	
MTK	04.10.2018				
Approved			FileName: Nett_skraa_H950_inkl		
Revision	0	08 January 2024 09:32:02	Partname: Nett_skraa_H950		
Surface			Descr: Nett_skraa_H950		
Color			Artikelnr: 02-500-108	Config: Default	SHEET 2 OF 3
UNLESS OTHERWISE SPECIFIED: DIMENSIONS ARE IN MILLIMETERS			Material:	Weight: 5002.70	SCALE: 1:10 A3

ITEM NO.	QTY.	LENGTH
1	1	1217
2	2	1252
3	1	547
4	1	611
5	1	675



	NAME	DATE	Søve AS	Grønnvoldveien 290 3830 Ulefoss Norway www.sove.no	
Drawn	MTK	04.10.2018			
Approved			FileName: Nett_skraa_H950_inkl		
Revision	0	08 January 2024 09:32:02	Partname: Nett skrå		
Surface			Descr: Nett skrå		
Color			UNLESS OTHERWISE SPECIFIED: DIMENSIONS ARE IN MILLIMETERS		
		Artikelnr: 02-500-108	Config: Default<As Machined>	SHEET 3 OF 3	
		Material: PolyFix Tau	Weight: 1388.35	SCALE: 1:10 A3	