

DETAIL A
SCALE 1 : 2

ITEM NO.	PART NUMBER	SW-Config name	Artnr	QTY.
1	BroNett_trakt	Default<As Machined>	07-500-041	1
2	Presshylse_KortForGj-stang(16-BK)	Default	05-300-056	18
3	M10_gjengestang	M10x85	04-151-085	12
4	M10_mutter_polyfix	Default	04-047-010	18
5	Presshylse_Oval_lang(16-E)	Default	05-300-053	3
6	Plast_T	gronn	05-303-014	18
7	Presshylse_GlattKort(16-BK)	Default	05-300-060	18
8	oybolt_R28	M10x45	04-017-045	6
9	ForlengelseEkstrusi	Default	n/a	6
10	Kjette_6mm	34L_650	00-601-003	6
11	mutter_M8	M8_Borg	04-040-008	6
12	TorxM8	TXM8x25	04-000-025	6
13	Skive	M8	04-050-008	6
14	Plast_Krus	gronn	05-303-012	24
15	Skive	M8_stor	04-055-008	6

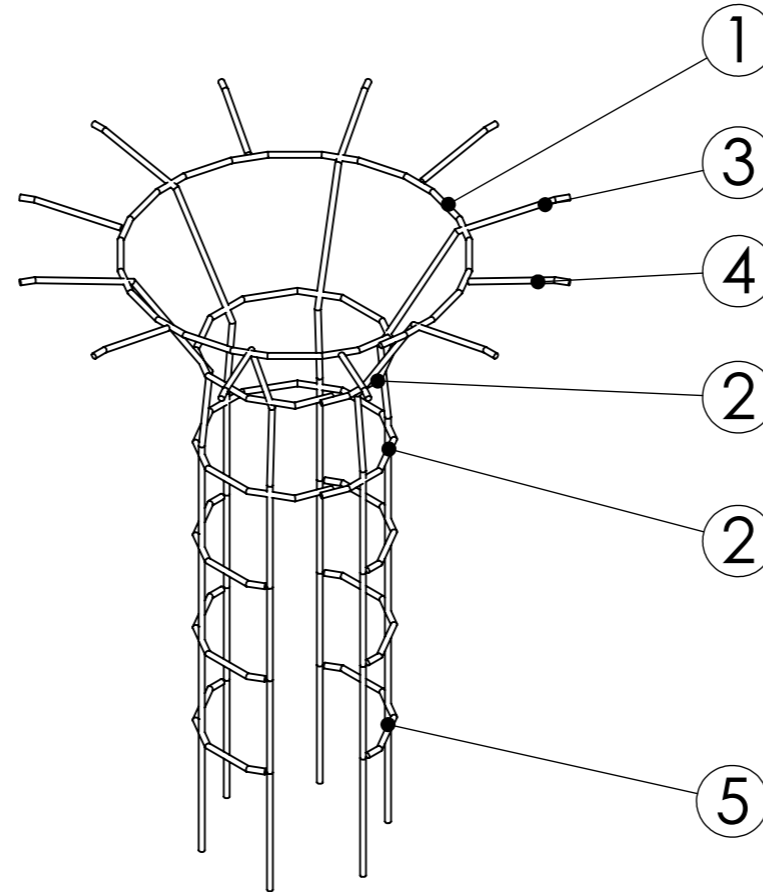
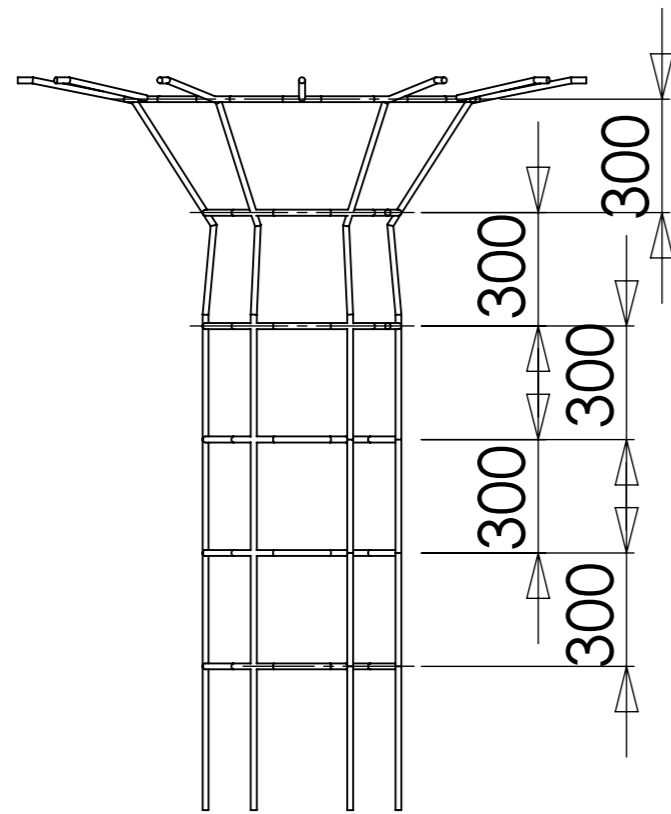
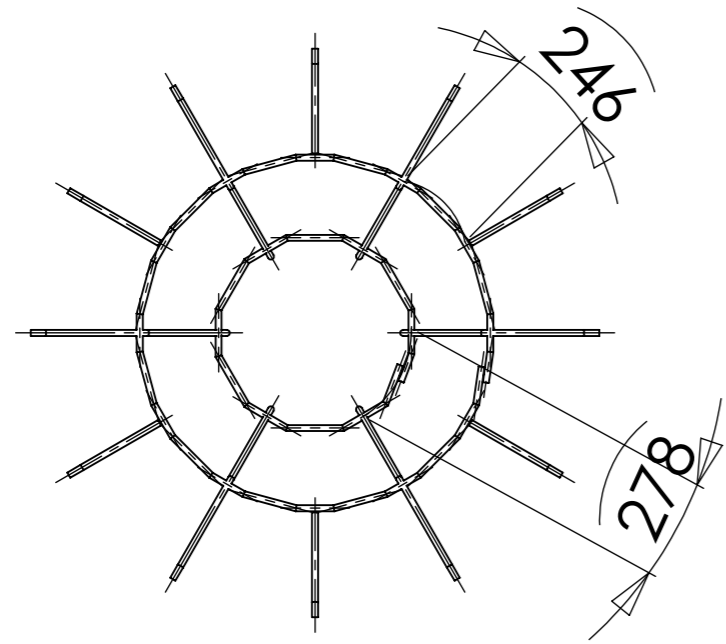
	NAME	DATE
Drawn	MTK	11/12/2012
Checked
Revision	...	15 August 2019 10:26:36
Surface	...	
Color	...	

Søve Lekemiljø AS

Grønnvoldveien 290, 3830 Ulefoss
Tel: +47 35 94 65 65 Postmaster@sove.no
Fax: +47 35 94 65 60 www.sove.no

TITLE:	Artikelnr: 07-500-044
Partname broNettRundgang_sjakt	SW-ConfigName: Green
FileName: broNettRundgang_sjakt	
Material	WEIGHT:





ITEM NO.	QTY.	LENGTH
1	1	3010
2	2	1720
3	6	2267
4	6	282
5	6	531

NAME	DATE	Søve Lekemiljø AS	
Drawn	MTK		
Checked	...	Tel: +47 35 94 65 65 Postmaster@sove.no	
Revision	...	Fax: +47 35 94 65 60 www.sove.no	
Surface	...	TITLE:	Artikelnr: 07-500-041
Color	...	Partname BroNett_trakt	ConfigName: Default<As Machined
UNLESS OTHERWISE SPECIFIED: DIMENSIONS ARE IN MILLIMETERS		FileName: broNettRundgang_sjakt	SHEET 3 OF 3
		Material PolyFix Tau	WEIGHT: 6.3
			SCALE: 1:20 A3

