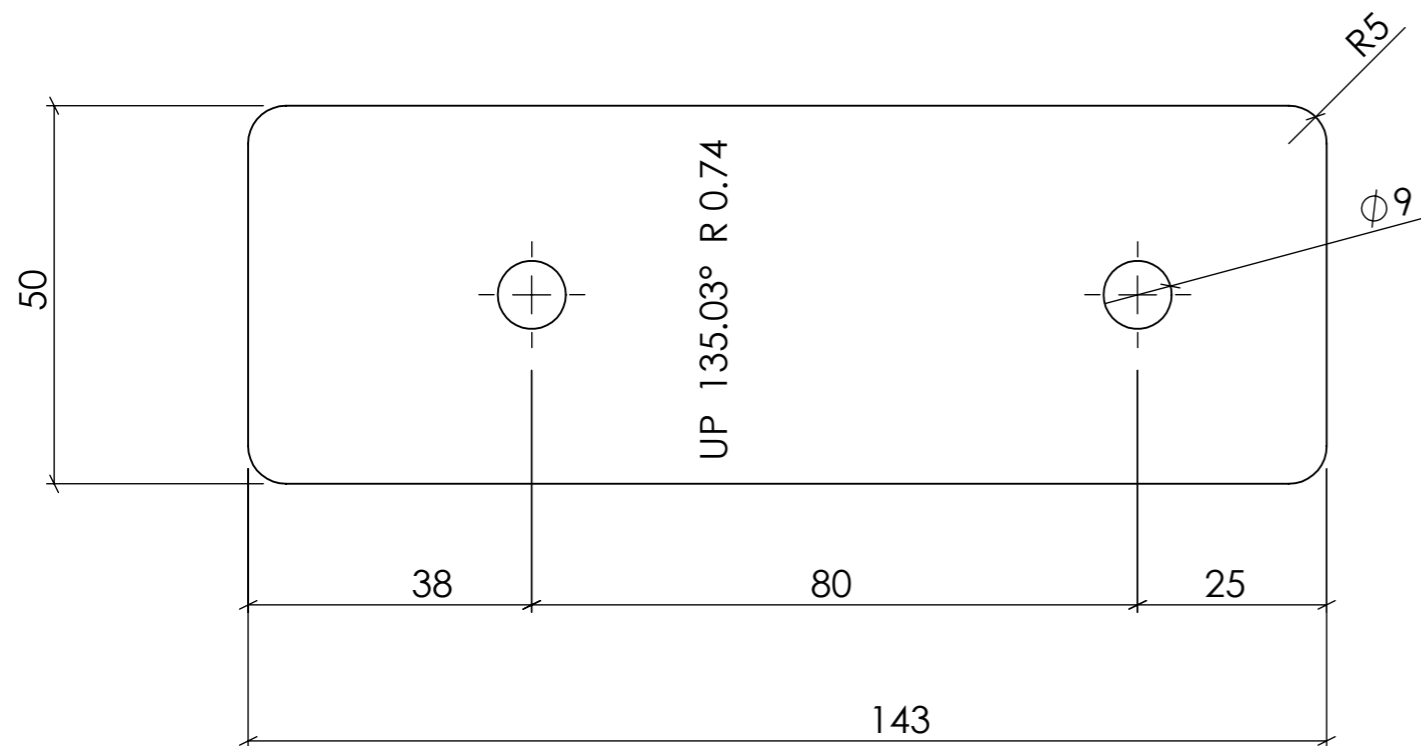
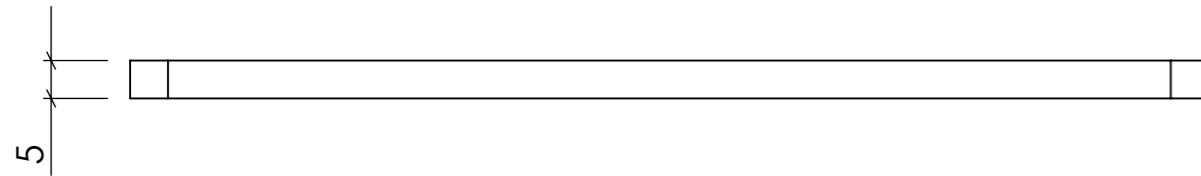
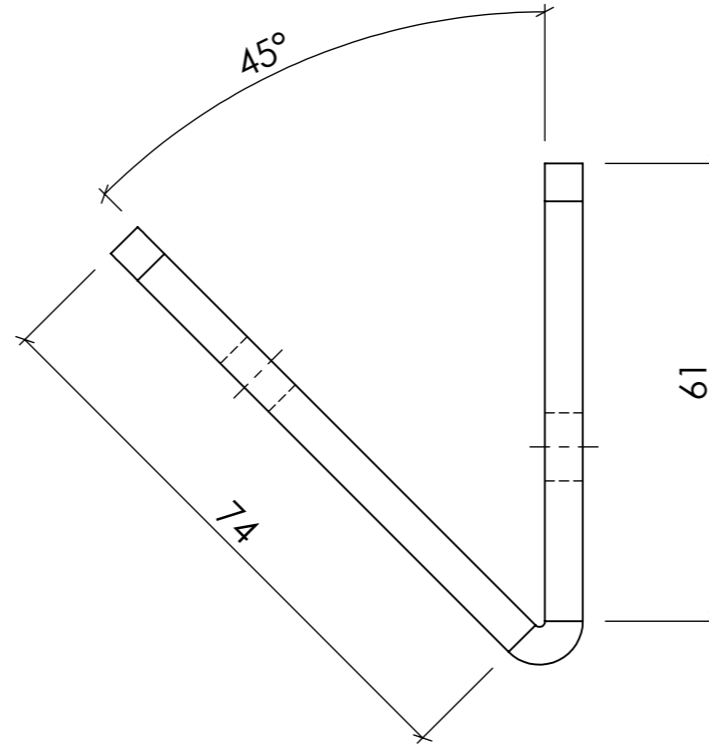
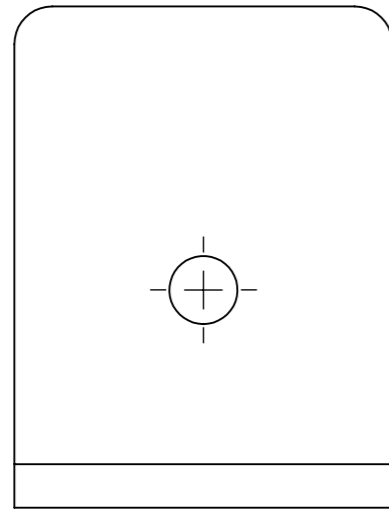

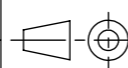
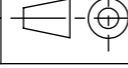


Alle kanter og hjørner skal grades



	NAME	DATE	<h1>Søve AS</h1> <p>Grønnvoldveien 290 3830 Ulefoss Norway www.sove.no</p>		
Drawn	MTK	28.10.2021			
Approved					
Revision	0	28 October 2021 11:24:44	FileName: Beslag_front_11-400-121		
Surface			Partname: Beslag portal 11-400-121		
Color			Descr: Beslag portal 11-400-121		
UNLESS OTHERWISE SPECIFIED: DIMENSIONS ARE IN MILLIMETERS			Artikelnr: 02-500-118	Config: Rustfritt	SHEET 1 OF 2
			Material: A4	Weight: 280.24	SCALE: 1:1 A3