

# **INSTALLATION GUIDE & MAINTENANCE**

**MOV-T003-3**

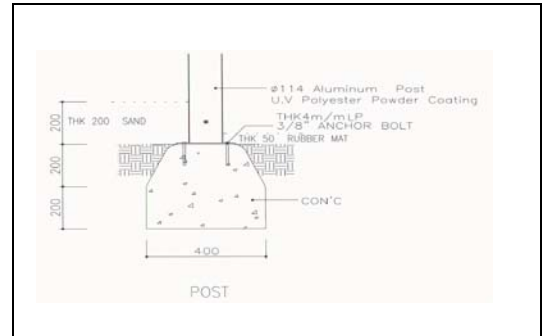
## STANDARD INSTALLATION

1. These equipments are acquired a safety ground surface such as Rubber mat or impact-absorbing material under and all around play equipments.
2. Accessible Routes (Reference)  
A ground-level accessible route connects play components at ground level.
  - 60 inches (1525mm) minimum clear width
  - 1:16 maximum slopeSmaller play areas (Less than 1,000square feet (304.8 square meter))
  - 44 inches (1120mm) clear width
3. Make sure you have a playground layout drawing and footing details.
4. Concrete will need at least 3days to fully cure and site must be prepared and leveled.
5. First, you should make sure you have everything for your shipment.
6. Suggested tool lists
  - Tape Measure
  - Felt Tip Pen
  - 1 Rubber hammer
  - 1 Roll of String
  - Pliers
  - 14mm x 17mm Ratchet wrench
  - Extension cord
  - Power source
  - Concrete (in ground)
  - Adjustable Wrenches
  - Ladders
  - Spanner
  - Ratchets for 8mm
  - Digger equipment (Shelves, or Heavy equipment)
  - Electric Drill
  - Electric Impact Drill
  - 4mm Allen Wrench
  - Bolt Cutter

## Basic Installing method

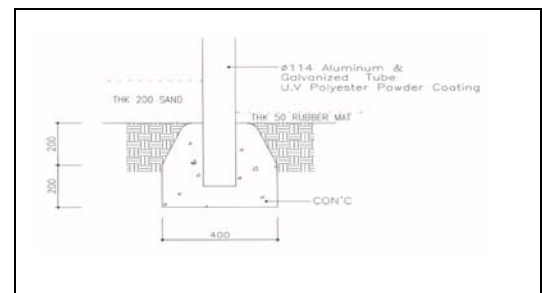
### \*Footing (Surface mount)


1. Draw line as footing layout drawing.
2. Make sure the ground level of site.
3. Assemble Deck with posts.
4. Adjust right position.
5. Assemble Climbers (i.e. Arched climber, Chain climber, etc.)
6. Assemble Slides.
7. Assemble Panel.
8. Make sure the anchoring of all equipment.
9. Tighten all bolts and nuts.



### \* Footing (Inground)

1. Make sure the ground level of site.
2. Draw line as footing layout drawing.
3. Dig ground.
4. Bury concrete cube.
5. Assemble Deck with posts.
6. Adjust right position.
7. Assemble Climbers (i.e. Arched climber, Chain climber, etc.)
8. Assemble Slides.
9. Assemble Panel.
10. Make sure the anchoring of all equipment.
11. Tighten all bolts and nuts.



 **CAUTION:** In order to provide a safety environment, always install an impact-absorbing material under and all playground equipment.



PART NAME :

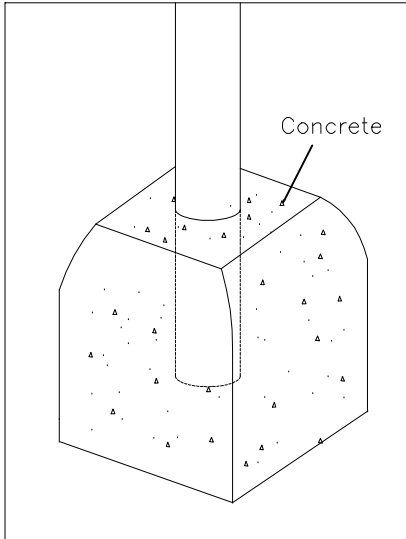
FOOT (UNDER THE GROUND)

SCALE : 1 / 30

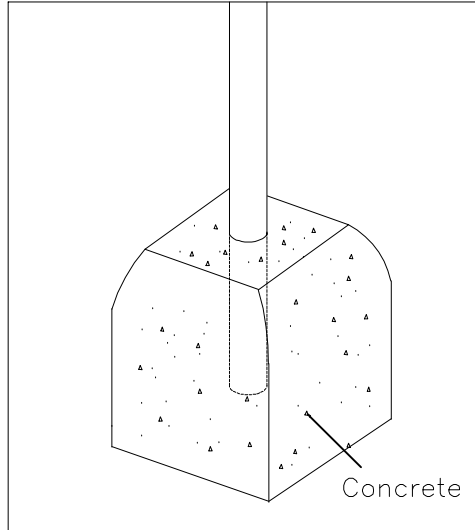
PART NO :

FOOT-C-INS1

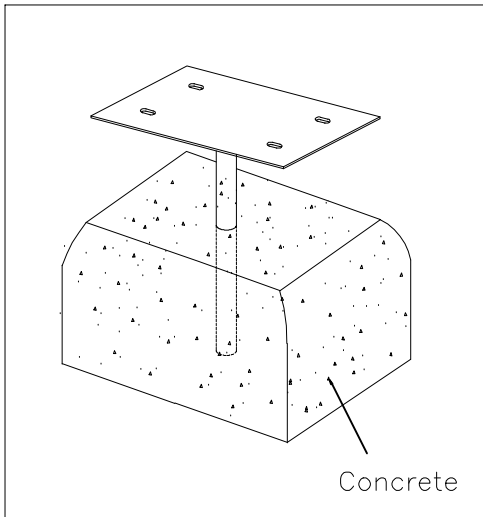
FOOT (ø114 post use)



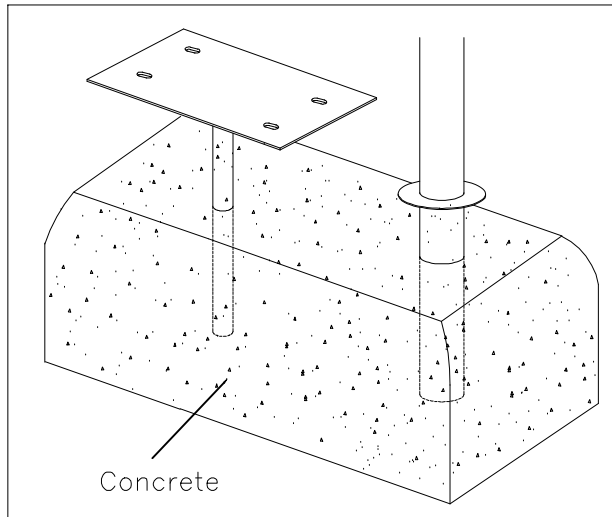
FOOT(climber, support bar use)



FOOT (slide or tube slide use)



FOOT (spiral slide use)



\* It is the method that the foot is in the concrete with mold.



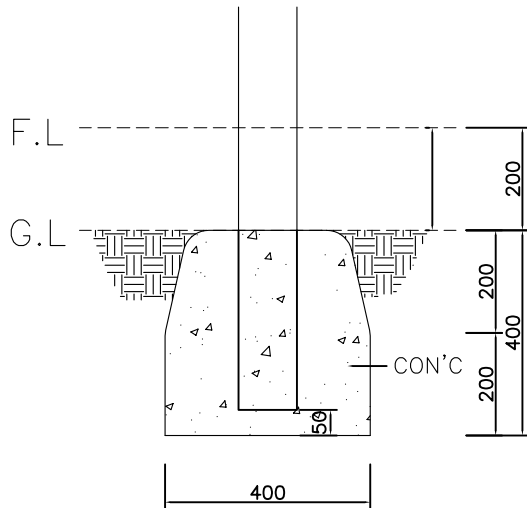
PART NAME :

FOOT (UNDER THE GROUND)

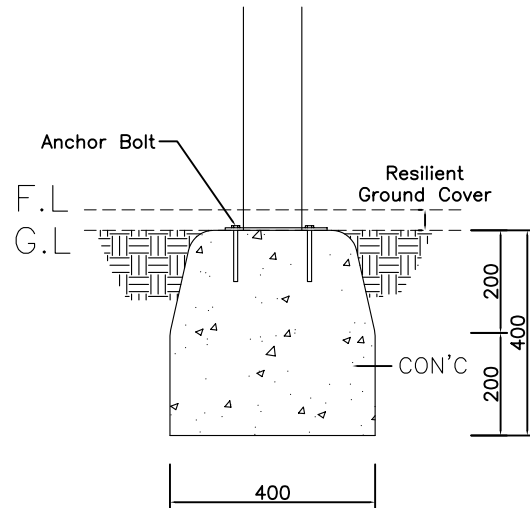
PART NO :

FOOT-C-INS2

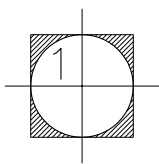
### In-Ground Method



### Anchor Bolt Method

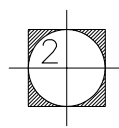


### POOT BASE1



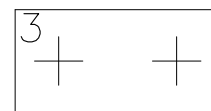
400x400x400  
( $\phi$ 114 post use)

### POOT BASE2

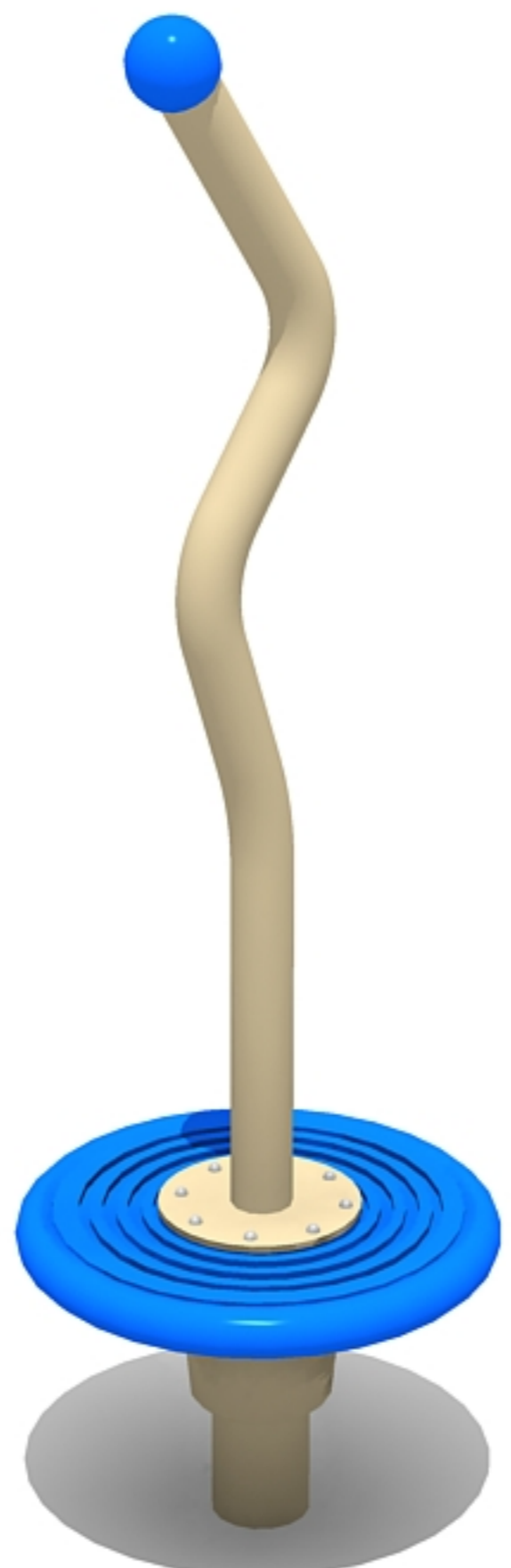


300x300x400  
(climber, support bar use)

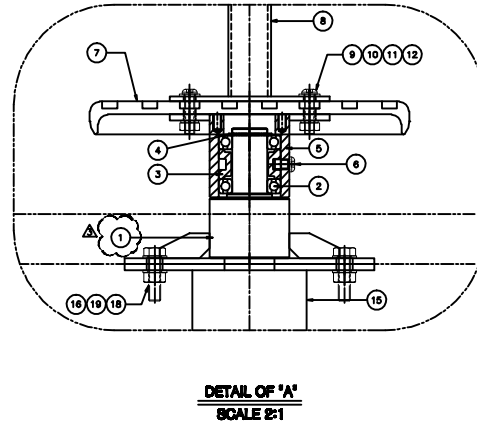
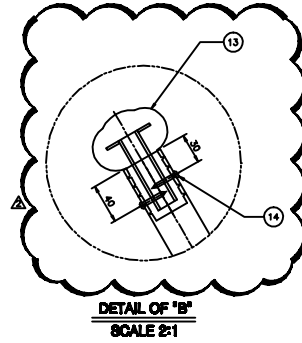
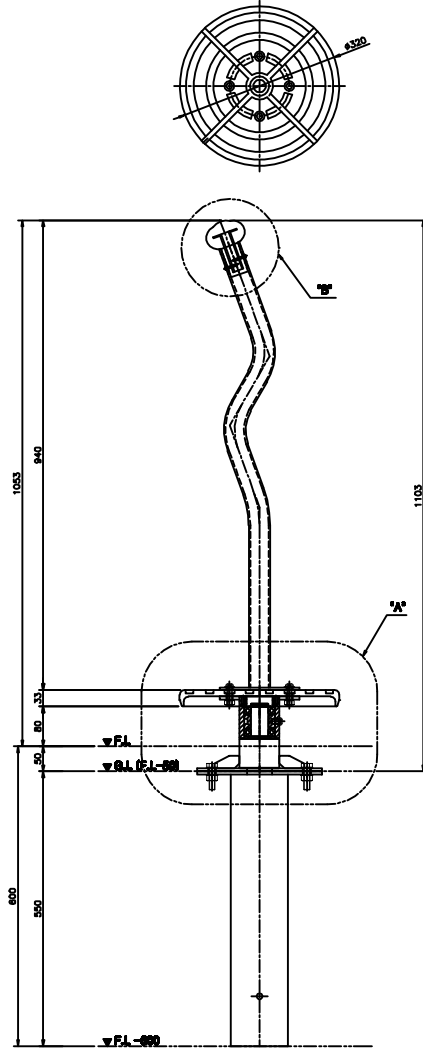
### POOT BASE3



400x800x250  
(spiral slide use)



# 06-44 MOV-T003-3 (INGROUND-600)



치수 허용 오차	치수 구분	J	Ⓚ	L	M	N	각도		발구매
							MN		
	100이하	0.05	0.2	0.3	0.5	0.7			
	10초과 300이하	0.1	0.3	0.5	0.8	1.2			
	30초과 500이하	0.2	0.4	0.6	1.1	2.0			
	50초과 1500이하	0.3	0.6	0.8	1.4	2.5			
	150초과 3000이하	0.4	0.8	1.0	1.7	3.5			
	300초과 5000이하	0.6	1.2	1.5	2.0	4.5			
	5000상	0.8	1.6	2.0	2.5	6			

소요량	QUANTITY	품번	품명	재료 규격	규격 및 도번	비고
		ITEM	DESCRIPTION	MATERIAL	SPECIFICATION	REMARK
	1	01	SUPPORT	SS400	00AA0532	
	2	02	BEARING	-	00CA0002-46	6007ZZM
	1	03	COLLAR	S45C	00PA0936	
	1	04	축용 C형 멈춤링	SK5M	00CA0003-15	S35
	1	05	HOUSING	S45C	00AA0538	
	2	06	TORX BOLT	STS304	00CB0004-20	M10x15L
	1	07	FOOT PLATE PAINTING	AC4C	00PA0298	
	1	08	HANDLE	STS304	00AA0541	
	4	09	TORX BOLT	STS304	00CB0004-25	M10x40L
	4	10	PLAN WASHER	STS304	00CB0002-10	M10
	4	11	SPRING WASHER	STS304	00CB0007-10	M10
	4	12	LOCK NUT	STS304	00CB0001-10	M10
	1	13	32A CAP	URETAN	00PA0941	
	2	14	남비머리 태핑나사	STS304	00CB0019-02	#4x25L
	1	15	UNDERGROUND FOOT	SS400	00AA0535	
	4	16	HEXAGON HEAD BOLT	STS304	00CB0006-42	M12x45L
	4	17	HEXAGON NUT	STS304	00CB0008-12	M12
	4	18	PLAN WASHER	STS304	00CB0002-12	M12

**NOTE**

- 남비머리 부분 밀어 넣어 제거 할 것.
- 지지 없는 모서리 C1 로 할 것.
- G.L 옆에 부분(품번 10)을 매설시작만 사용함.
- 품번1과 16에 조립되는 볼트(16,17,18)는 양자시작은 양자 볼트로 대체됨.

정  
개  
CHANGE  
나구형 태핑머리용 볼트  
2014.04.04  
볼트  
2014.05.08 J.S.MOON  
SHAFT 외경용으로 변경.  
2016.04.07 J.S.MOON

<b>Uwon Lead CO.LTD</b>				<b>U PLAY(TEENAGER PARK)</b>	
삼각법 3RD ANGLE PROJECTION	SCALE 1/8	도면 DIMENSION	위차 DATE	작성 2011.04.04	품명 TITLE
제 DRAWN	도 DESIGNED	검 CHECKED	승 APPROVED	인	도면번호 DWG. NO.
<b>J.S.MOON</b>					<b>FLY ROUND 3</b>
					<b>MOV-T003-3</b>
					관련도번 REF. NO.

## Playground Maintenance Information

SITE NAME:

SITE ADDRESS:

PLANNED BY:

ADDRESS:

PHONE:

### *EQUIPMENT INFORMATION*

MANUFACTURE:

SALES REPRESENTATIVE: 1

ADDRESS:

PHONE:

SALES ORDER NUMBER

DATE OF PURCHASE:

### *INSTALLATION INFORMATION*

INSTALLED BY:

ADDRESS:

PHONE:

DATE OF INSTALLATION:

### *INSPECTION INFORMATION*

DEPARTMENT IN CHARGE

OF INSPECTION:

INSPECTION

FREQUENCY REATE:  Daily  Weekly  Monthly



# MAINTENANCE

Your playground had been designed using the highest quality materials. It is a highly active structure that has been engineered, manufactured and installed for the utmost safety of the user. For this reason, it will require routine inspection and maintenance. Certain heavily used areas and features will wear faster than others. The key to operating a fun, safe and clean playground is to be constantly looking over the equipment during your daily and weekly cleaning.

## **Routine Maintenance**

Consists of tasks are performed on regularly scheduled basis. This may be daily, weekly or monthly. These tasks are more custodial in nature.

*Daily/ Weekly Visual Inspection:* Owner, maintenance inspector, caregiver, or customer on a daily basis shall carry out a visual inspection, if possible, or at least once a week, to identify defect or emerging problems. For example, litter pick-up, sweeping walkways or raking out foreign matter and leveling wood chips or sand.

## **Preventative Maintenance**

### Daily

1. Loose Bolts or other hardware
2. Surface Flooring gaps or trip hazards.
3. Anything tied to or added onto equipment
4. Unrelated hazards; i.e., broken glass or any other sharp objects

### Weekly

1. Check damaged equipment: i.e., broken or missing components of equipment or other playground damage caused by vandalism or wear.
2. Check any broken or missing handrails, guardrails, protective barriers, or rung or ladder.
3. Check and replace if necessary swing “S” hooks.
4. Repair plastic coating
5. Paint touch-up to slow deterioration of metal components
6. Tighten hardware.

## Monthly

1. Tighten all nuts and bolts.
2. Detailed inspection shall be carried out every month.

## Other general safety points include:

- No openings on playground equipment should be more than 3 1/2 inches or less than 9 inches where children's heads or bodies could be trapped.
- There should be no v-shaped openings or open areas close to the top of slides where strings or ropes could get caught and cause strangulation.
- Cushioned surfaces should be placed in the fall zone for play equipment. Asphalt, cement, dirt, grass and large rocks are not appropriate surfaces. Nearly 70 percent of all playground injuries are related to falls to the surface.
- There should be no more than two swings in a bay or support structure. Those swings should be at least 24" apart at the seat base and be 30" from the side supports.
- All S-hooks should be closed. Mechanisms on teeter-totters and other equipment where fingers could get pinched should be closed.

### Routine Maintenance Checklist

Your playground had been designed using the highest quality materials. It is a highly active structure that has been engineered, manufactured and installed for the utmost safety of the user. For this reason, it will require routine inspection and maintenance. We recommend this to be done on a daily basic.

CLIENT NAME \_\_\_\_\_

SITE NAME \_\_\_\_\_

INSPECTOR \_\_\_\_\_

DATE \_\_\_\_\_

EQUIPMENT and CATEGORIES	O K	ACTION TAKEN	DATE COMPLETE	REPAIRS OK
<b>A. All COMPOSIT STRUCTURE</b>				
1. Stability in ground/fitting				
2. No rust or corrosion				
3. Entanglement points/areas				
4. Faster are tight				
5. No missing bolt and nut, etc.				
6. Missing hardware (fastener for Clamp				
7. No broken or missing parts				
8. No sharp point and edges				
9. No pinch, crush, sheer points				
10. All Joints are safety				
11. No cut or cracked on plastic				
12. Wood cracking, Max 19mm				
13. Caps/Plugs				
14. Chains				
15. "S" hook				
<b>B. Swing</b>				
1. Swing Seats				
2. Swing chains and "S" hooks				
3. Ground clearance				
<b>C. General Site Condition</b>				
1. Pathways				
2. Border around playground				
3. Area is clean. (No littler or broken glass, etc.)				

