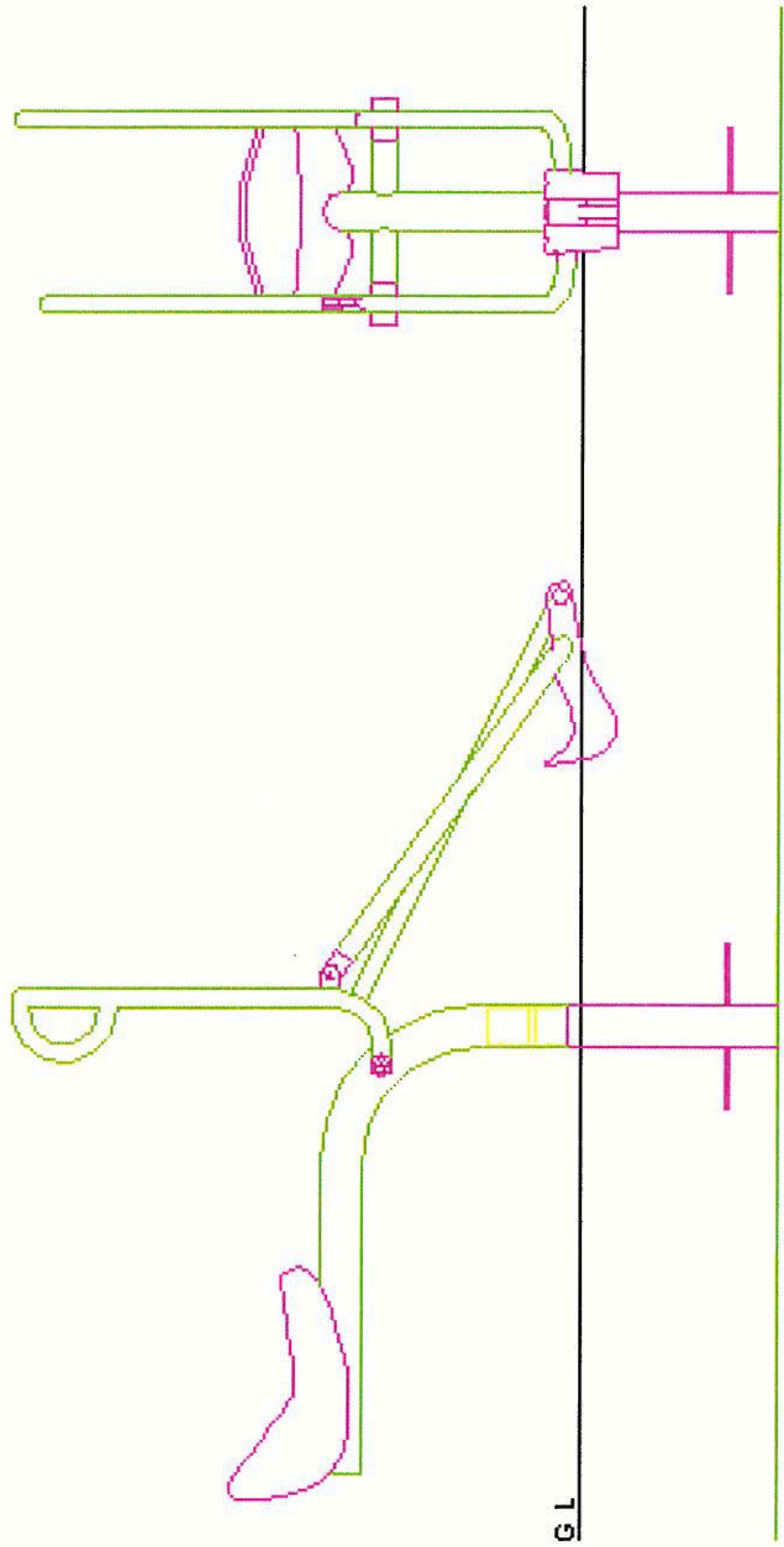
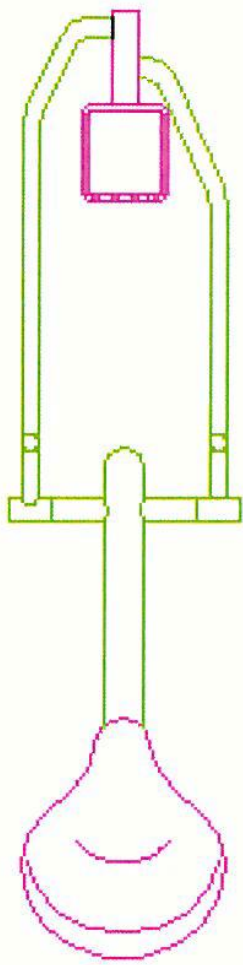




DIGGER(UJ-CA02)



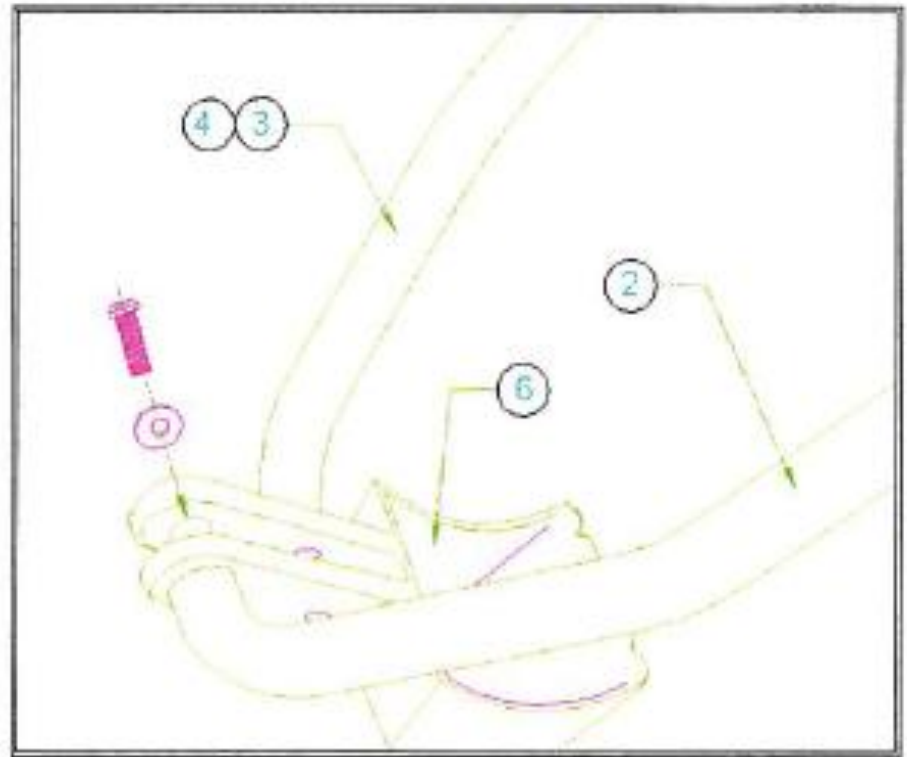
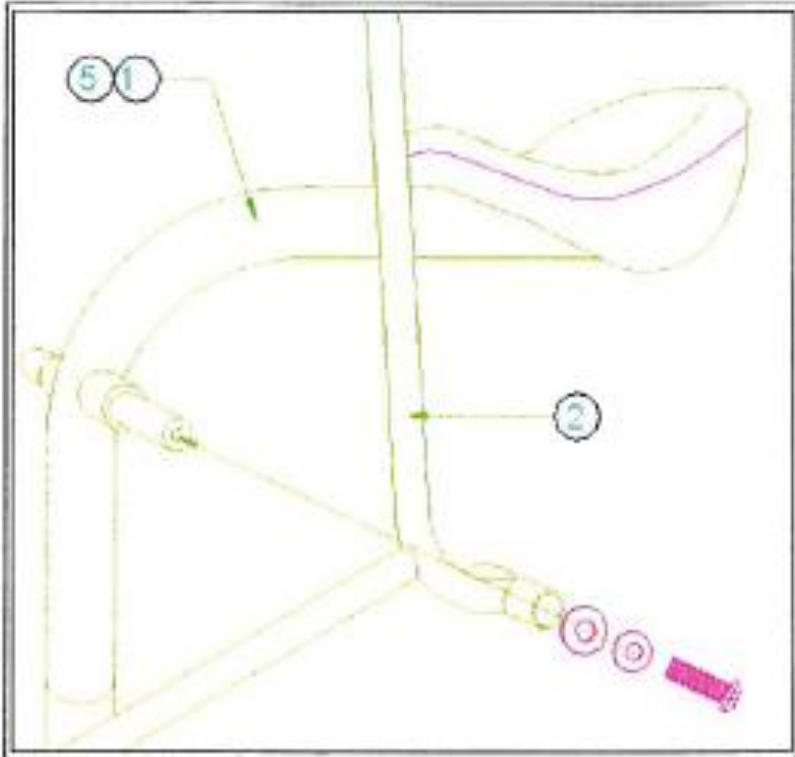


PART NAME :

DIGGER

PART NO :

NO-03



NO	NAME	QTY	NO.	NAME	QTY
①	FOOTING POST				
②	ARA1				
③	ARM2				
④	ARM2-1				
⑤	SEAT POST				
⑥	BASKET				
⑦	BOLT&NUT&WASHER				

NOTE

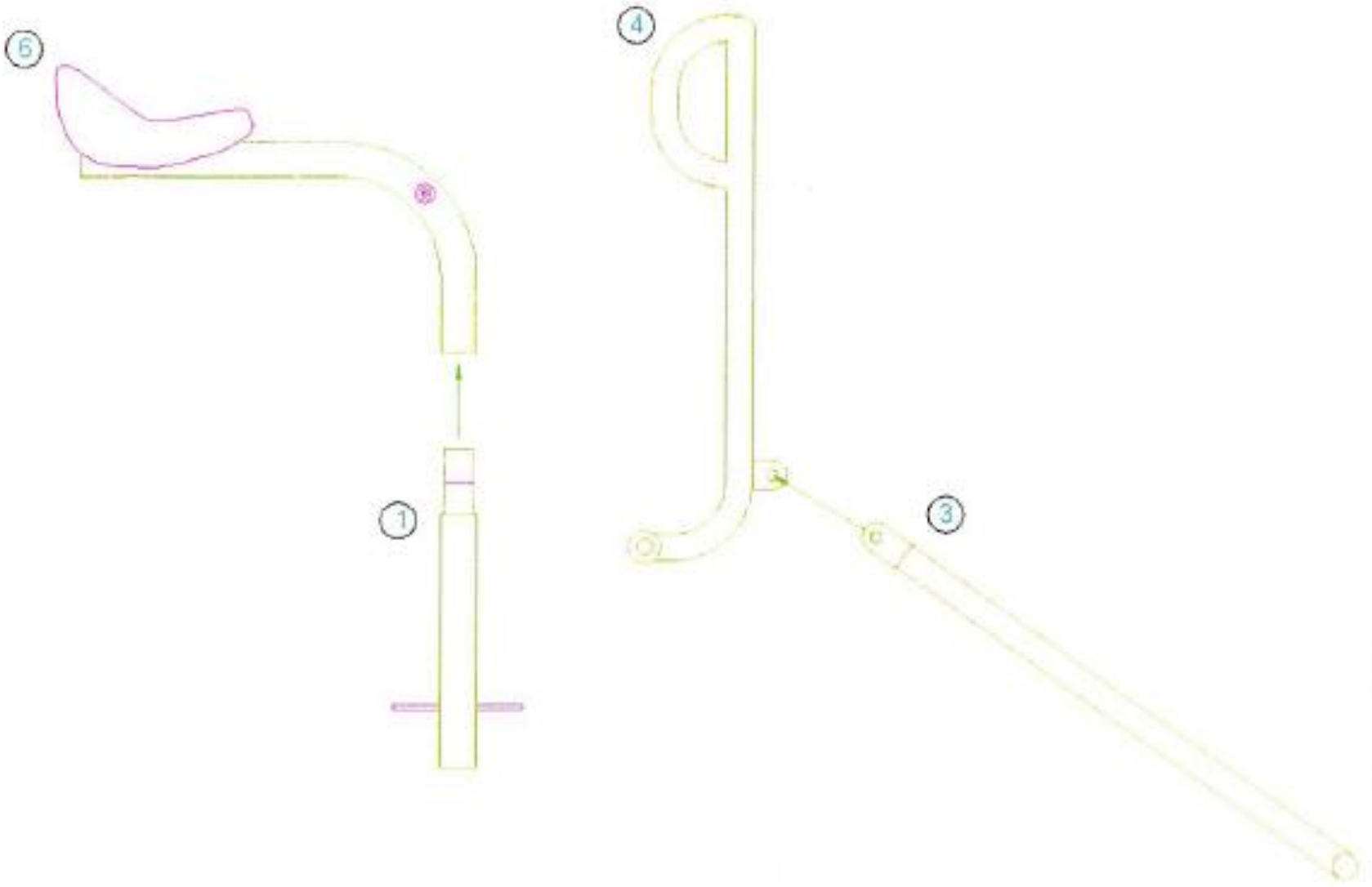


PART NAME :

DIGGER

PART NO :

NO-02



NO		NAME	QTY	NO.	NAME	QTY
①		FOOTING POST				
②		ARA 1				
③		ARM2				
④		ARM2-1				
⑤		SEAT POST				
⑥		BASKET				
⑦		BOLT&NUT&WASHER				

NOTE



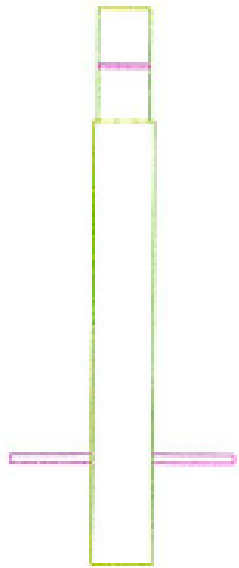
PART NAME :

DIGGER

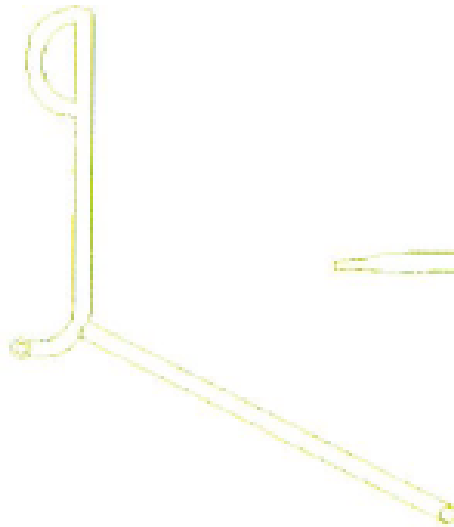
PART NO :

NO-01

①



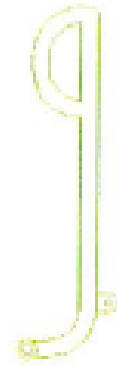
②



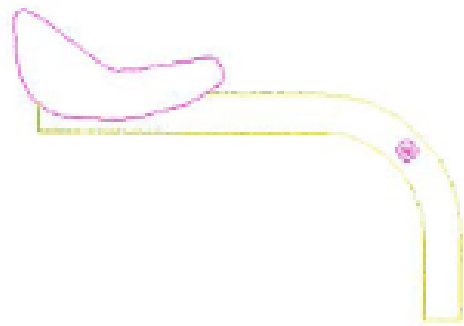
③



④



⑤



⑥



⑦



NO.	NAME	QTY	NO.	NAME	QTY
①	FOOTING POST				
②	ARA1				
③	ARM2				
④	ARM2-1				
⑤	SEAT POST				
⑥	BASKET				
⑦	BOLT&NUT&WASHER				

NOTE

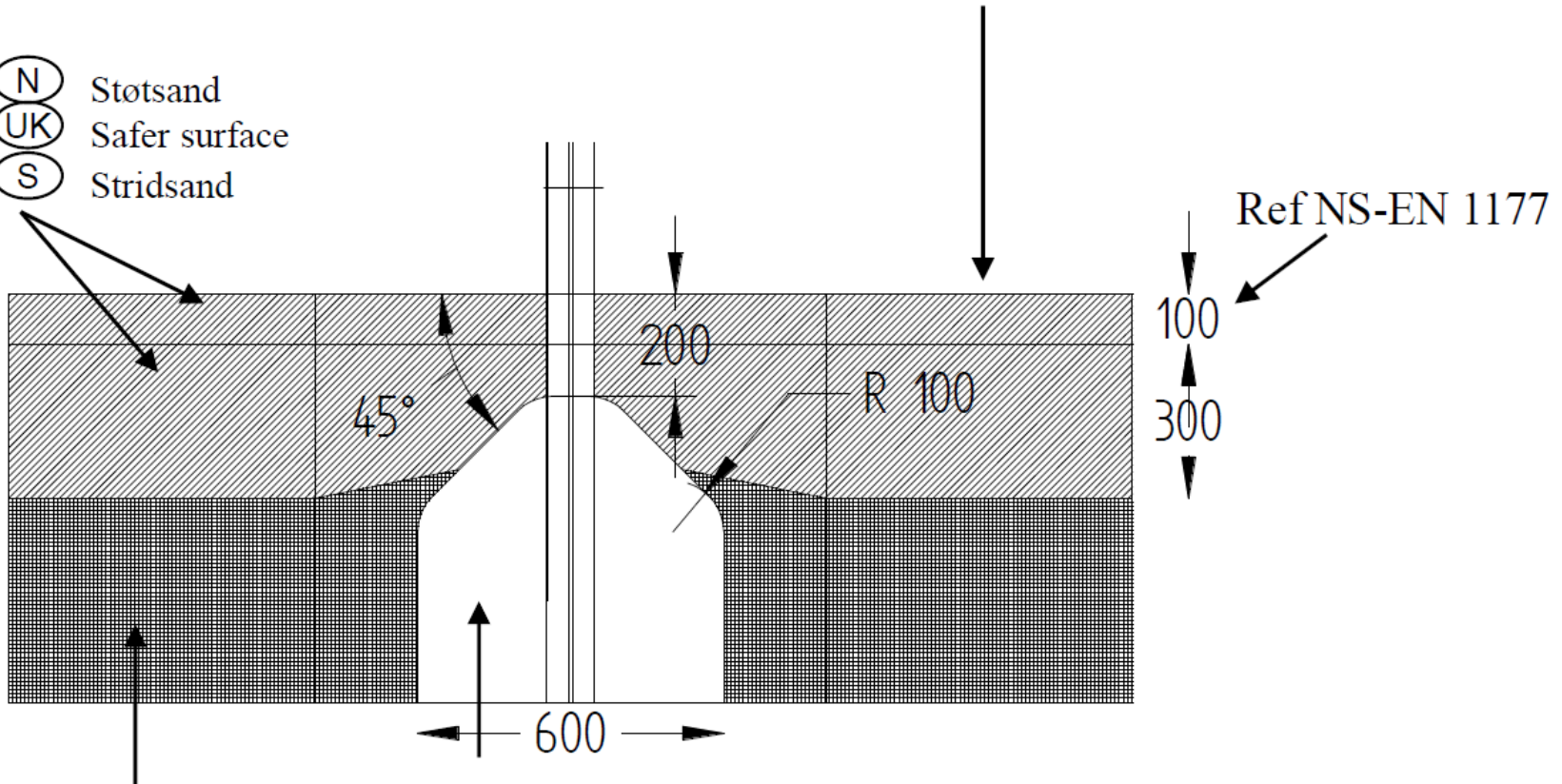


Fundamentering med betong / Foundation concrete / Förankring med betong



N Bakkenivå
 UK Ground level
 S Marknivå

N Stötsand
UK Safer surface
S Stridsand



N Komprimert masse. betong
UK Compressed mass. concrete
S Komprimerad massa. betong