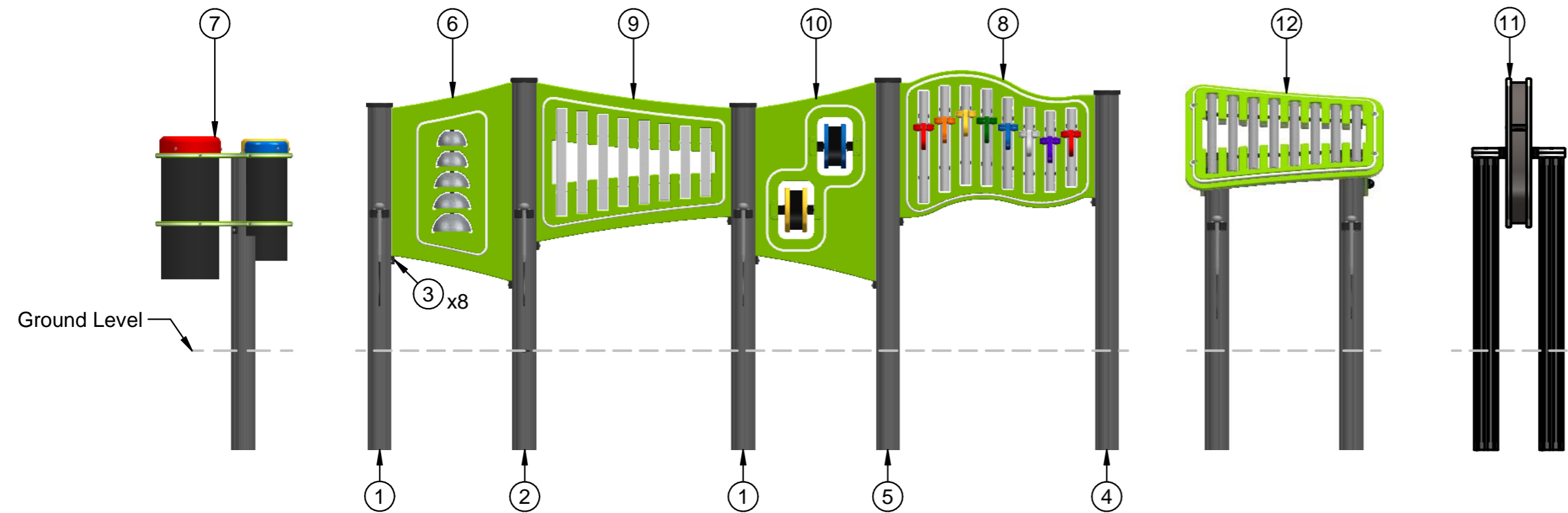


Installation Instructions

FIMUSYM5-AL-WP - Symphony No5 Musical Set



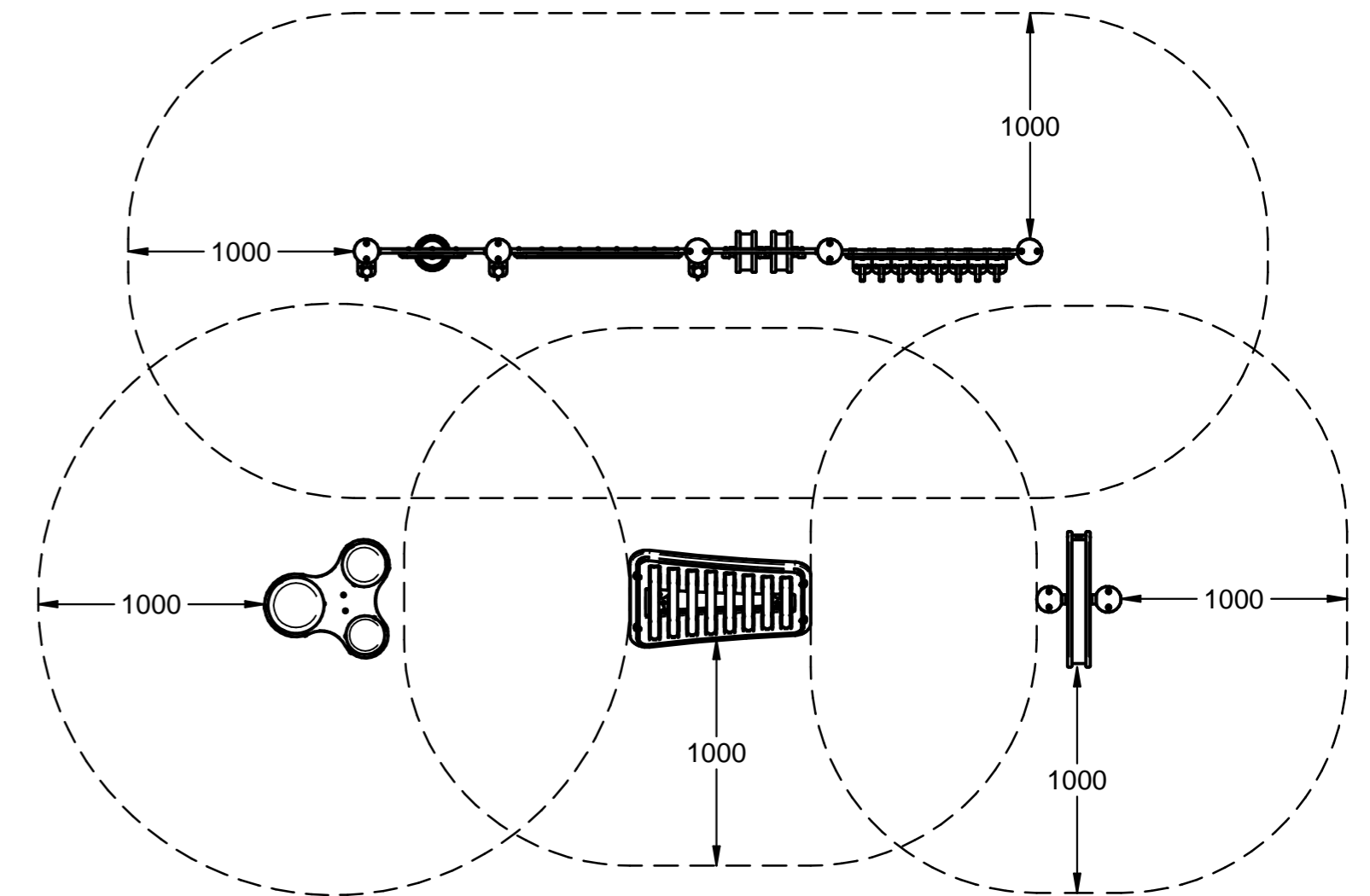
The Symphony No5 Musical Set features a row of 4 panels and 3 stand-alone units. Prior to assembly and installation, please consider which layout would best suit the scheme.

Please see Pages 2 and 3 for Assembly and Foundation details.

Circulation Space:

We recommend a minimum of 1000mm circulation space between units.

As shown below, the circulation area of each unit can overlap into the circulation area of adjacent units.



Parts List

Item	Code	Description	Qty	Weight (ea.)
1		Alu Extruded Post with Top Cap and Beater Holder - 1400mm	2	6.3 kg
2		Alu Extruded Post with Top Cap and Beater Holder - 1500mm	1	6.7 kg
3	FIALSTOP	Aluminium T-Slot Stop	8	N/A
4	FIAP1450	Alu Extruded Post with Top Cap - 1450mm Long	1	6.0 kg
5	FIAP1500	Alu Extruded Post with Top Cap - 1500mm Long	1	6.2 kg
6	FIV5BP-AL	Virtuoso 5 Bell Panel for Alu Posts	1	9.9 kg
7	FIVBOT-AL-WP	Virtuoso Bongo Tree with Alu Post	1	13.2 kg
8	FIVCAM8CH-AL	Virtuoso Diatonic Cam Chimes for Alu Posts	1	14.4 kg
9	FIVFLATLOW-AL	Virtuoso Flat Chimes Low for Alu Posts	1	11.9 kg
10	FIVSPMA-AL	Virtuoso Spin Maracas for Alu Posts	1	10.6 kg
11	FIVSRR-AL-WP	Virtuoso Shake Rattle and Roll with Alu Posts	1	20.4 kg
12	FIVTUBE45-AL-WP	Virtuoso Concert Tube Chimes with Alu Posts	1	25.2 kg
13	FXS0001-A	H5 Security Driver Bit	1	N/A

Maintenance Inspection

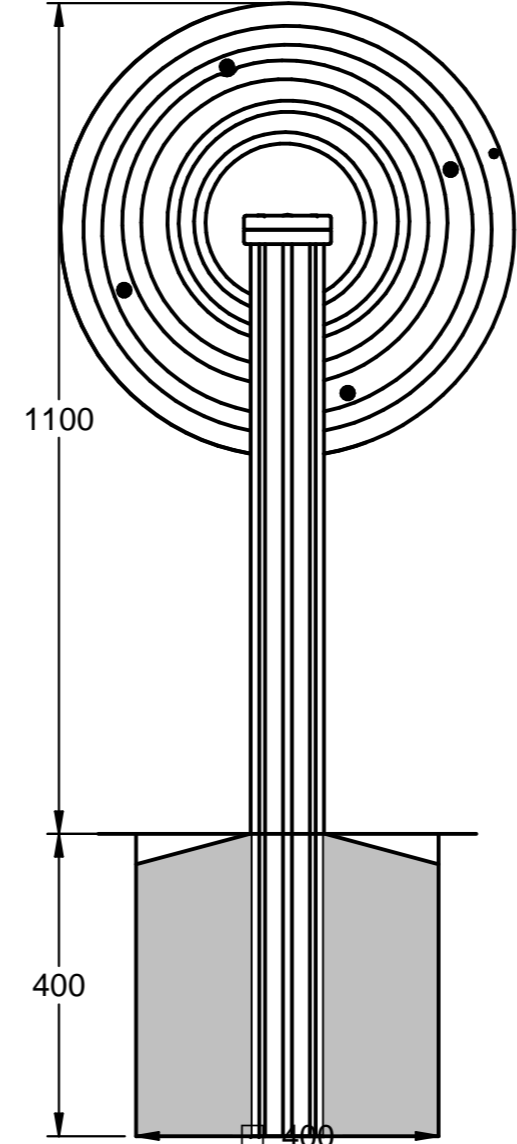
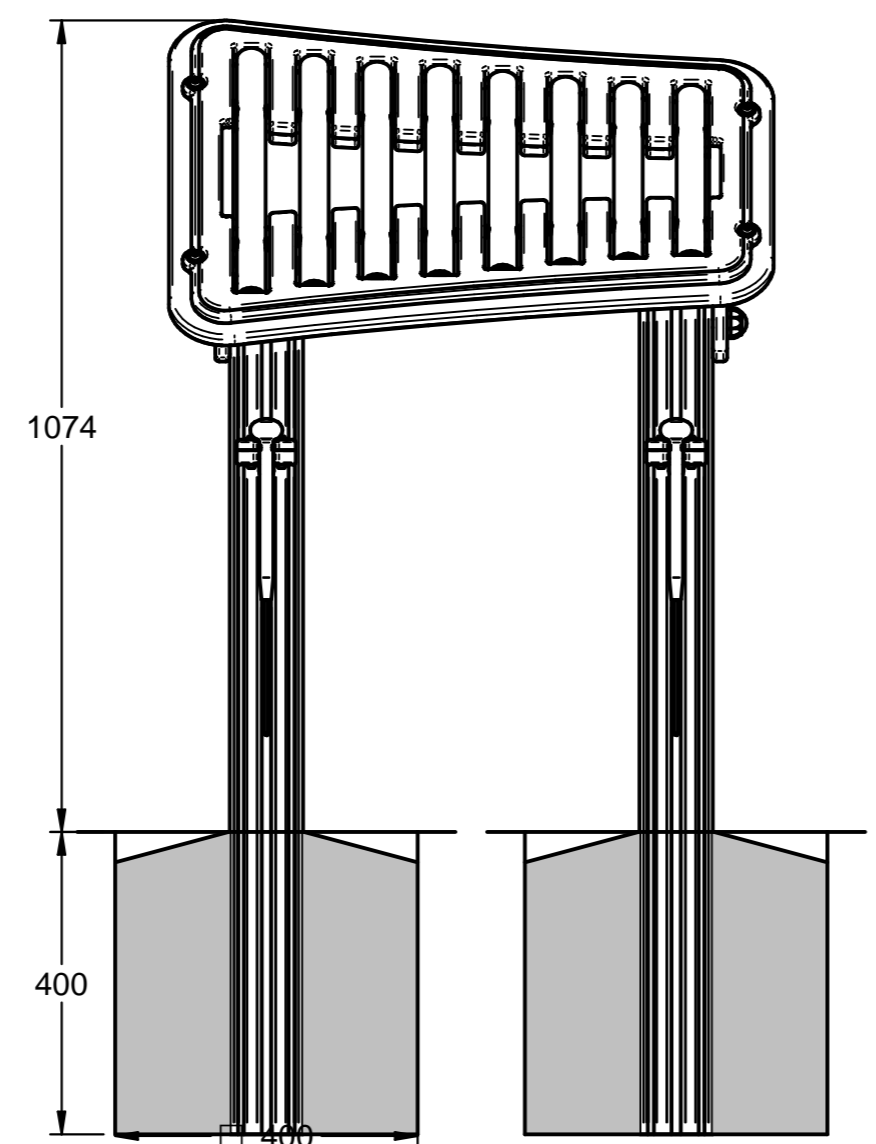
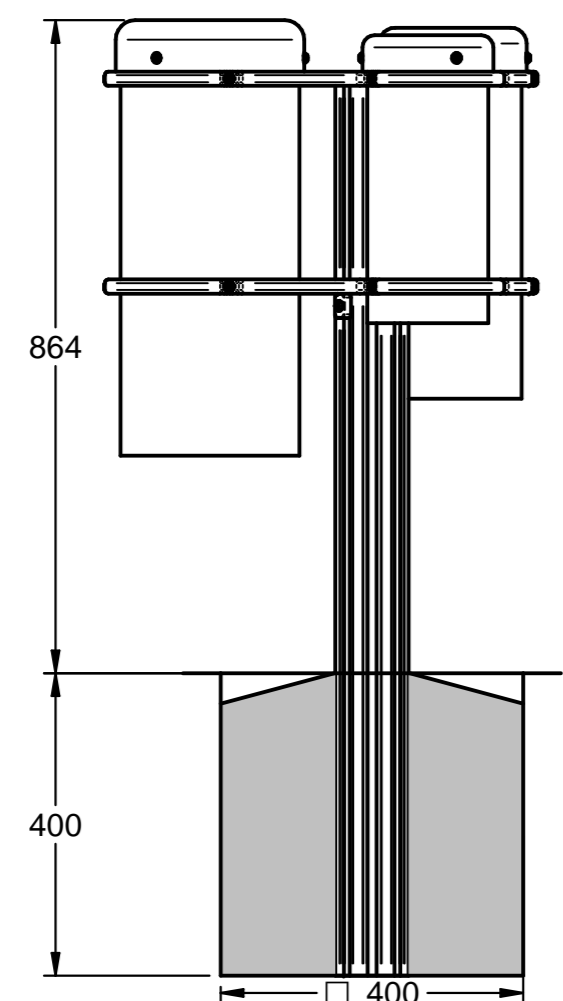
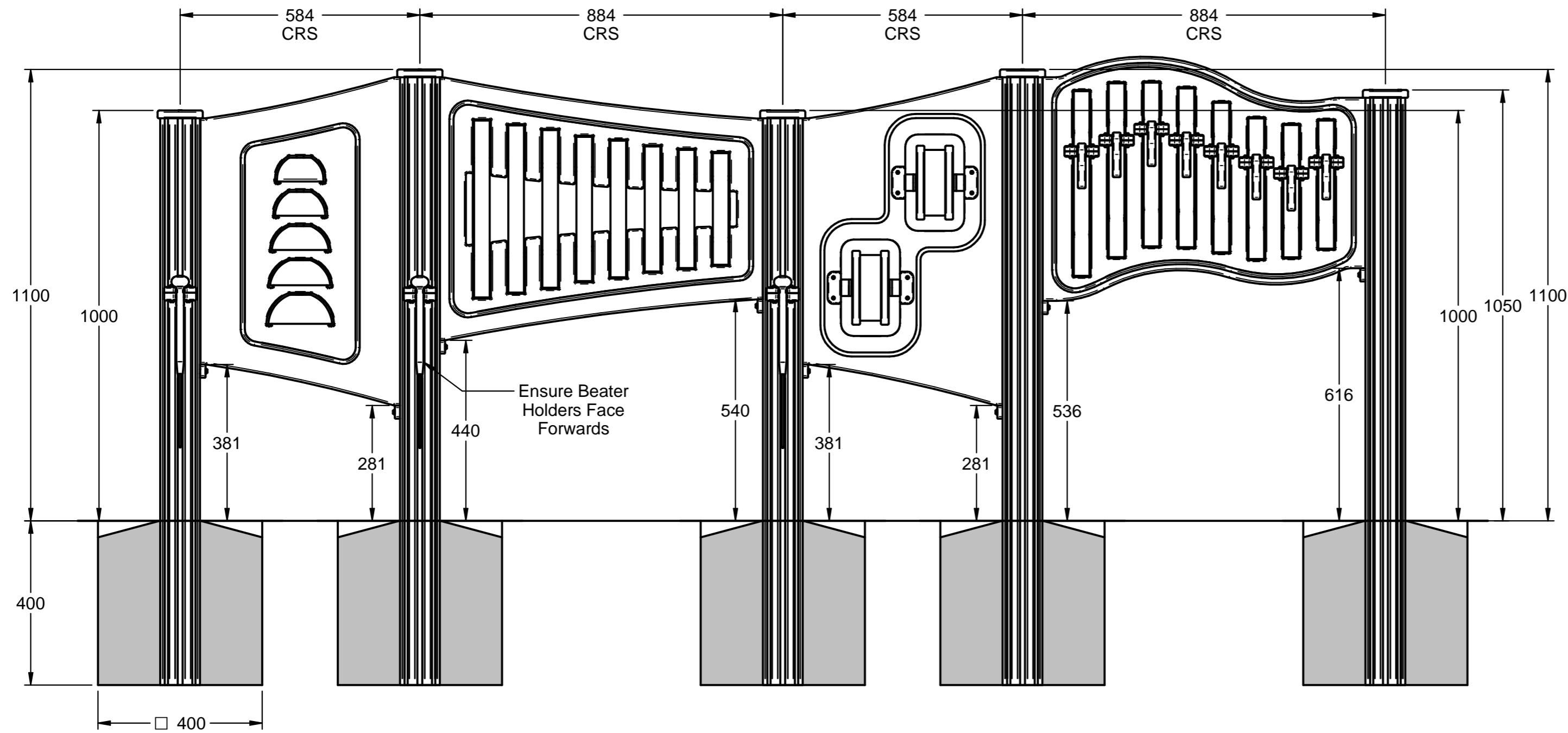
FREQUENCY	WHAT TO DO
VISUAL INSPECTION (EVERY MONTH)	Identify any risks stemming from vandalism, intensive use or unusual weather
	Check for missing or broken parts
	Make sure that all protective covers are in place
FUNCTIONALITY INSPECTION (EVERY MONTH)	Inspect surfacing below and around equipment
	Check that the equipment, or the part concerned is operating correctly
	Check all fixings, joints and stability of the equipment and tighten or replace if necessary
	Check all parts for wear and tear and replace if necessary
COMPREHENSIVE INSPECTION (EVERY 6 MONTHS)	Thorough cleaning of equipment and any stainless steel parts with water and detergent
	All of the above plus:
	Inspect the anchoring system
	Inspect any moving, mechanical and electrical parts are operating correctly
	Check overall condition of any paintwork or galvanizing – repaint / touch up if necessary

Modification	Date	Approved
New Drawing	14/12/20	RW
Spitfire Road, Old Sarum, Salisbury Wiltshire, SP4 6GB, UK Tel: +44 (0)1722 349 793 www.fahr-industries.com		
<small>This document, including the copyright therein, is the property of Fahr Industries Ltd and may not be utilised for any purpose or reproduced, or transmitted to any third party without prior written consent.</small>		
All Dimensions in mm	1 of 3	Not To Scale
Drg By	Richard Willstrop	

Installation Instructions

FIMUSYM5-AL-WP - Symphony No5 Musical Set

Foundation Details:

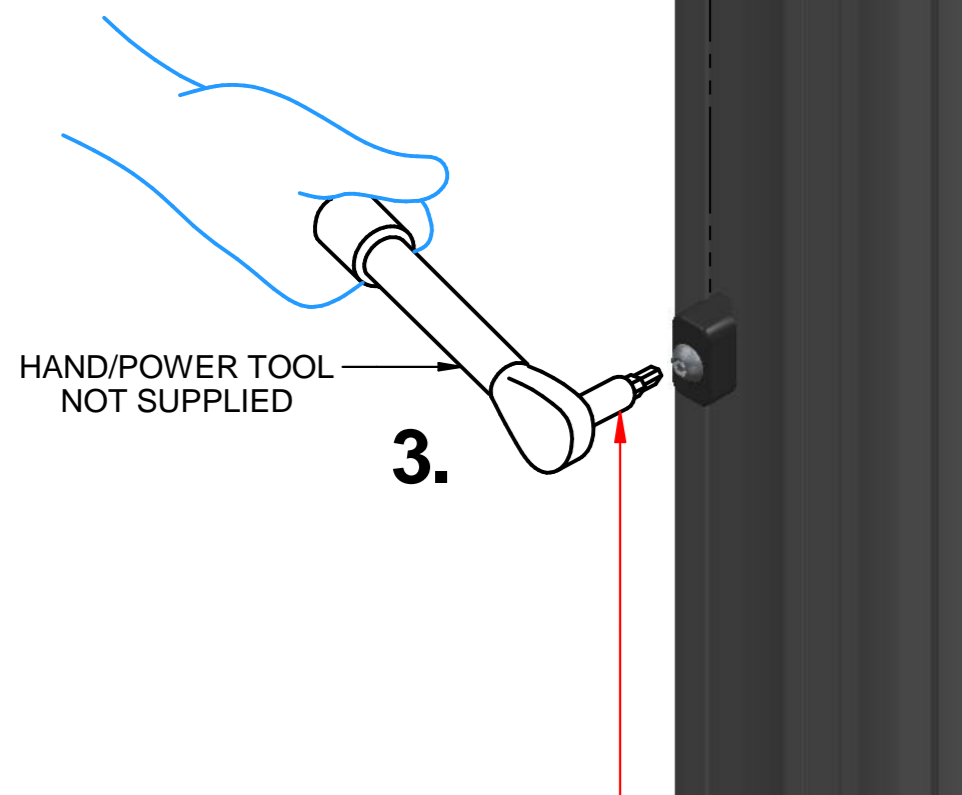
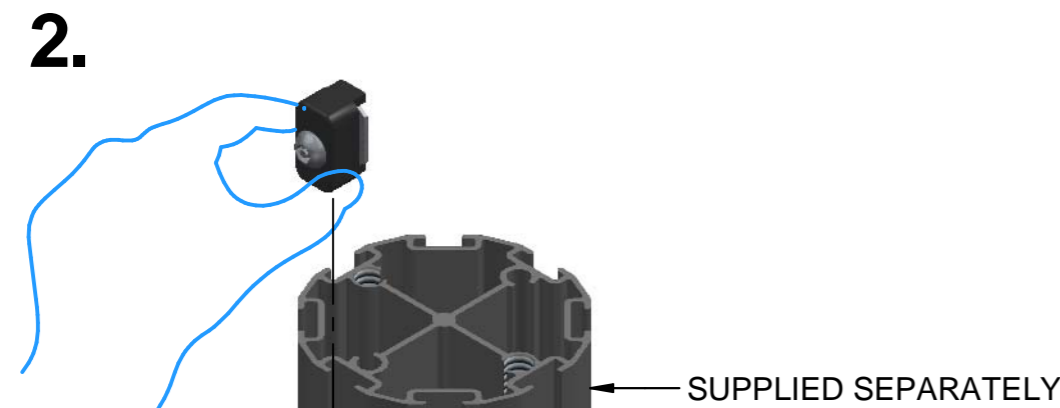
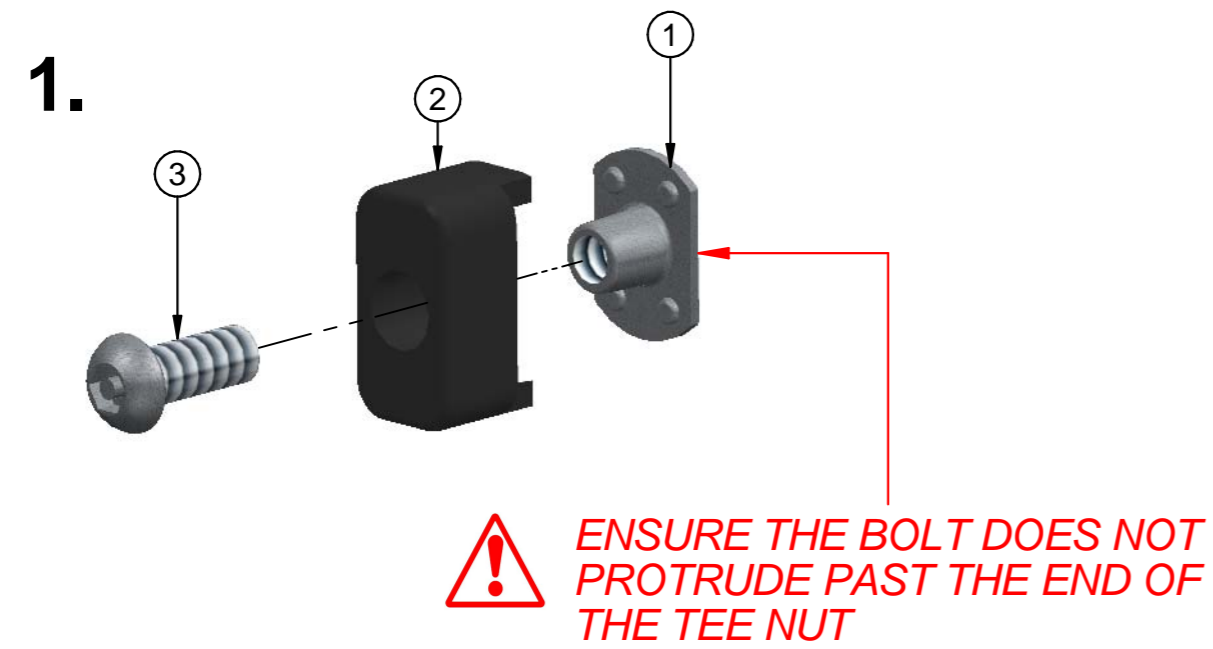


Approx. Unit Weight:
130kg total

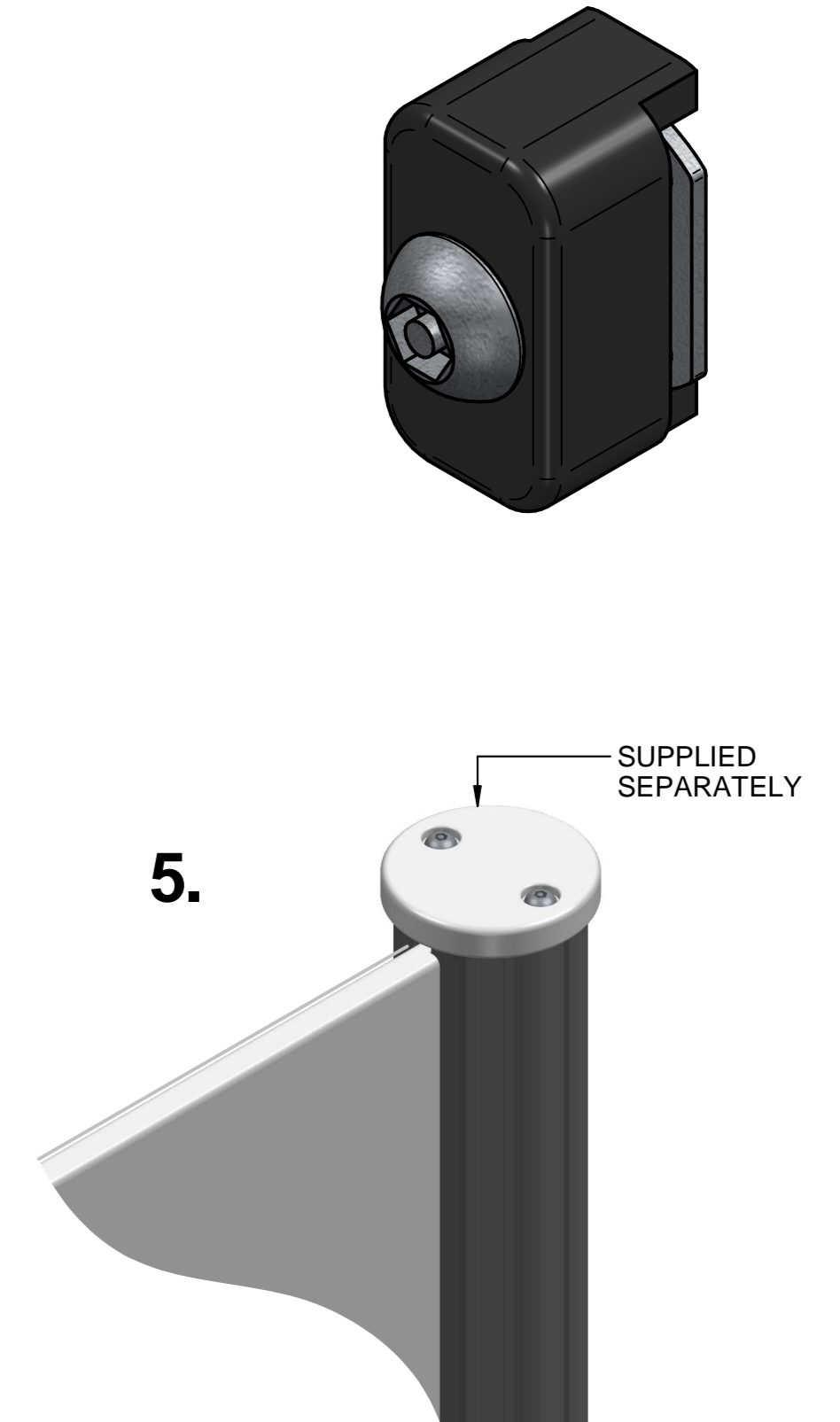
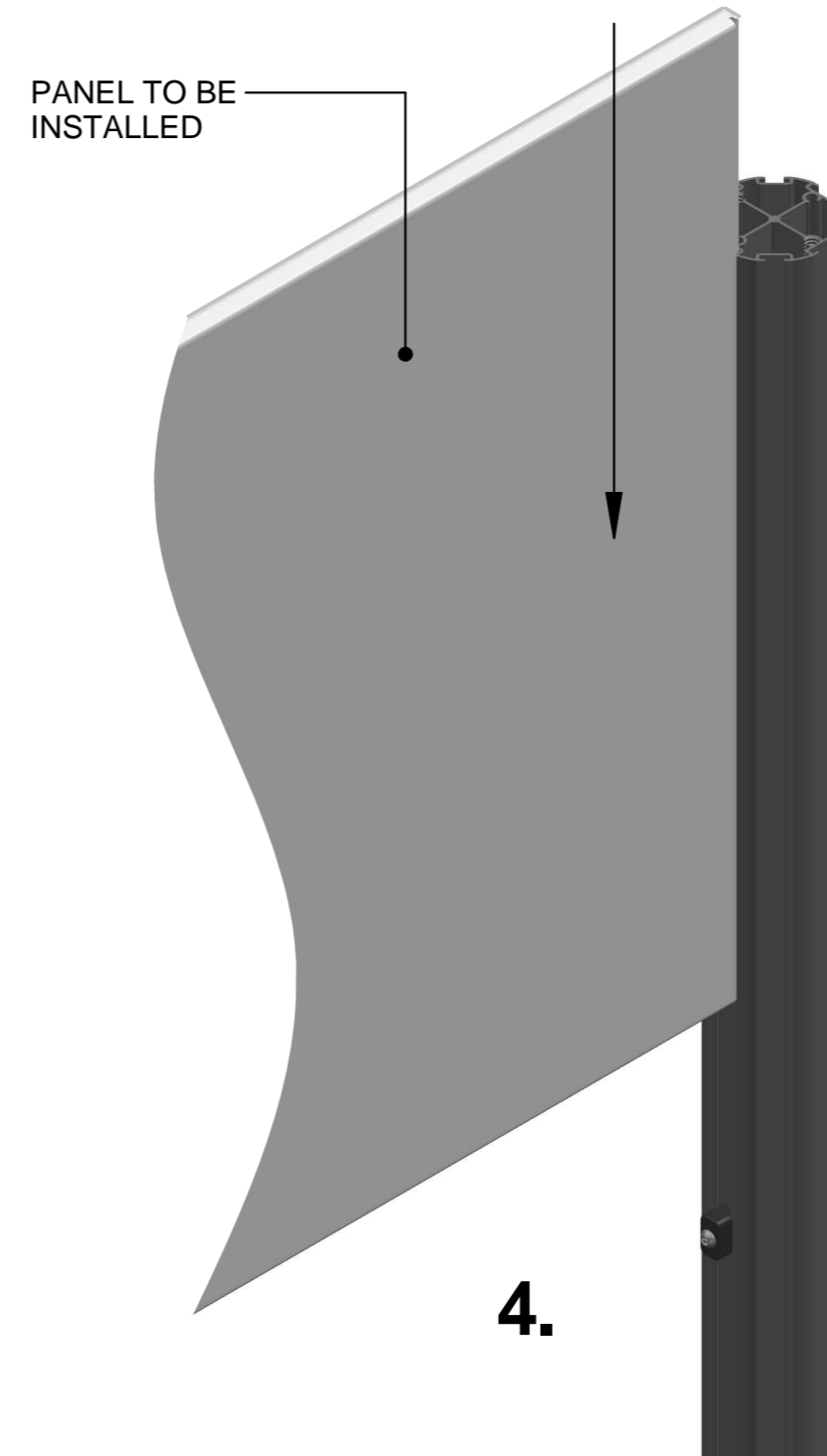
Modification	Date	Approved
New Drawing	14/12/20	RW
Spitfire Road, Old Sarum, Salisbury Wiltshire, SP4 6GB, UK Tel: +44 (0)1722 349 793 www.fahr-industries.com		
<small>This document, including the copyright therein, is the property of Fahr Industries Ltd and may not be utilised for any purpose or reproduced, or transmitted to any third party without prior written consent.</small>		
All Dimensions in mm	2 of 3	Not To Scale
Drg By Richard Willstrop		

Installation Instructions

FIALSTOP - Alu T-Slot Stop



USE A RATCHET SPANNER TO ENSURE THE BOLT IS TIGHTENED SUFFICIENTLY TO AVOID UNWANTED MOVEMENT



Panel must be secured using either a **Post Cap** or **FIALSTOP - T-Slot Stop** at the top edge of the panel as shown (both sold/supplied separately)

1. Assemble the T-Slot Stop as shown, ensuring the bolt does not protrude past the end of the Tee Nut
2. Slide the T-Slot Stop into appropriate slot and into the desired location
3. Ensure the T-Slot Stop is accurately positioned to suit the panel being installed, before tightening onto the post
4. Slot the panel being installed down the post so that it rests on the positioned T-Slot Stop/s
5. Secure the panel by positioning a T-Slot Stop/Post Cap at the top edge of the panel

Item	Code	Description	Qty
1	FSU1031-A	M8 Tee Nut - JNB042-SS - Incl. Loctite	2
2	FPL6095-A	Alu T-Slot Stop	2
3	FSU0027-A	M8 x 20mm Button Head Bolt - Security Pin - SS	2
4	FXS0001-A	H5 Security Driver Bit	1

Modification	Date	Approved
New Drawing	05/10/20	RW
Spitfire Road, Old Sarum, Salisbury Wiltshire, SP4 6GB, UK Tel: +44 (0)1722 349 793 www.fahr-industries.com		
<small>This document, including the copyright therein, is the property of Fahr Industries Ltd and may not be utilised for any purpose or reproduced, or transmitted to any third party without prior written consent.</small>		
	All Dimensions in mm	3 of 3
Drg By	Richard Willstrop	Not To Scale