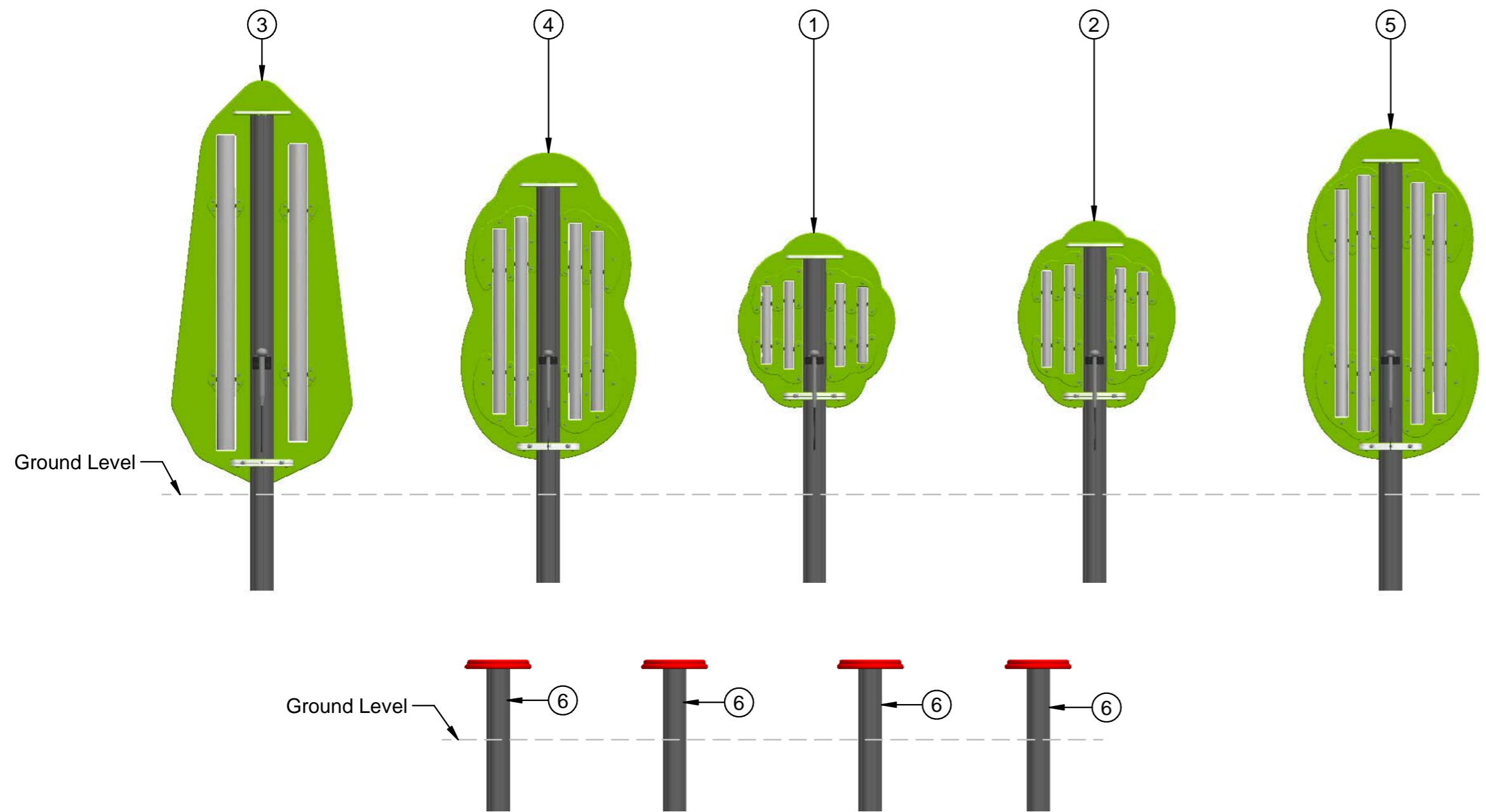


Installation Instructions

FIMUSYM9-AL-WP - Symphony No9 Musical Set



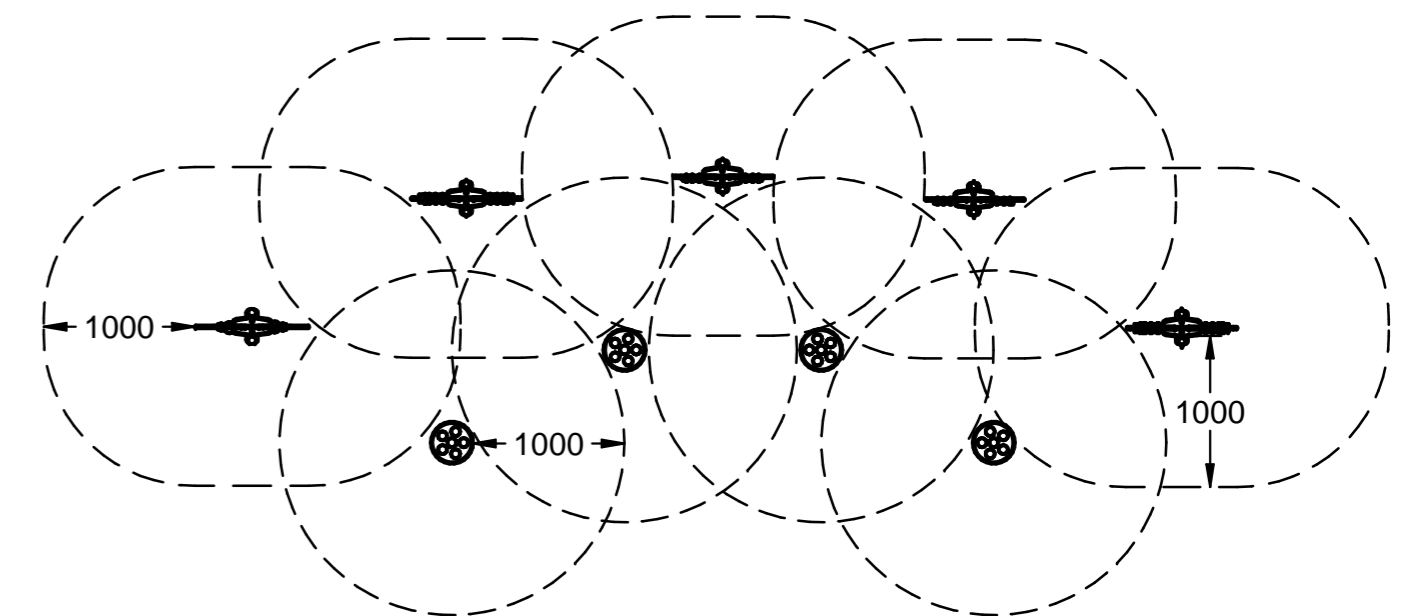
The Symphony No9 Musical Set features 5 stand-alone musical units and 4 toadstools. Prior to installation, please consider a layout which would best suit the scheme.

Please see Page 2 for Foundation details.

Circulation Space:

We recommend a minimum of 1000mm circulation space between units.

As shown below, the circulation area of each unit can overlap into the circulation area of adjacent units.



Parts List

Item	Code	Description	Qty	Weight (ea.)
1	FIVCTHI-AL-WP	Virtuoso Chime Tree High with Alu Post	1	15.4 kg
2	FIVCTLW-AL-WP	Virtuoso Chime Tree Low with Alu Post	1	16.2 kg
3	FIVGCTLW-AL-WP	Virtuoso Giant Chime Tree Low with Alu Post	1	27.1 kg
4	FIVLCTHI-AL-WP	Virtuoso Large Chime Tree High with Alu Post	1	28.8 kg
5	FIVLCTLW-AL-WP	Virtuoso Large Chime Tree Low with Alu Post	1	31.0 kg
6	VETS-AL-WP	Toadstool Seat with Alu Post	4	4.5 kg

Maintenance Inspection

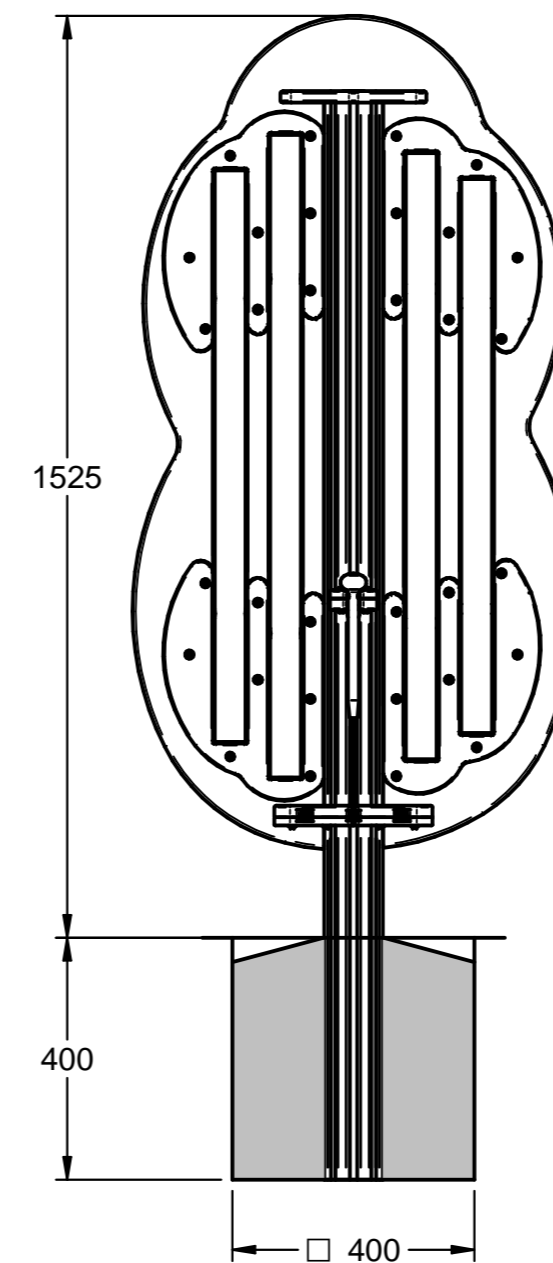
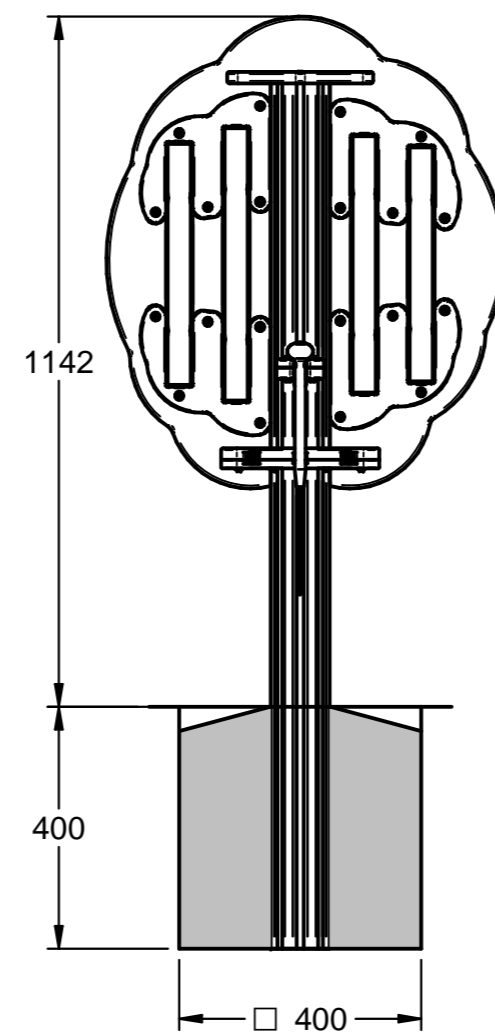
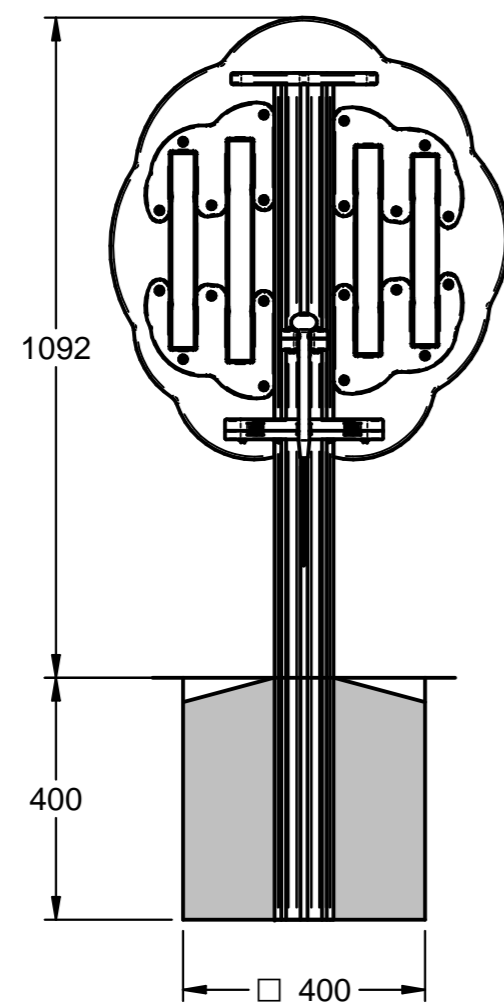
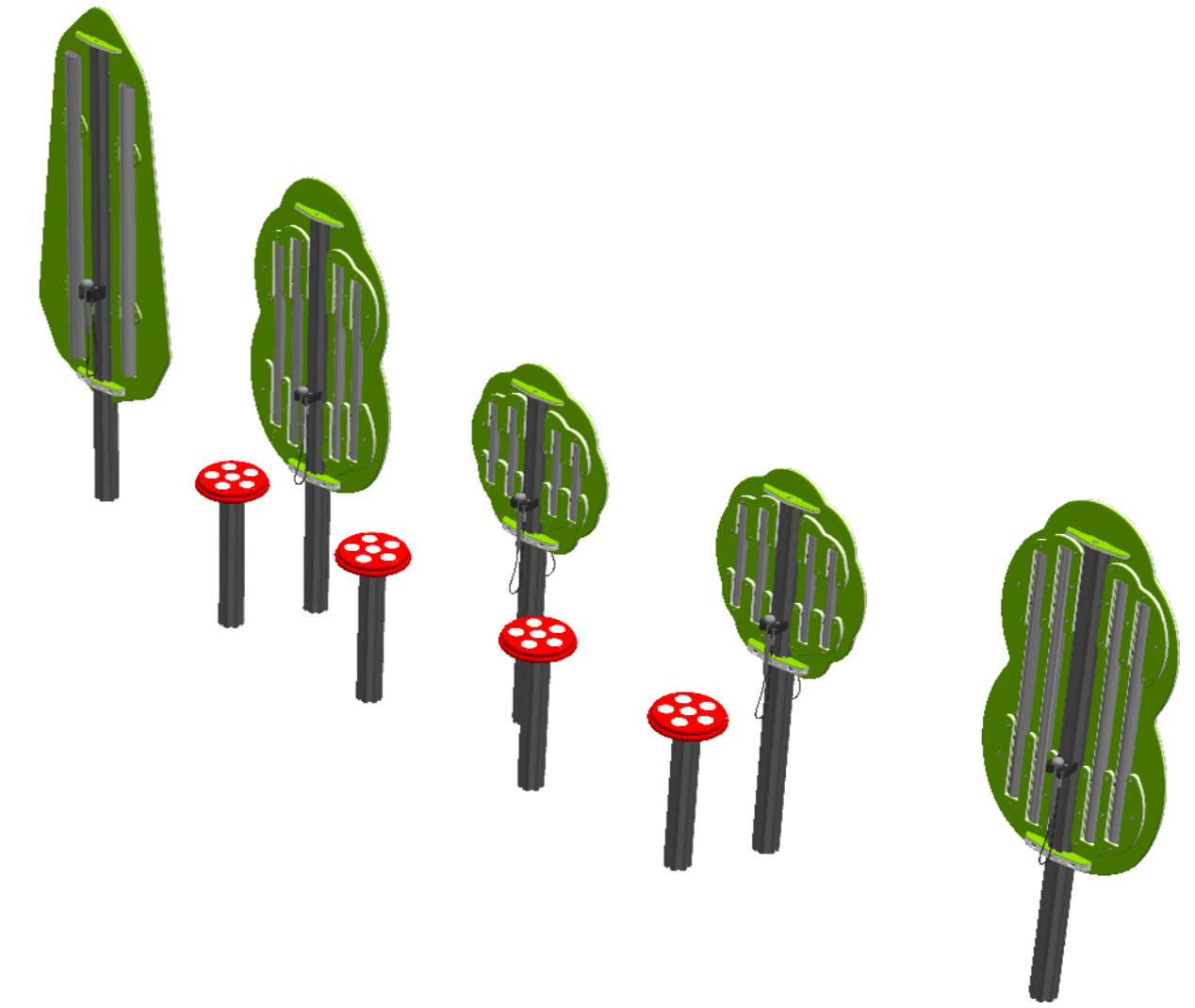
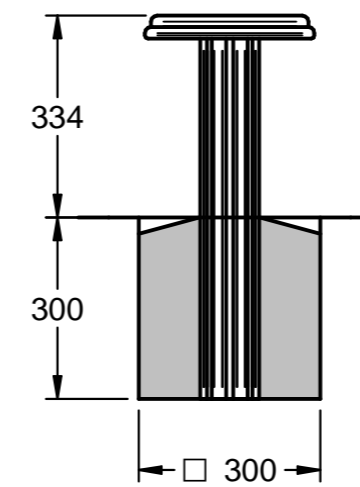
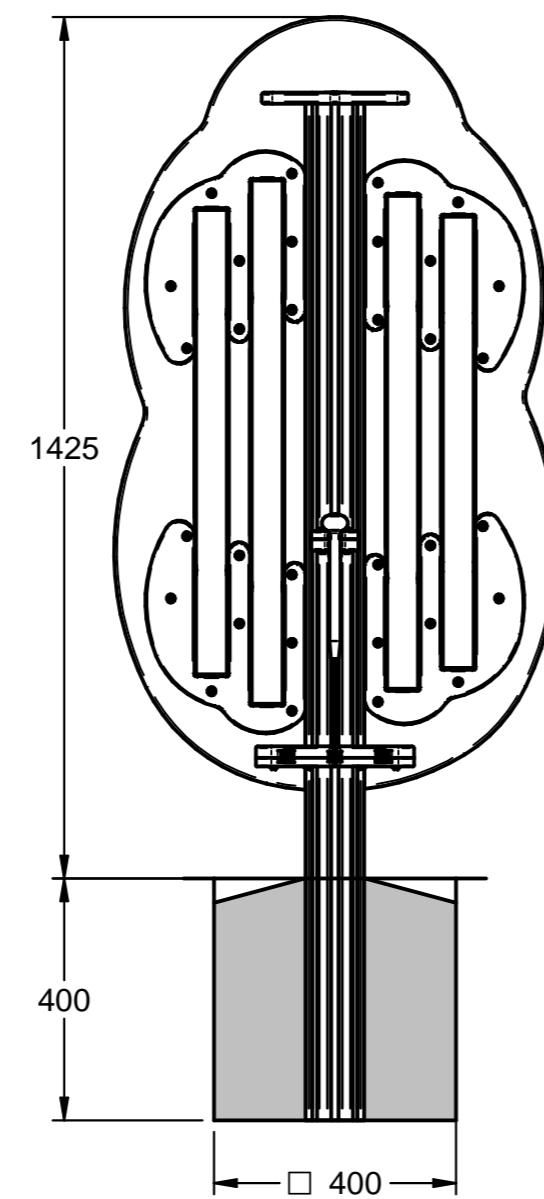
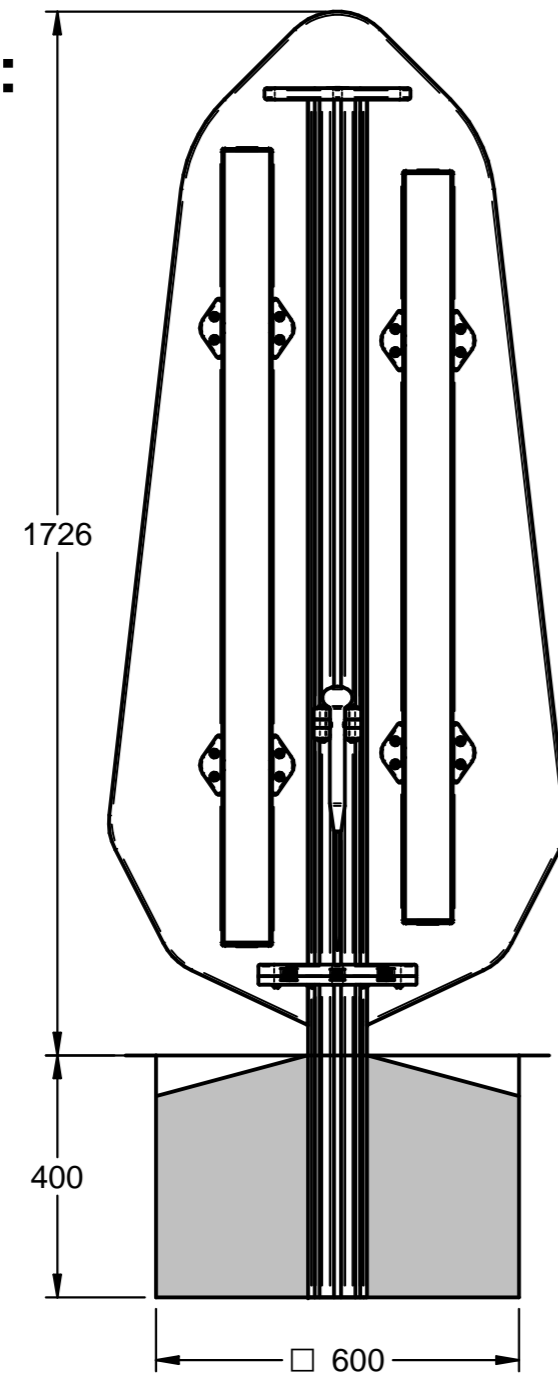
FREQUENCY	WHAT TO DO
VISUAL INSPECTION (EVERY MONTH)	Identify any risks stemming from vandalism, intensive use or unusual weather
	Check for missing or broken parts
	Make sure that all protective covers are in place
FUNCTIONALITY INSPECTION (EVERY MONTH)	Inspect surfacing below and around equipment
	Check that the equipment, or the part concerned is operating correctly
	Check all fixings, joints and stability of the equipment and tighten or replace if necessary
	Check all parts for wear and tear and replace if necessary
COMPREHENSIVE INSPECTION (EVERY 6 MONTHS)	Thorough cleaning of equipment and any stainless steel parts with water and detergent
	All of the above plus:
	Inspect the anchoring system
	Inspect any moving, mechanical and electrical parts are operating correctly
	Check overall condition of any paintwork or galvanizing – repaint / touch up if necessary

Modification	Date	Approved
New Drawing	14/12/20	RW
Spitfire Road, Old Sarum, Salisbury Wiltshire, SP4 6GB, UK Tel: +44 (0)1722 349 793 www.fahr-industries.com		
<small>This document, including the copyright therein, is the property of Fahr Industries Ltd and may not be utilised for any purpose or reproduced, or transmitted to any third party without prior written consent.</small>		
All Dimensions in mm	1 of 2	Not To Scale
Drg By	Richard Willstrop	

Installation Instructions

FIMUSYM9-AL-WP - Symphony No9 Musical Set

Foundation Details:



Approx. Unit Weight:
136.5kg total

Modification	Date	Approved
New Drawing	14/12/20	RW
Spitfire Road, Old Sarum, Salisbury Wiltshire, SP4 6GB, UK Tel: +44 (0)1722 349 793 www.fahr-industries.com		
This document, including the copyright therein, is the property of Fahr Industries Ltd and may not be utilised for any purpose or reproduced, or transmitted to any third party without prior written consent.		
⊕	All Dimensions in mm	2 of 2
Drg By	Richard Willstrop	Not To Scale