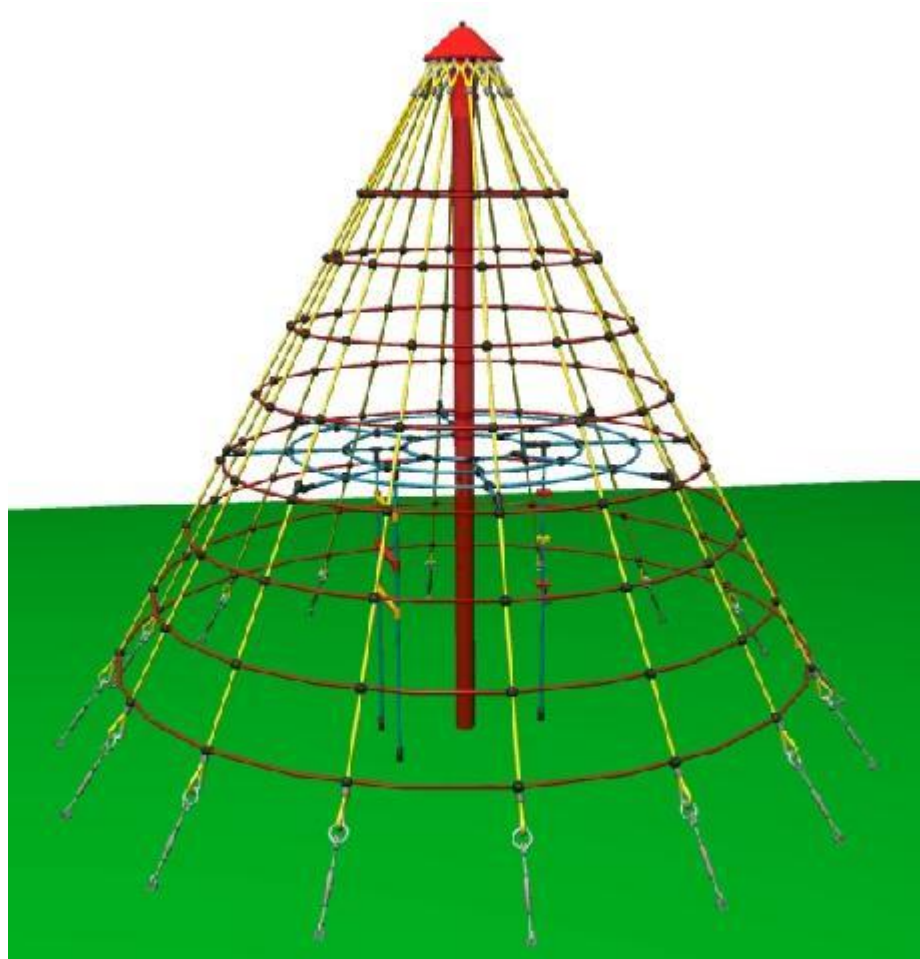


A Instructions for the Assembly of Cheops-Pyramid Mini (EU-Gsm), Article, No. 4643-1B (embedded) Design: Steel Post

Attention! Only use the [assembly instructions included in the scope of delivery](#) for the assembly, installation and maintenance of the respective equipment!



Operator: _____

Location: _____

Revision history

Revision 0 – 2007-05-31
First version issued

Assembly Instructions

Revision 7 – 2020-09-30
Hinweis hinzugefügt Seite 1 PR.

All rights reserved.

© Copyright 2006 Huck Seiltechnik GmbH

Table of Contents

A	Instructions for the Assembly of Cheops-Pyramid Mini (EU-Gsm), Article, No. 4643-1B (embedded) Design: Steel Post.....	1
1	Introduction: Installation.....	4
2	Datasheet Cheops-Pyramid Mini (EU-Gsm), Article No. 4643-1B	6
3	Scope of Delivery, inventory with serial numbers	7
4	Assembly instructions	11
5	Examination after installation	20
B	Maintenance Instructions for the Cheops-Pyramid Mini (EU-Gsm) Article No. 4643-1B (for embedding)	21
6	Introduction: Maintenance.....	23
7	General notes on maintenance work.....	24
8	Routine maintenance	26
9	Maintenance schedule	28
10	Maintenance work which is to be carried out every month:	29
11	Maintenance work to be carried out every quarter	29
12	Maintenance work to be carried out every 6 months.....	29
13	Maintenance work to be carried out annually	30
14	Maintenance log.....	31
15	Hand over document	33

Index of Tables

Table 3-1: Scope of delivery, inventory with serial numbers, in words	7
Table 3-2: Scope of delivery, inventory with serial numbers, with symbols	8

1 Introduction: Installation

1.1 General

The installation, inspection, maintenance and operation are to be carried out in accordance with the guidelines of EN1176-7.

All components and mounting elements are to be checked, according to the inventory supplied, before the actual construction begins (see Table 3-1 for the complete list).

Any spare parts that may be required can be obtained directly from your supplier.



Attention

The complete assembly and maintenance instructions and the maintenance log are to be forwarded unconditionally, after installation, to the operator as written proof (see last page).



Attention

All pins and nuts are either hot-dip galvanised or made of high grade steel.

High grade steel has the characteristic of uncontrolled galling during tightening of the nuts. Therefore it is essential to spray the pins and nuts with Teflon or any other similar lubricants.

We hereby confirm that this playing equipment was checked and certified according to the new playing equipment standard EN 1176.

Drawings / Views

All optical drawings are showing only the measurements/dimensions and are no mandatory technical views of the complete item.

We reserve the right to change technical details of our articles which are serving for the further development of our articles and are reasonable for the customer.

Measurement tolerances

Because of the properties and characteristics of the components, minor measurement tolerances compared to the indication on the sketches are possible.

This concerns all shown measurements except the foundation measurements resp. measurements below upper edge ground level/play area.

2 Datasheet Cheops-Pyramid Mini (EU-Gsm), Article No. 4643-1B

1. Space requirement: \varnothing 4.00 m resp. \varnothing 6.40 m inclusive of safety zone
Height of fall: 1.20 m

[The images \(individual drawings\) are not to scale!!](#)

2. Required safety surface:

Nature of soil	Description mm	Minimum layer thickness mm	Maximum height of fall mm
Topsoil grass			$\leq 1000^*$
Chipped bark	20 – 80 grain size	300/400	$\leq 2000/3000$
Wood chippings	5 – 30 grain size	300/400	$\leq 2000/3000$
Sand	0.2 – 2 grain size	300/400	$\leq 2000/3000$
Gravel	2 – 8 grain size	300/400	$\leq 2000/3000$
Other ground materials	As recommended by manufacturer		

3. Name and size of the largest component
Steel post (1 piece); length 4.00 m, \varnothing 102 mm

4. Name and weight of the heaviest component:
1 pallet of steel post (1 piece); approx. 35 kg

5. Intended age group: 3 years and above

6. **Please note: equipment to be embedded**
Base dimensions/digging depth:

Depth of foundations/excavations:

1 x excavation, 0.90 m long x 0.90 m wide x 0.70 m high, total depth: 0.80 m incl. 10 cm drainage layer

1 x round excavation perimeter, \varnothing 5.56 m x 1.00 m wide x 1.00 m high, total depth: 1.10 m incl. 10 cm drainage layer

Attention! In case of soil class 2 and 3 add a concrete layer onto the anchor plates with 60% height of the excavation depth.

Soil Class 2: flowing soil types of fluid to semi-fluid consistency which hardly release water.

Soil Class 3: easy detachable soil types; noncohesive to slightly cohesive sand, gravel and sand-gravel-mixtures with up to 15 percent by weight addition of silt and clay and with at the most 30 percent by weight of stone with more than 63mm grading and with up to 0.01m³ cubic content. Organic soil types with better than pasty consistency and turf.

7. The time required for the assembly of the basic equipment : Approx. 2 hours
Extra hands required: 2 people.

8. Any spare parts which may be required can be obtained directly from your supplier

9. **We hereby confirm that this playing equipment was checked and certified according to the new playing equipment standard EN 1176.**

3 Scope of Delivery, inventory with serial numbers


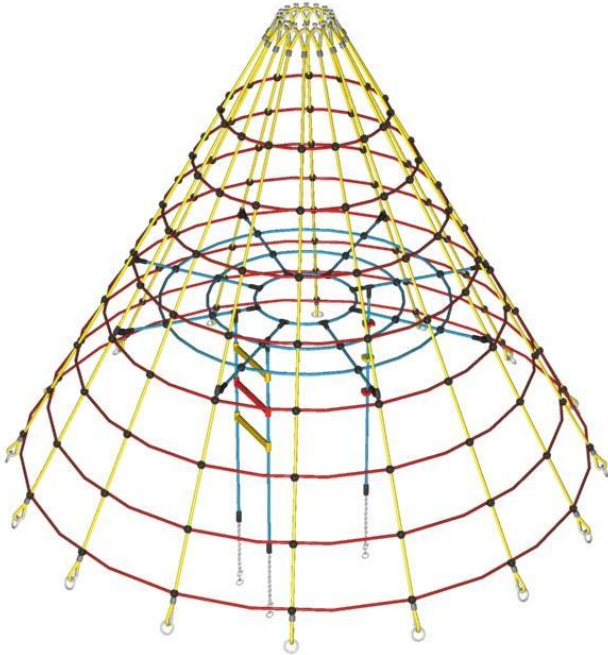

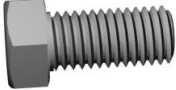


3.1 In words (please notice: piece numbers refer to 1 equipment)



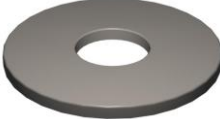
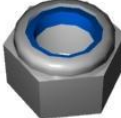







Table 3-1: Scope of delivery, inventory with serial numbers, in words



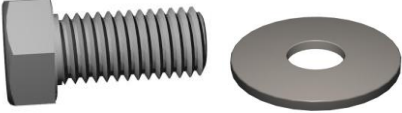
Item	Units	Element / description	Size	Available	Not available
1	1	galvanised, thick-walled steel pole installation depth 0.70 m	Ø 102 mm; 4.00 m long.		
2	1	Play area (net part already assembled)			
3	1	mast boot 16 holes	Ø 360 mm galvanised		
100	16	hexagonal bolt	M10 x 20 galvanised		
101	16	lock washer	M10 galvanised		
102	1	threaded rod	M16 x 165 mm galvanised		
103	1	hexagonal nut	M16 galvanised		
104	1	red cover hood	Ø 375 mm, 140 mm h.		
105	1	washer	17 DIN 9021 VA		
106	1	lock nut	M16 VA		
107	1	black cover cap	for M16		
108	16	swivel	M12 galvanised		
109	16	10-link chain	c. 1.30 m long		
110	16	speed shackle (for pegs)	10-link galvanised		
111	32	threaded rod			
112	3	lever for screwing into ground	400 mm long galvanised		
113	2	Loctite			
114	17	anchor plates (a plate for the mast)	500 x 500 mm		
	1	channelling pipe (customer to provide)	c. Ø150 x 500 mm long.		
115	17	lifting-eye nut for the anchor plates	M12 galvanised		
116	17	hexagonal bolt with U-washer for the anchor plates	M12		

3.2 With symbols

Table 3-2: Scope of delivery, inventory with serial numbers, with symbols

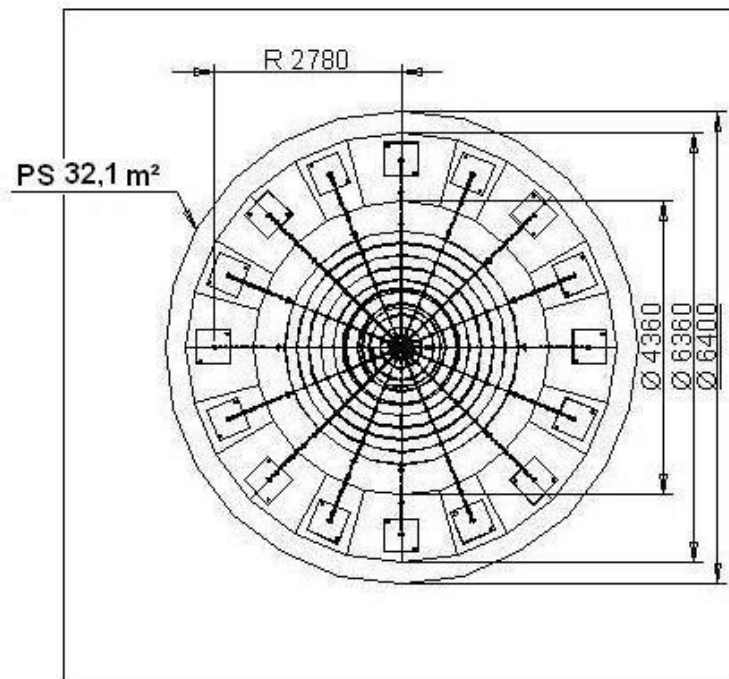
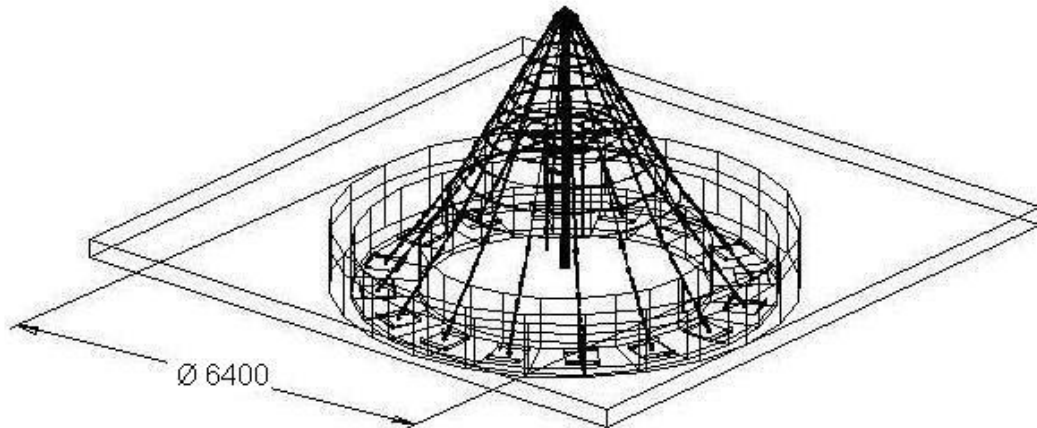
Item	Units	Symbol
1	1	
2	1	
3	1	
100	16	
101	16	
102	1	

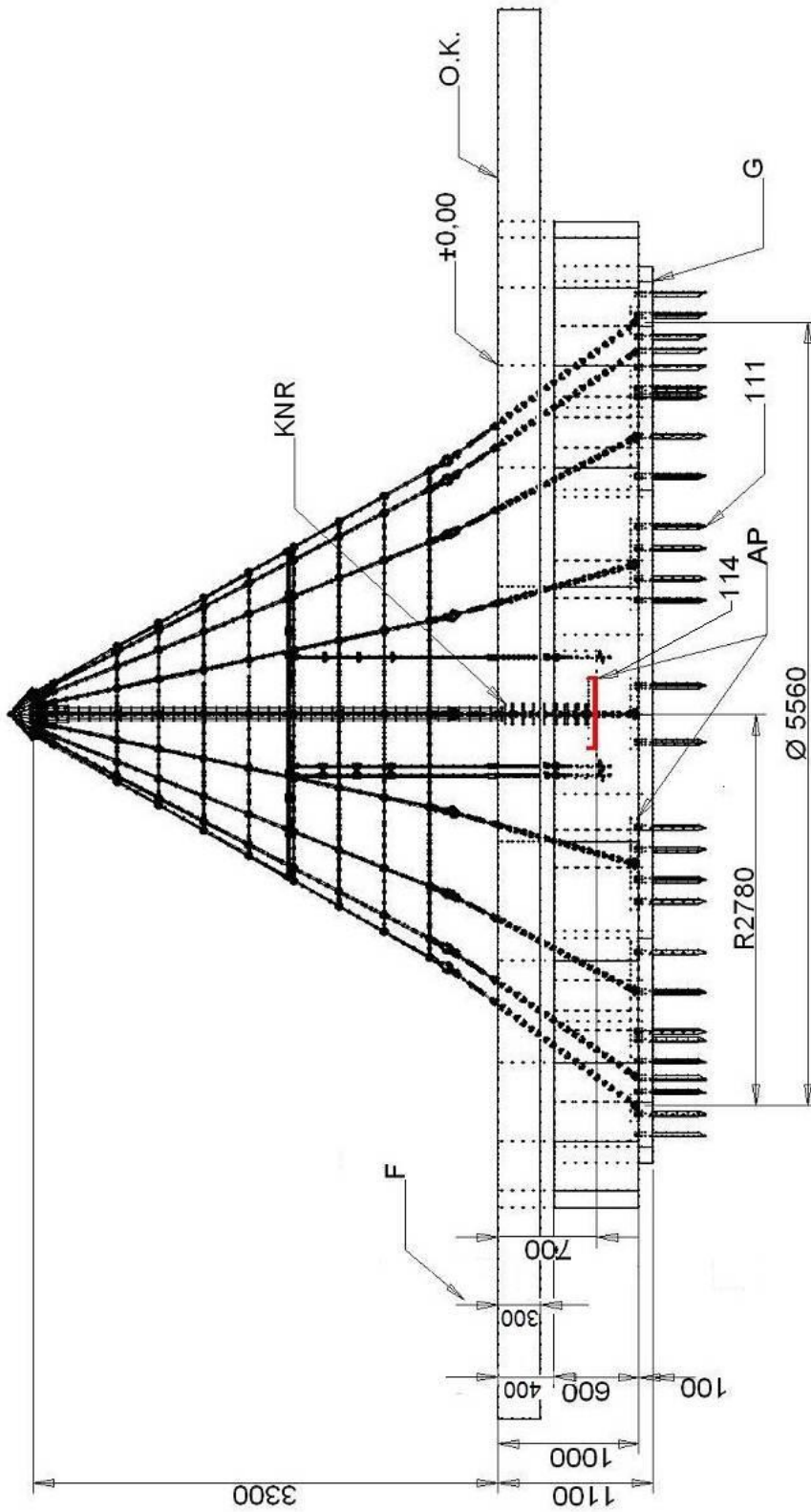
Item	Units	Symbol
103	1	
104	1	
105	1	
106	1	
107	1	
108	16	
109	16	
110	16	
111	32	
112	3	
113	2	

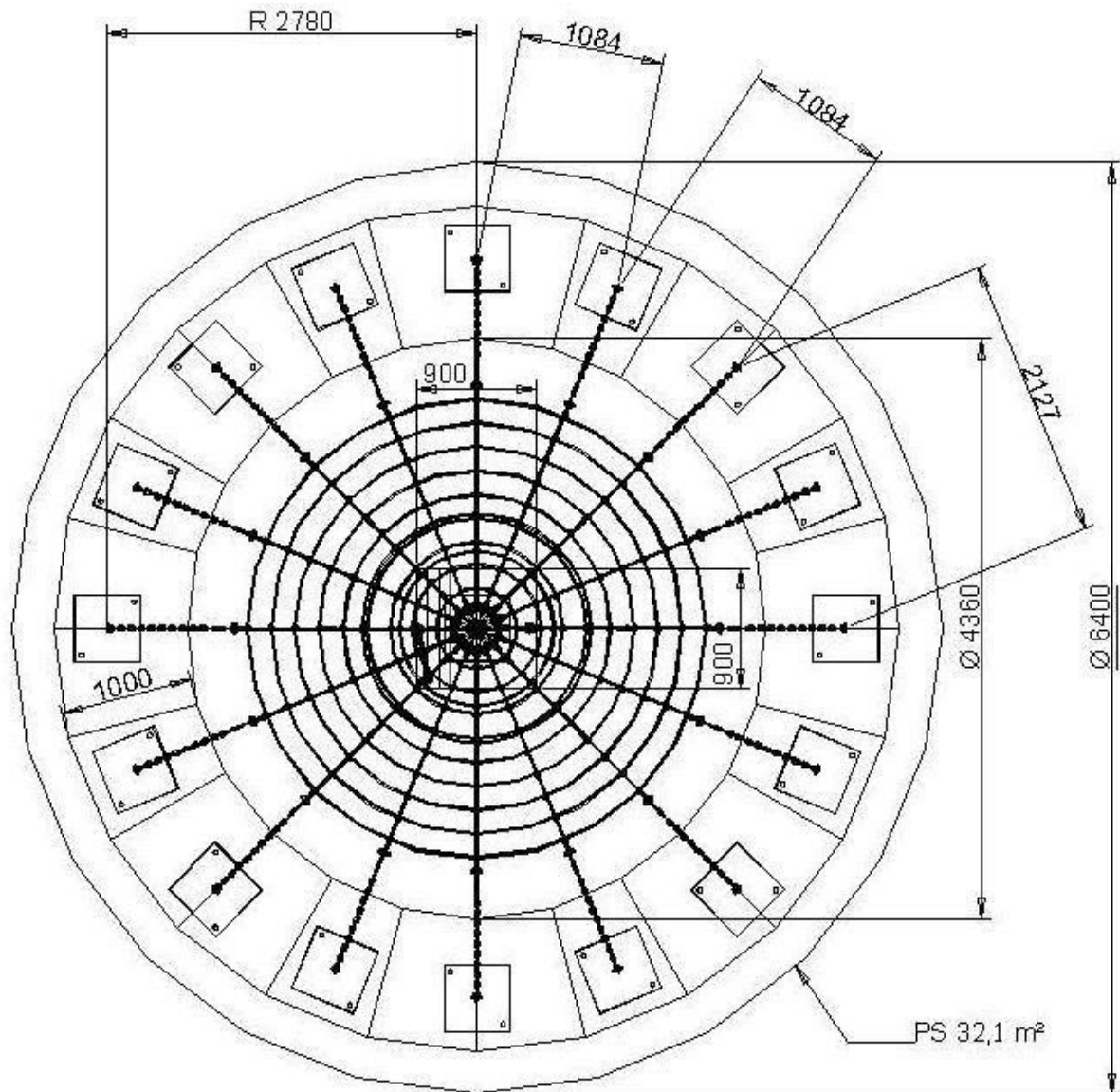
Item	Units	Symbol
114	17	
115	17	
116	17	

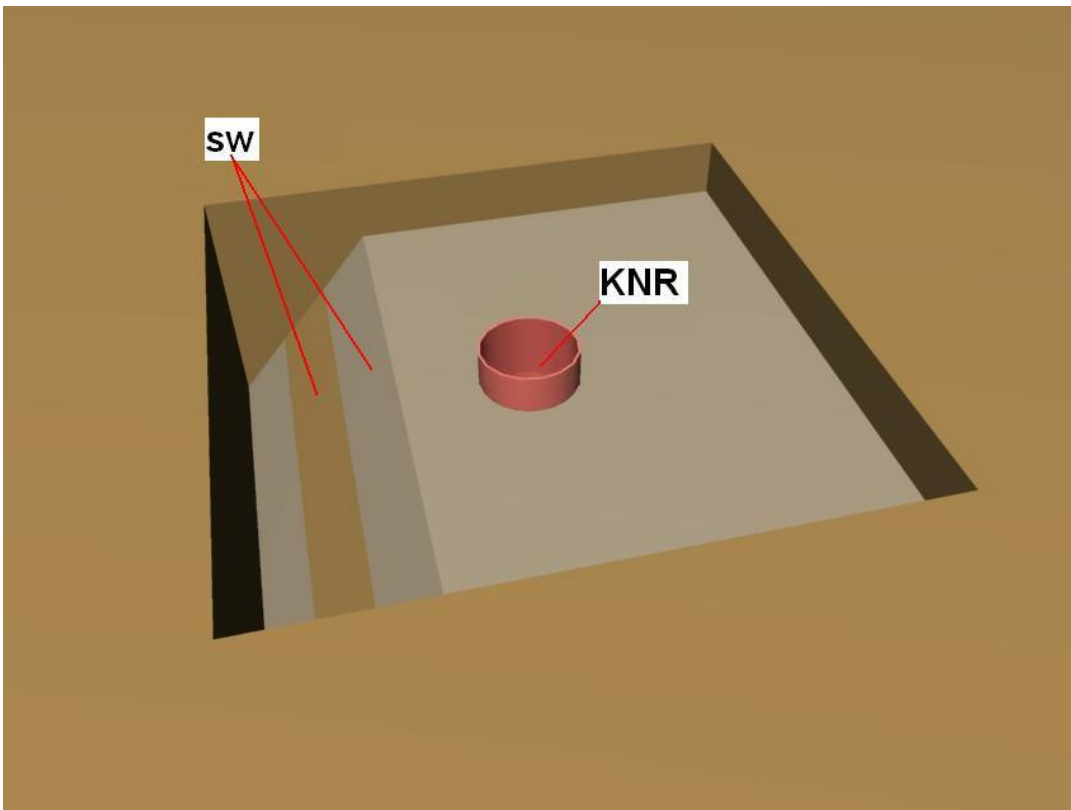
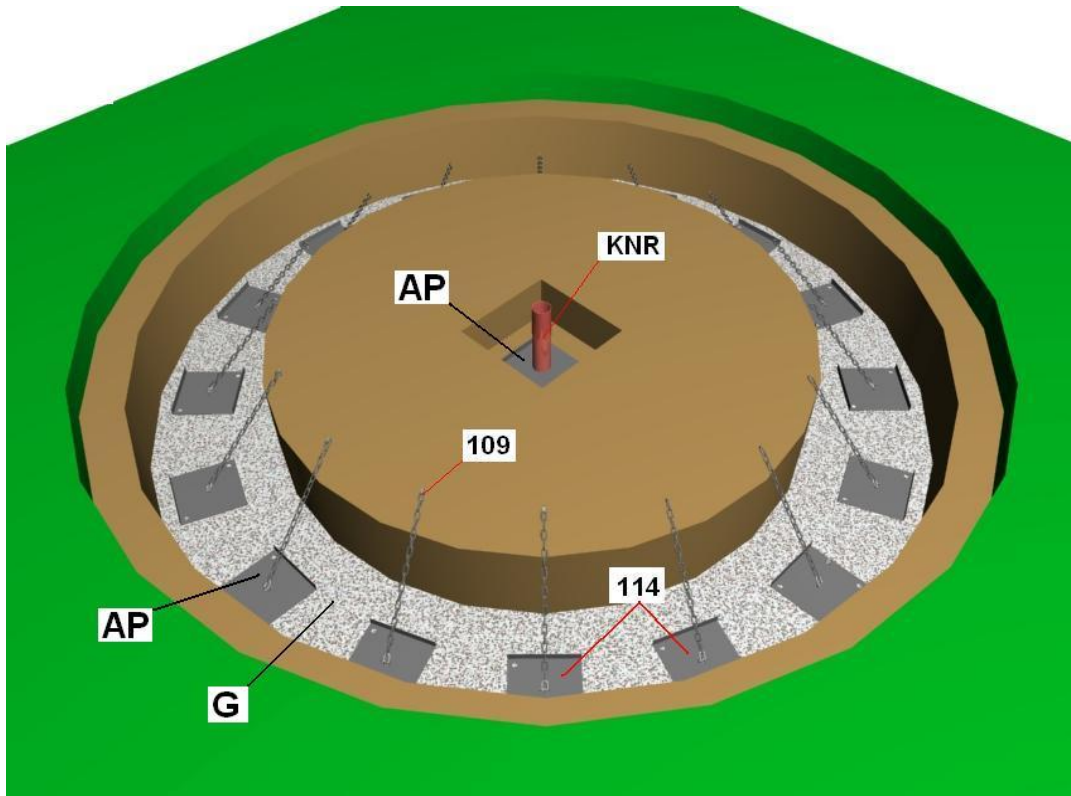
4 Assembly instructions

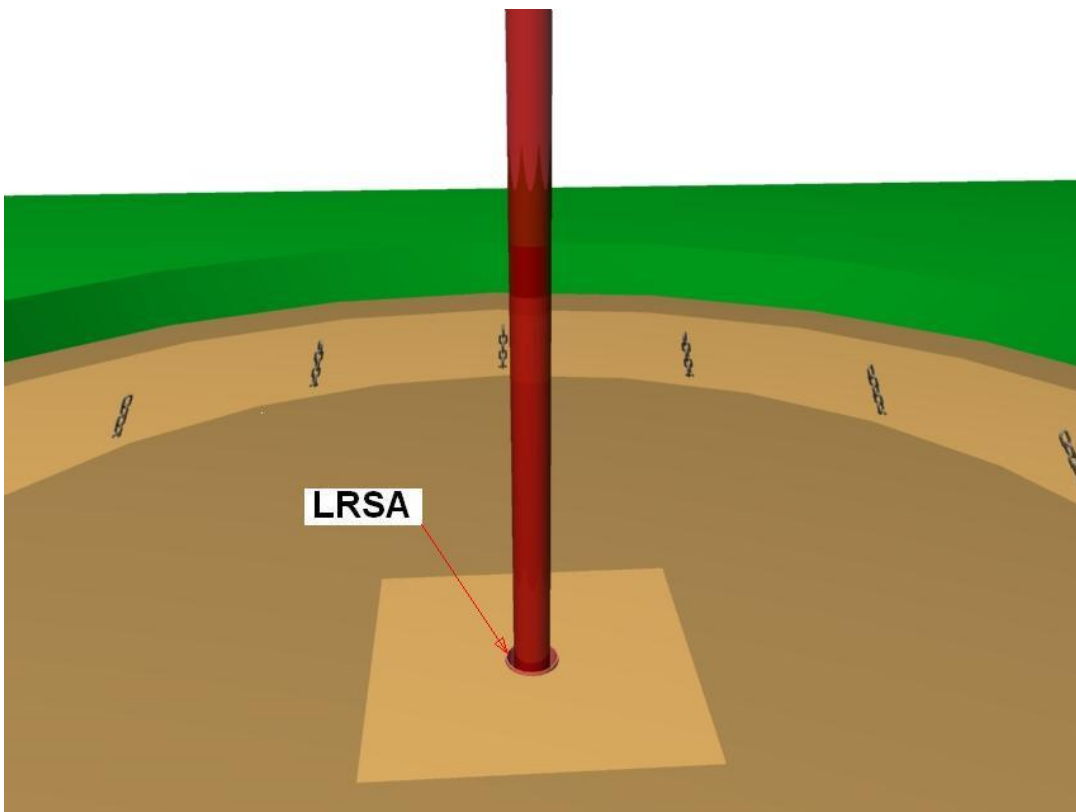
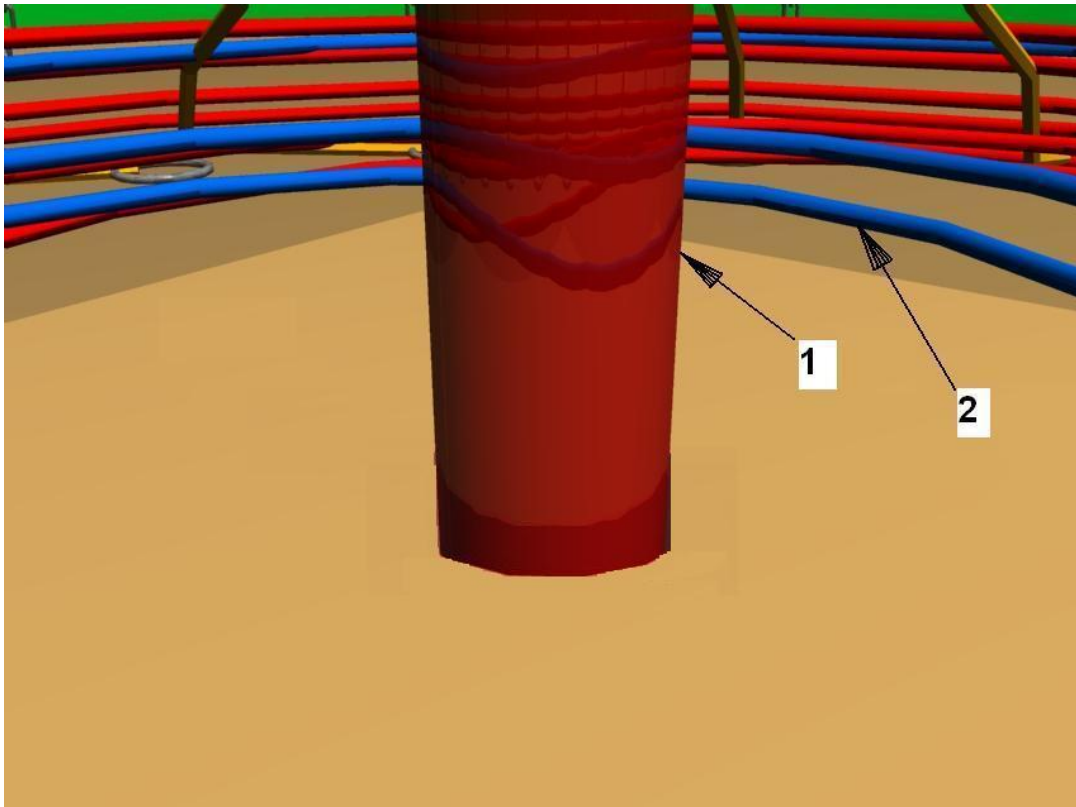
The images (individual drawings) are not to scale!!

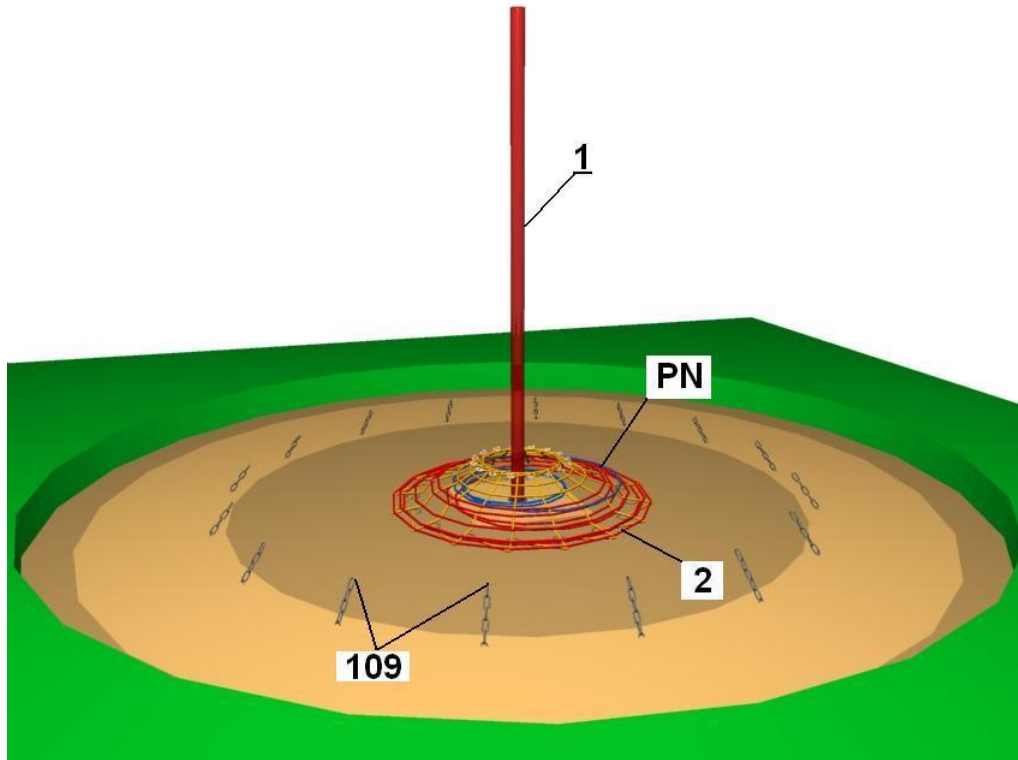


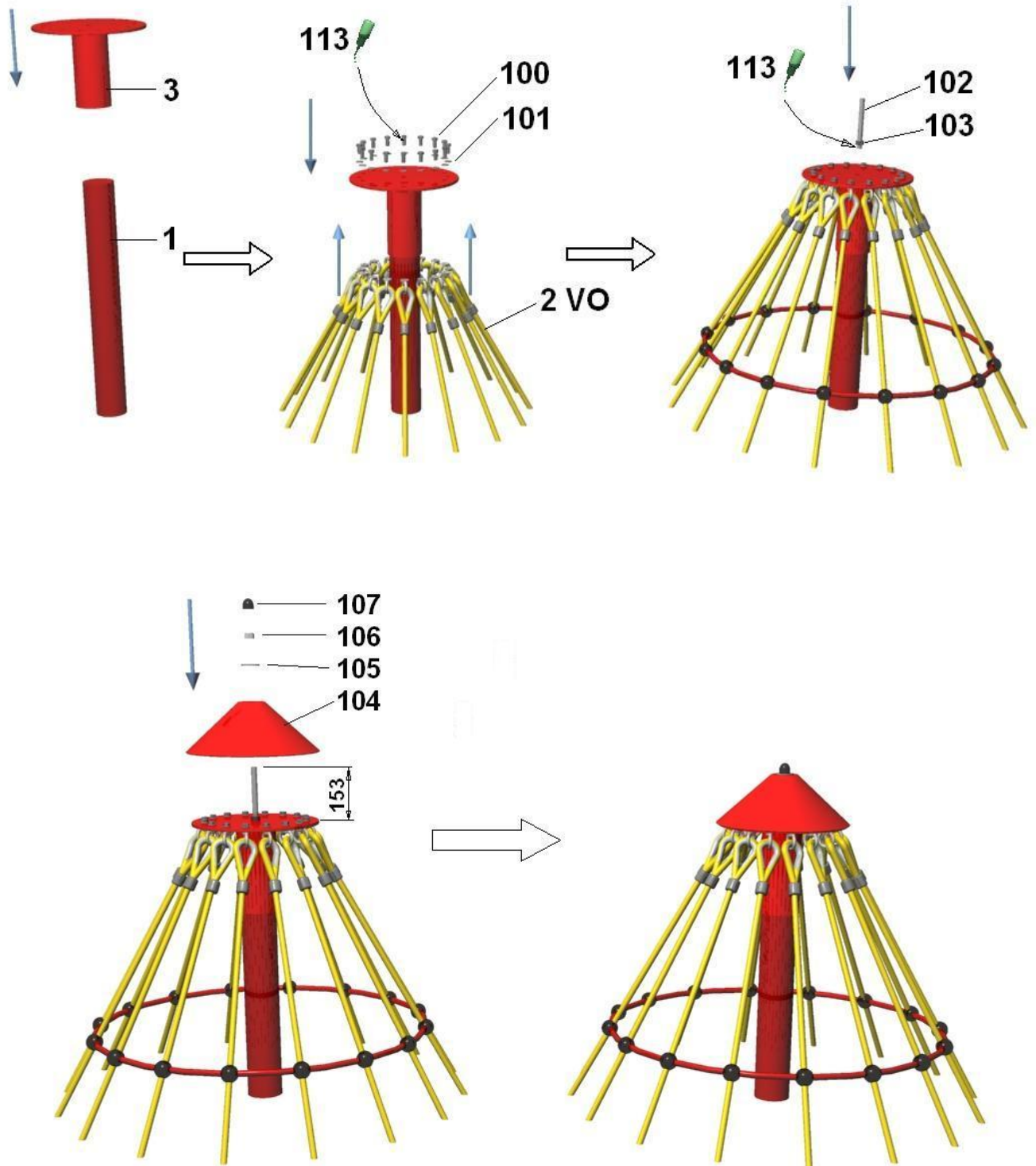


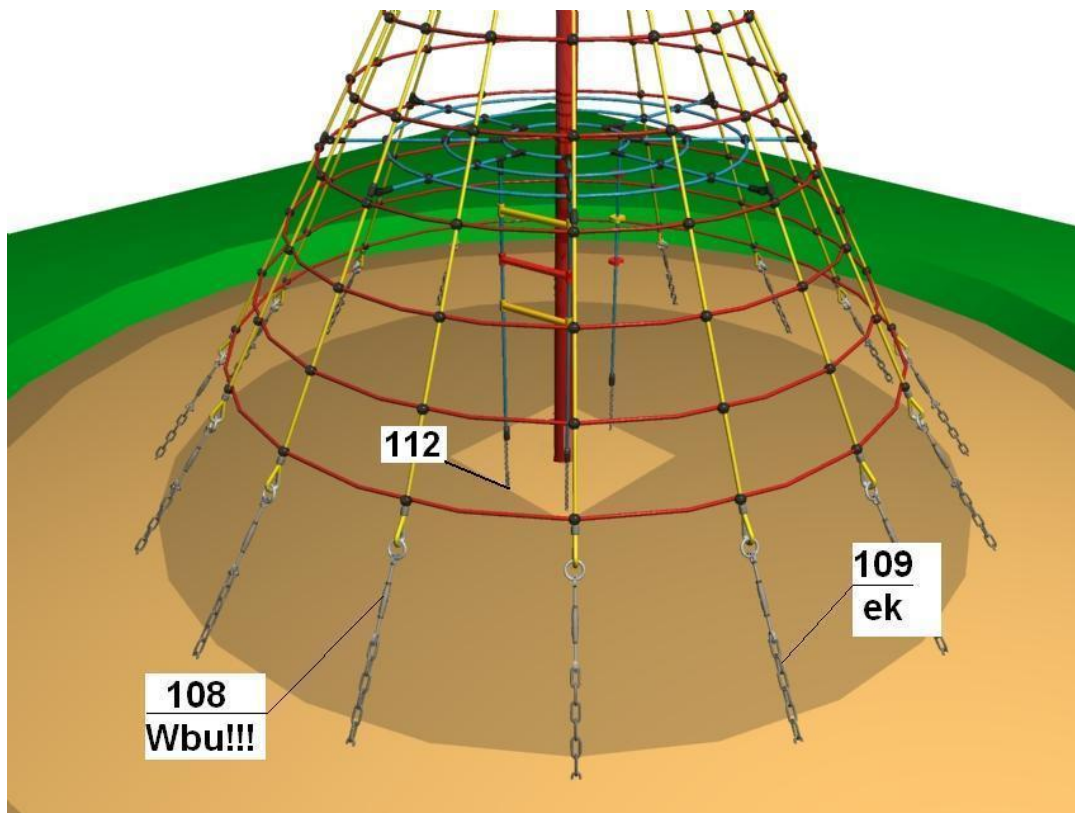
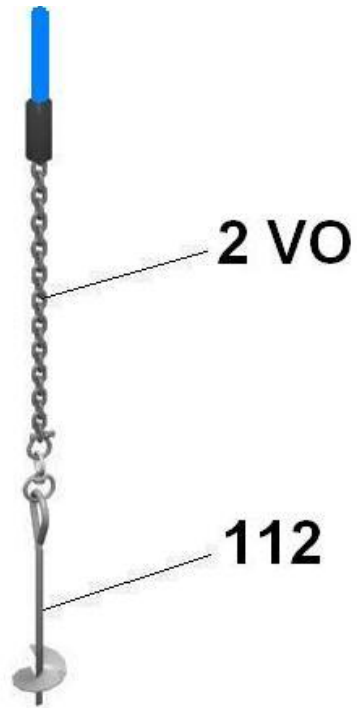












	Version: "mini" Cheops pyramid
AP	Anchor plates
AE	Anchor chains are fixed to the ground with pegs.
ek	Chains can be shortened during assembly.
F	Protective ground system
FR	Radius of base minimum 10 cm
G	Soakaway layer
KNR	Empty conduit (e.g., concrete or PVC channelling pipe) Ø 150 mm; 0.50 m long on site (customer to provide)
LRSA	Gap (between empty conduit and steel mast) to be filled with sand!
ML	Mast length over playing level
O.K.	Top edge playing level
PN	Place netting package with the underside on the base over the empty conduit!!!
PS	Required space including safety area ~32,1 m ²
R	Radius
sw	in layers (fill in earth and compress)
VO	pre-assembled
Wbu.	Swivels: close bushing holes with plugs after tightening and before filling in safety system on site!!!

See drawings

5 Examination after installation



If the equipment is not installed in a secure manner you must ensure that access is closed to the public.

5.1 Marking the fill level

- Marking the equipment in order to indicate the fill level of the drop protection material (and/or of the loose wadding).

5.2 The equipment has not been installed safely if:

- The installation of the equipment is still incomplete.
- The impact-absorbing surface has not yet been installed.
- The guarantee of safety in operation cannot be given by the appropriate maintenance works.

5.3 Removal of all assembly aids

- It should be checked whether all assembly equipment have been removed from the playing area. The playing equipment must not be released in advance.

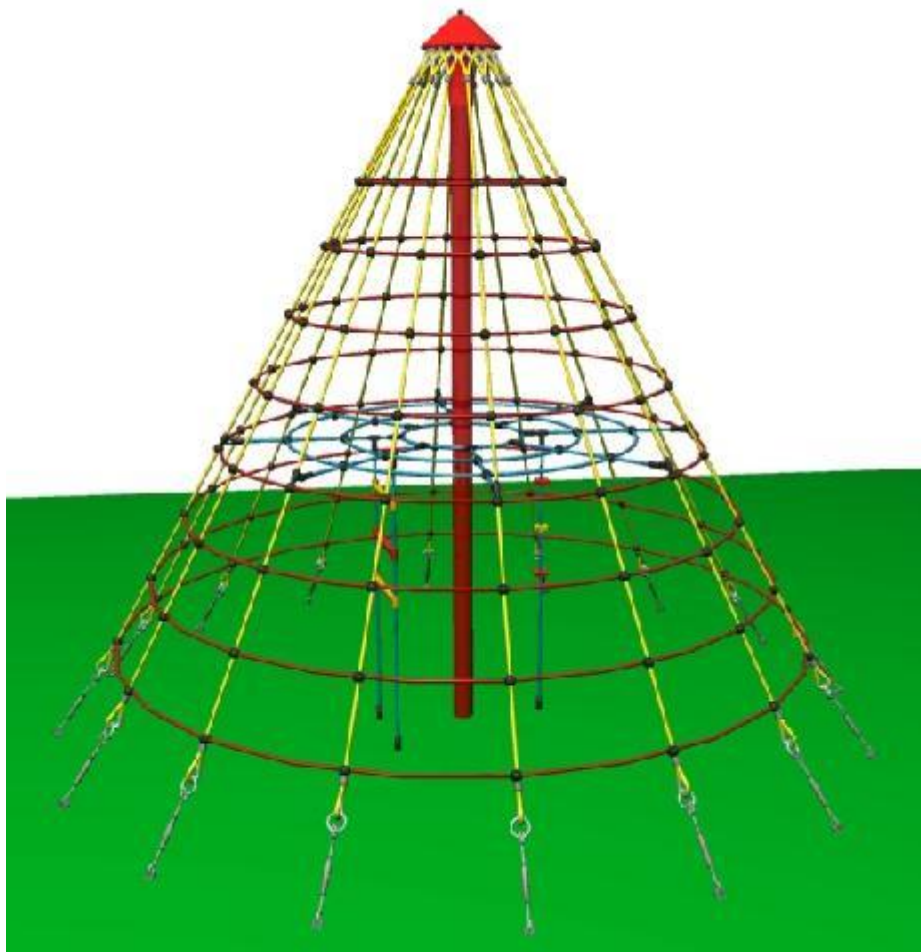
5.4 Details concerning the acceptance of the equipment before the first use

- No special acceptance conditions apply.

5.5 Tighten pins

- A week after the first use of the equipment all the pins should be tightened again. After that, it is done when maintenance is carried out.

B Maintenance Instructions for the Cheops-Pyramid Mini (EU-Gsm) Article No. 4643-1B (for embedding)



History or revisions

Revision 0 – 2007-05-31
First version issued

Maintenance instructions

Revision 6 – 2016-06-14
Bodenkl. 2 und 3 FH

All rights reserved

© Copyright 2004 Huck Seiltechnik GmbH

6 Introduction: Maintenance

6.1 General

The installation, inspection, maintenance and operation are to be carried out in accordance with the guidelines of EN1176-7.



General Notice: Well maintained playing equipment can never pose a danger for those who play on it. It is a requirement, however, that regular checks follow and repairs are carried out as and when necessary.

Any spare parts which may be required can be obtained directly from your supplier.



Assembly, maintenance and repairs are only to be carried out by **qualified personnel**. A copy of the maintenance log is to be handed over to the operator as a receipt.

These maintenance instructions are based on “EN 1176-1:2008” standard.

7 General notes on maintenance work

7.1 Intervals between maintenance

The interval between maintenance works depends on the average use. We emphasise that the more the playing equipment is used, the more frequent should be the checks and/or maintenance.

7.2 Frequency of inspections

The frequency of inspections depends on the actual use. The influencing factors are: Vandalism, location (e.g. proximity to coast), air pollution, age of the equipment etc.

7.3 Maintenance products and maintenance procedures

All pins and nuts are either hot-dip galvanised or made of high grade steel. High grade steel has the characteristic of uncontrolled galling during tightening of the nuts. Therefore it is essential to spray the pins and nuts with Teflon or any other similar lubricant.

7.4 Replacement parts

All spare parts must conform to the manufacturer's specifications.

7.5 Identification of replacement parts

All replacement parts are listed in the inventory. The inventory can be found in Chapter 3.

7.6 Special treatment for the disposal of individual components

No special treatment for the disposal of individual components is necessary.

7.7 Special measures in the break-in period

Within 2 weeks after assembly, all screw connections are to be examined for firmness and tightened if necessary.

7.8 Discharge openings

All discharge openings are to be kept clear.

7.9 Maintenance of the drop protection floors

The drop protection floors must be regularly maintained. Especially the level of loose wadding must be maintained and refilled if necessary.

7.10 Established faults



Attention

Any detected fault must be rectified immediately. In case of serious defects in the equipment which could prove hazardous, it is to be closed to the public immediately.

7.11 Loose screws



Attention

Loose screws are always a risk to quality and safety. Therefore loose screws should always be tightened and the absence of screws be monitored (e.g. keep an eye out for visible holes).

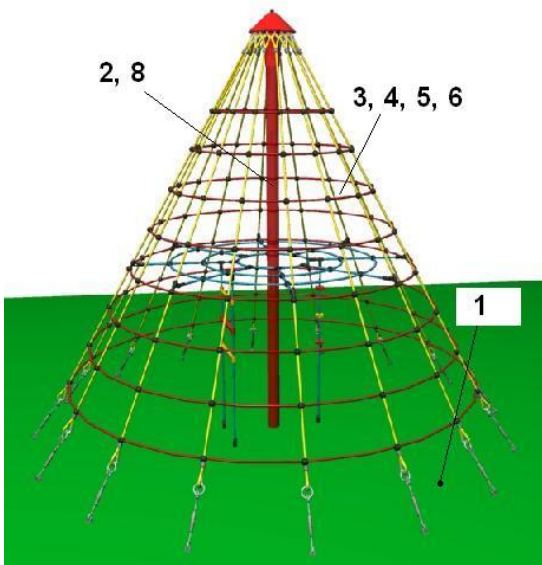
7.12 Shutting down the playing equipment

The playing equipment is to be shut down in the case of: Incomplete installation, dismantling, maintenance and repair work as well as when there are faults with the equipment.

7.13 Guarantee

We give a guarantee for the steel posts and post shoes only if regular maintenance is carried out and this is recorded in writing. The first maintenance check takes place after 3 years; the steel posts up to the concrete foundations must be opened up and checked for corrosion. Places of corrosion and scratches are to be painted with zinc-based paint.

8 Routine maintenance



m = monthly

$\frac{1}{4} j$ = every 3 months $\frac{1}{2} j$ = every 6 months

		m	$\frac{1}{4} j$	$\frac{1}{2} j$
1.	Check the subsoil in the fall and safety area for hard objects and dislodged foundations.	X		
2.	Check stability (upright posts, tongues, struts, foundations, etc.).			X
3.	Check all links and metal bindings for wear, tighten where necessary. Change damaged parts.	X		
4.	Check moving metal parts (hinges, tongues, etc.) for ease of movement and wear, change where necessary. Hinges need not be lubricated as we use only metal antifriction bearings.	X		
5.	Check all components (chains, cables, nets, etc.) for damage. Replace where necessary.	X		
6.	Check rubber parts, collars, sliding rings for wear or damage. Change where necessary.	X		
7.	Check surface wooden components for weather damage or other external factors and repair (apply glaze), and if necessary replace.	X		
8.	Check surface components made of artificial materials and metal (e.g., slides) for damage and change where necessary.	X		

We recommend you carry out **inspections and maintenance** in the indicated time frames as wear and tear can be caused through use of the playground, climatic factors or intentional vandalism. This can pose a risk to safety and render the equipment inoperable.

Where defects are recorded that could compromise safety, swift action must be taken, either through immediate repairs or the dismantling and closing of the apparatus!

Defects that affect operability lessen the apparatus's recreational value and encourage intentional vandalism, which can eventually lead to a breach of safety. Damage should be repaired promptly.

Maintenance and repair are to be carried out by technical experts only.

General: A play apparatus that is routinely checked will not be damaged to the extent as to render it dangerous. This, however, entails routine checks being followed by repairs when necessary.

9 Maintenance schedule

9.1 Special notes

9.1.1 Intervals between maintenance

It is strongly recommended that the checks and maintenance work is carried out in the periods indicated before using the equipment. Damage caused by the weather or extensive wear and tear can all occur, which can in turn present a safety risk and loss of function.

9.1.2 Interval between maintenance with heavy use

We emphasize that with heavy use of the playing equipment, increased checks and/or maintenance are to be made.

9.1.3 Faults which impair safety



Faults which impair safety must be rectified immediately. It can be done by immediate repair or by dismantling or shutting down of the equipment.

9.1.4 Faults which impair function



In addition, faults which impair function should be repaired immediately. Such faults reduce the playing value of the equipment and stimulate extensive damage which could possibly result in a safety risk. In addition the damage should be repaired immediately.

10 Maintenance work which is to be carried out every month:

- Check gaps between equipment and floors (distance and/or maximum head).
- Examine the underground area in the drop and save area for hard articles and foundations which have worked loose.
- Test all connecting elements and fittings for wear and tear and for poor fittings. Replace all damaged or missing parts.
- Check mobile metal parts (joints, springs etc) for ease of movement and wear and tear.
- Check all construction elements like chains, cables, nets etc, for damages and replace if necessary.
- Check all rubber parts, seals etc for wear and tear or damage and replace if necessary.
- Remove, if possible, any excess wadding on post shoes. This poses the risk of rotting.
- Only for play equipment with wooden parts: Check surface areas made from wood for damage from the weather, foreign influences or for cases of mould and repair or replace as necessary.
- Check surface areas made from plastic and metal parts for damage and replace if necessary.

11 Maintenance work to be carried out every quarter

- Detailed inspection of how the equipment operates and the stability of the equipment in particular in relation to any wear and tear.
- Tighten all attachments.
- Touch up and follow-up treatment of surfaces.
- Maintenance of drop protection linings.
- Lubricate joints.
- Examination of the head. If necessary fill up the loose wadding accordingly. Refill the labelled posts up to the marking.
- Tighten pins

12 Maintenance work to be carried out every 6 months

- The stability of supporting posts, supports, foundations etc is to be checked. The safety level of the entire system is to be checked after repairs have been carried out or additional system components have been installed or replaced.



Major annual check

•

13 Maintenance work to be carried out annually

- The entire equipment as well as the foundations and the surfaces are to be examined for their general condition.
 - The equipment is to be examined in particular for the presence of rot and corrosion. In addition, certain parts are to be unearthed and/or opened if necessary. Places of corrosion and scratches are to be painted with zinc-based paint.
 - The stability of the condition posts, props, foundations etc is to be examined. After repairs have been carried out or any part installed or replaced, the entire equipment is to be examined for safety.
 - Ascertaining whether there are any changes in equipment safety as a result of repairs that have been carried out or components that have been added or replaced.
-



The inspection of the equipment must only be carried out by qualified personnel as per the instructions given by Huck Seiltechnik GmbH and any fault established must be logged in writing.

A copy of the examination and maintenance log is to be given to the operator as a receipt.

•

14 Maintenance log

Equipment name: Cheops-Pyramid Mini (EU-Gsm), embedded / Article No. 4643-1B

Location: _____

Customer or operator: _____
(Town, local authority, nursery school)

Day of the inspection	Evaluator	Status	Cannot be played on	Closed down	Faults	Faults repaired by	Date

**Every year, after the major inspection, please make a copy and fax it to the manufacturer 01308 425100.
The confirmation form is contained within the file on the playing equipment.**

15 Hand over document



After the erection of the equipment is completed, the installation and maintenance documents must be given to the operator. The hand-over of the documents is to be acknowledged. The entire hand-over document duly filled in and signed is then sent back to the supplier.

Article No. 4643-1B

Type of item: Cheops-Pyramid Mini (EU-Gsm), embedded

Serial number: _____

Customers or operators (town, local authority, nursery school, etc.):

Person-in-charge:

Assembly Company (address):

Designated employee (assembler):

Complete assembly instructions, maintenance instructions and maintenance log received in full.

(Signature of operator)
(Stamp)

(Signature of Installation Company)

Date: _____