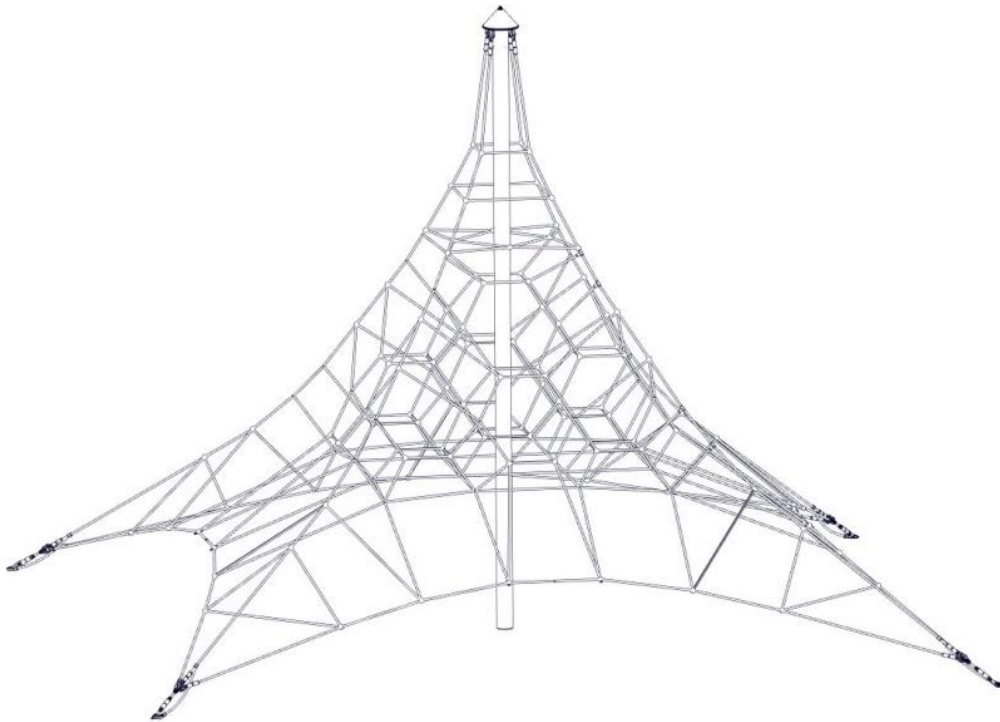


A Assembly Instructions Spider, Art. No. 5000-6-4

Attention! Only use the assembly instructions included in the scope of delivery for the assembly, installation and maintenance of the respective equipment!



Operator: _____

Location: _____

Revision history

Revision 0 – 2013-11-27

The first allowed version

Assembly Instructions

Revision 12 – 2021-07-27

Neue Form der Anleitung FH

All rights reserved

© Copyright 2015 Huck Seiltechnik GmbH

Contents

A	Assembly Instructions Spider, Art. No. 5000-6-4	1
1	Introduction Assembling	4
2	Data sheet Spider, Art. 5000-6-4	6
3	Delivery contents (parts list with part numbers)	8
4	Required Spaces - Top view	14
B	Maintenance Instructions Spider	27
5	Introduction Maintenance	28
6	General maintenance information	29
7	Maintenance timetable	31
8	Regular maintenance	32
9	Monthly maintenance	33
10	Quarterly maintenance	33
11	Half yearly maintenance	33
12	Annual maintenance	34
13	Maintenance printout	36
14	Hand over document	38

List of Tables

Table 3-1: Delivery contents, in words	8
Table 3-2: Delivery contents, in symbols	9

1 Introduction Assembling

1.1 General information

This equipment should be installed, inspected, maintained and operated in accordance with EN1176-7 guidelines.

Before installation work commences, please check that you have all of the equipment and fixation components in the parts list provided (see Tables 3-1 and 3-2).

Please consider that the installation has to be carried out only on even terrain (max.slope up to 3%).

Any spare parts that may be required can be obtained directly from your supplier or from Fa. Huck Seiltechnik GmbH

Adress: Huck Seiltechnik GmbH
Dillerberg 3
D-35614 Asslar/Berghausen
Tel. +49 6443 83 11-0
Fax +49 6443 83 11-79

Please do not hesitate to call your supplier if you have any problems during installation or with any other questions. You can reach us at the following
Tel. +49 6443 83 11-0



Following installation, complete assembly instructions, maintenance instructions and a maintenance record must be sent to the operator who must confirm receipt in writing. See the last page of this document.



All nuts and bolts are hot-dip galvanised or stainless steel. One of the characteristics of stainless steel is that uncontrolled cold welding may occur when the nuts are tightened. To prevent this, it is necessary to spray the nuts and bolts with Teflon spray or another similar lubricant.

Drawings / Views

All optical drawings are showing only the measurements/dimensions and are no mandatory technical views of the complete item.

We reserve the right to change technical details of our articles which are serving for the further development of our articles and are reasonable for the customer.

Measurement tolerances

Because of the properties and characteristics of the components, minor measurement tolerances compared to the indication on the sketches are possible.

This concerns all shown measurements except the foundation measurements resp. measurements below upper edge ground level/play area.

2 Data sheet Spider, Art. 5000-6-4

1. Component zone: 8.75 m x 8.75 m (GE)
 Safety zone: 10.36 m x 10.36 m (PSN)
 Installation zone: 12.91 m x 12.91 m (larger than the safety zone!) (MO)
 recommended safety area: 11770 x 11770 mm (PSE)
 Total ground height: 6.40 m
 Fall height: 1.85 m
 Fall protection area: 97.3 m²
2. Required safety surface:

Surface material	Description / mm	Minimum thickness of layer / mm	Maximum height of fall / mm
Chipped bark	20 – 80 Particle size	300	≤ 2000
		400	≤ 3000
Wood chippings	5 – 30 Particle size	300	≤ 2000
		400	≤ 3000
Sand	0,25 – 2 Grain size	300	≤ 2000
		400	≤ 3000
Gravel	0,25 – 8 Grain size	300	≤ 2000
		400	≤ 3000
Other ground materials	As recommended by manufacturer		Critical drop height as tested

Sand and gravel must be well rounded to remove most of the silty or clayey particles. Washed sand or gravel is considered to be alluvial and free from silty or clayey particles. With gravel this is generally described as "pearl gravel". Degree of non-uniformity D60/D10 < 3.0. The grain size can be determined by using a sieve method.

4. Name and overall dimension of the largest component:
Steel post / lg. 7220 mm, Ø 193,7 mm
5. Name and weight of the heaviest component:
Steel post / 210 kg
6. Intended age group: 6 years and over
7. **Please note that this equipment is set in concrete.**

Foundation:

Concrete: C25/30
 Required concrete: 8,70 m³
 Foundation size: 4x – 1700 x 1700 x 700 mm
 1x – 1000 x 1000 x 600 mm
 Concrete upper edge: 400 mm below upper edge (O.K.) of play level

Excavation size:

4x – 1700 x 1700 x 1200 mm (incl. 100 mm drainage layer)
 1x – 1000 x 1000 x 1100 mm (incl. 100 mm drainage layer)

8.



Attention!

Sizes of foundations are “4-5” (natural ground).

Soil class 4: soft to medium plasticity, interleave bound, with minor portion of stone (portion < 30% with bigger diameter of 63 mm grain size).

Soil class 5 : ground with soil class 3 and 4 with big portion of stones (portion > 30% with bigger diameter of 63 mm grain size).

In case of sandy and soft soils, the surface measure of foundations have to be enlarged for about 50%!

9. Assembly time, once foundations completed: 3 hours.
Required assistants: 3 persons.
10. Any spare parts which may be required can be obtained directly from your supplier.
11. **We hereby confirm that this item of play equipment has been tested and certified in accordance with the play equipment standard EN 1176.**

3 Delivery contents (parts list with part numbers)

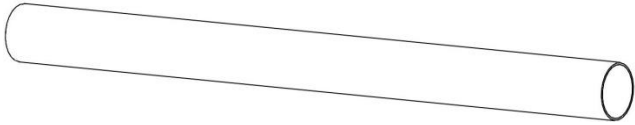
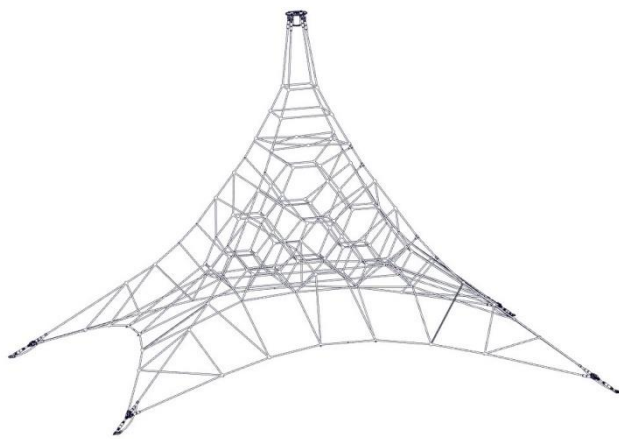
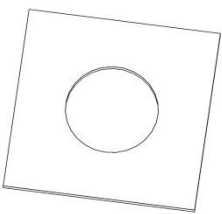
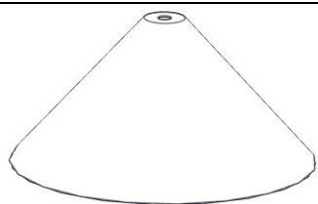
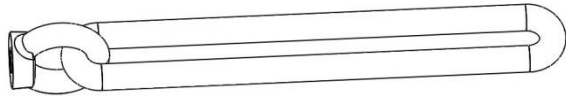
3.1 In words

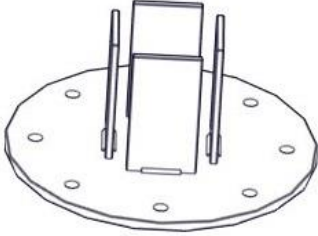
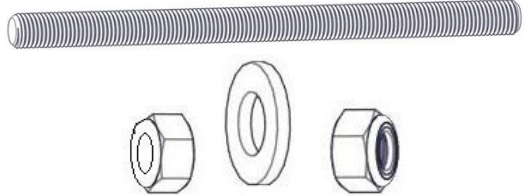

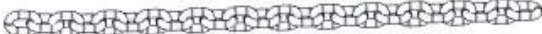
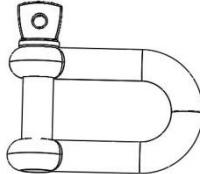
Table 3-1: Delivery contents, in words

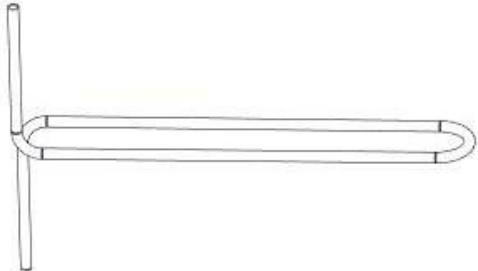
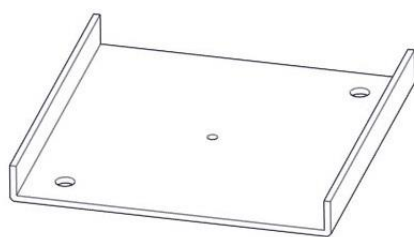



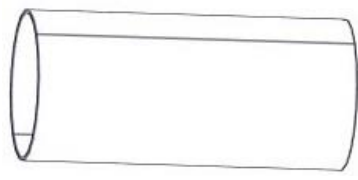
Pos.	Quantity	Element / Description	Size	O.K.	Missing
01	1	Steel post	Lg. 7220 mm / Ø 193,7 x 6,3 mm		
02	1	Net component	Ca. 8200 x 8200 mm		
03	2	Rubber membrane (pre-assembled on Pos.02)	400 x 400 mm		
04	1	Mast cap	Ø 360 mm		
05	1	Eyebolt with lifting rope (only for lifting the net - will be removed later)	M16		
06	1	Net Plate-Post Connector (pre - assembled on Pos.2)	Ø 360 mm		
07	1	Threaded bolt, nut, nyloc nut, washer	M16 x 165 mm		
08	4	Turnbuckle VA	M20		
09	4	Anchor chain	13 mm / Lg. 1250 mm		
10	8	Shackle galvanized	M12		
11	4	Foundation anchor galvanized	Ø 20 mm Lg. 750 mm		
12	1	Anchor plate	500 x 500 mm		
13	1	Loctite	3 ml		
14	64	Foundation Steel (provided by Customer)	Lg. 1600 mm / Ø 12 mm		
15	32	Foundation Steel (provided by Customer)	Lg. 650 mm / Ø 12 mm		
16	1	Middle Foundation Pipe (provided by Customer)	Lg. 650 mm / Ø 300 mm		

3.2 In symbols

Table 3-2: Delivery contents, in symbols

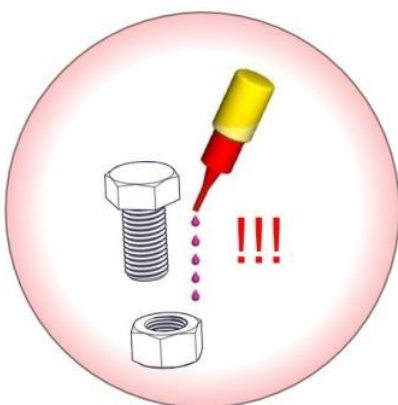
Pos.	Quantity	Symbol
01	1	 <p>Lg. 7220 mm / \varnothing 193,7 x 6,3 mm</p>
02	1	 <p>Ca. 8200 x 8200 mm</p>
03	2	 <p>400 x 400 mm</p>
04	1	 <p>\varnothing 360 mm</p>
05	1	 <p>M16</p>

Pos.	Quantity	Symbol
06	1	 <p>Ø 360 mm (pre - assembled on Pos.2)</p>
07	1	 <p>M16 x 165 mm</p>
08	4	 <p>M20</p>
09	4	 <p>Lg. 1250 mm</p>
10	8	 <p>M12</p>

11	4	 <p>Ø 20 mm Lg. 750 mm</p>
12	1	 <p>500 x 500 mm</p>
13	1	 <p>3 ml</p>
14	64	 <p>Lg. 1600 mm / Ø 12 mm (provided by Customer)</p>
15	32	 <p>Lg. 650 mm / Ø 12 mm (provided by Customer)</p>
16	1	 <p>Lg. 650 mm / Ø 300 mm (provided by Customer)</p>

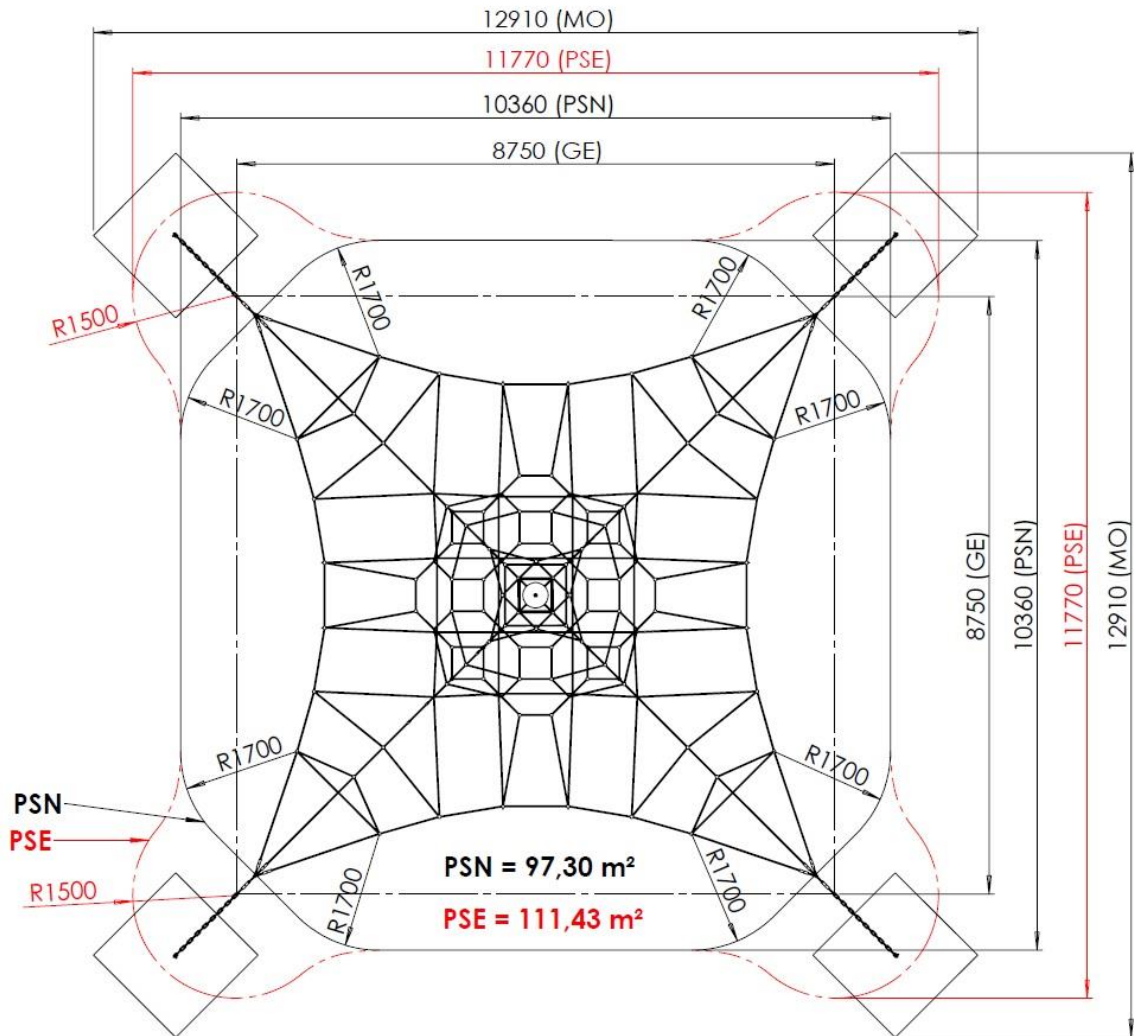
	<u>Abbreviations for Spider</u>
AB	The legally prescribed setting times must be observed!
BWk	Install reinforcement constructively!
D	Concrete C25/30 (for foundations)
DT	Detail view
EFB	Single foundation with reinforcement (4x)
ER	Ground, fall protection etc. (ground) 100 mm thick
F	Fall protection
FGS	Hook the catching rope with shackle pos. 10 onto the chain pos.9!
G	Drainage layer
(GE)	Geräteraum
KNR	Middle foundation pipe (On site customer) / Pos. 16
Lg.	Length
LRB	The intermediate space (fill the space between empty tube and steel mast with liquid concrete!)
MDN	Guide the mast through the net
ML	Mast length
M.Lot!!	Steel post must be set up vertically!
(MO)	recommended safety area
O.K	Upper edge of playing level
O.K.F.	Upper edge of foundation
(PSE)	Safety area incl. safety area according to recommendation
(PSN)	Safety area incl. safety area according to standard
R	Radius

Loctite-Thread locking adhesive!

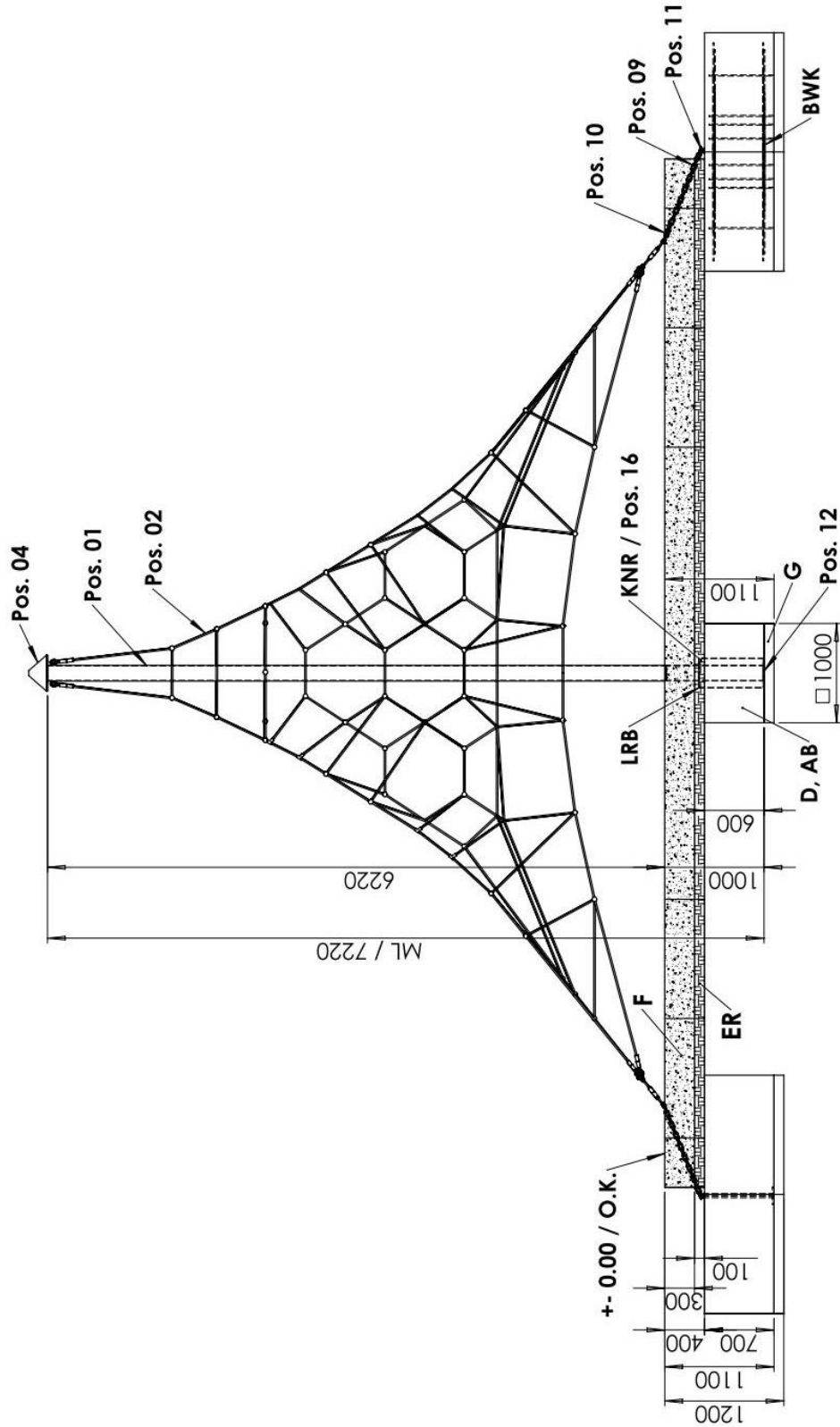


Glue all screws, nuts and sleeves with loctite.
(not less than 5 drops !)
(except for Nylock nuts)

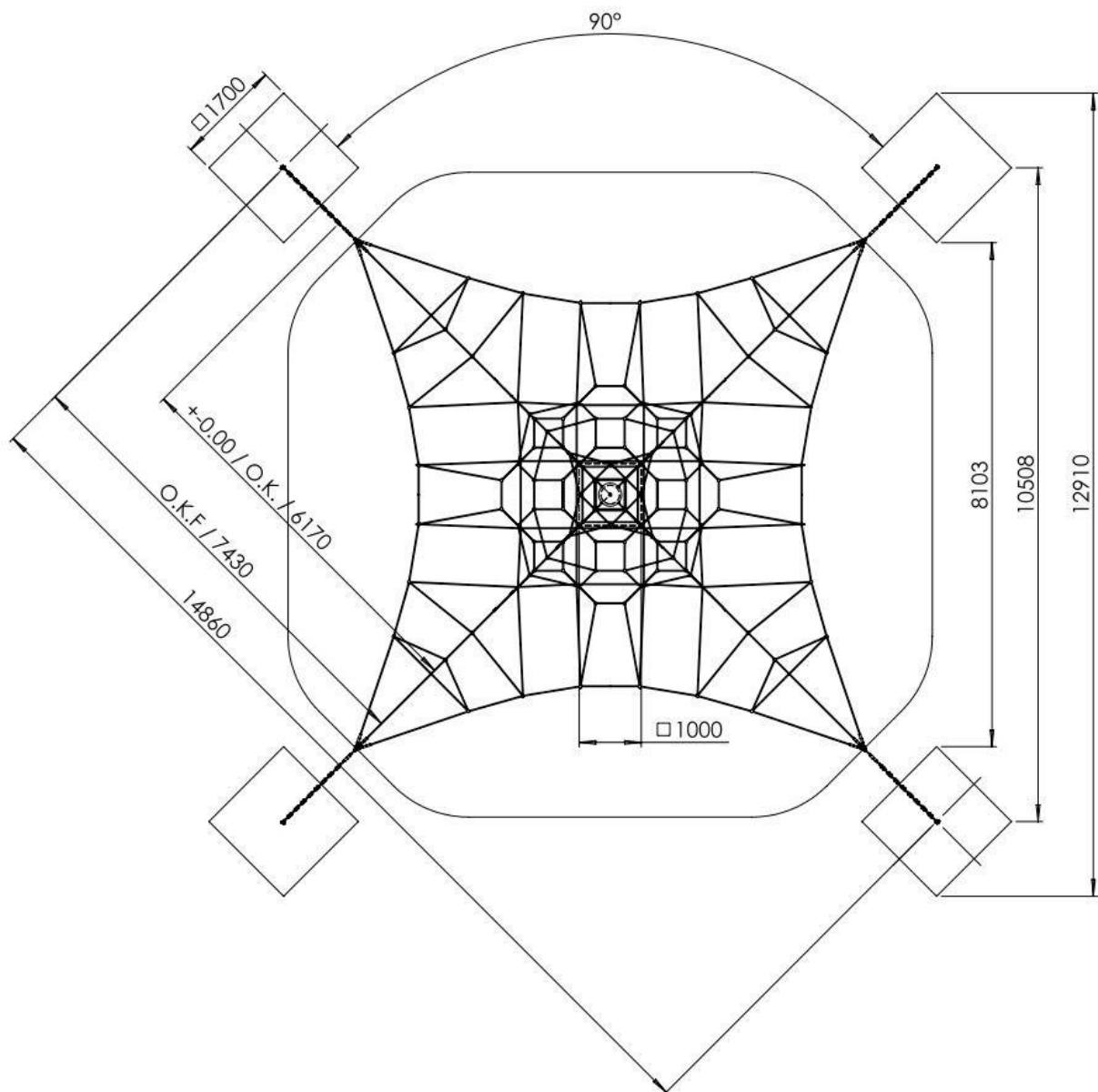
4 Required Spaces - Top view

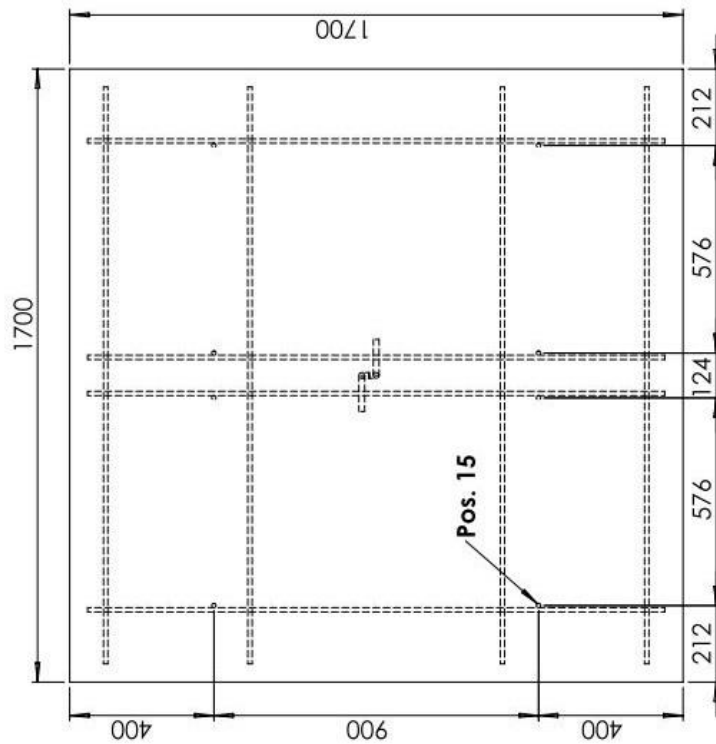
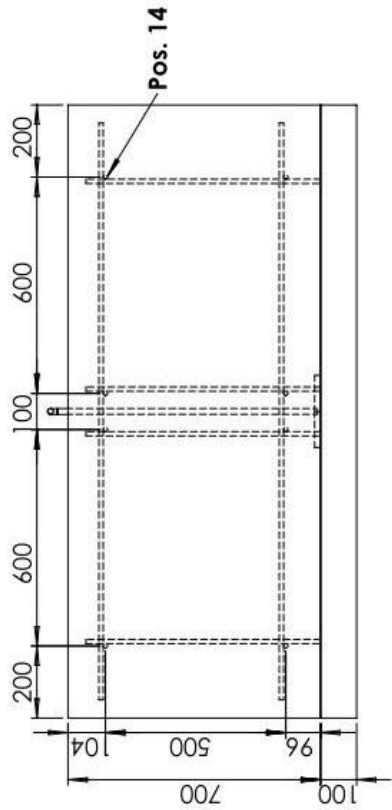
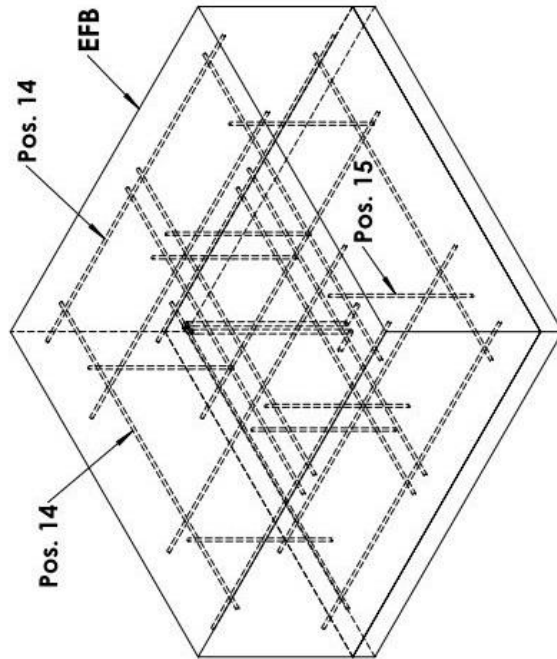
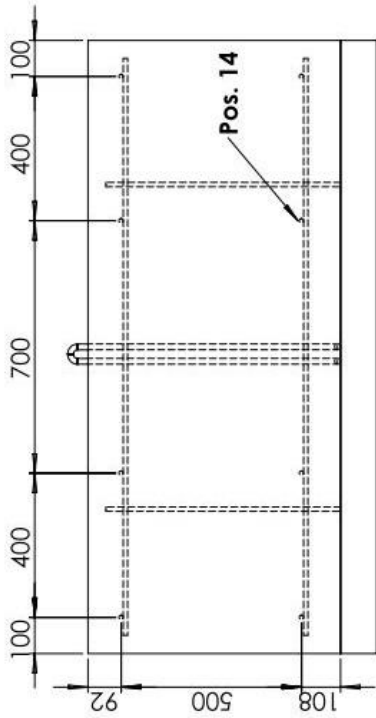


Foundation plan - Side view

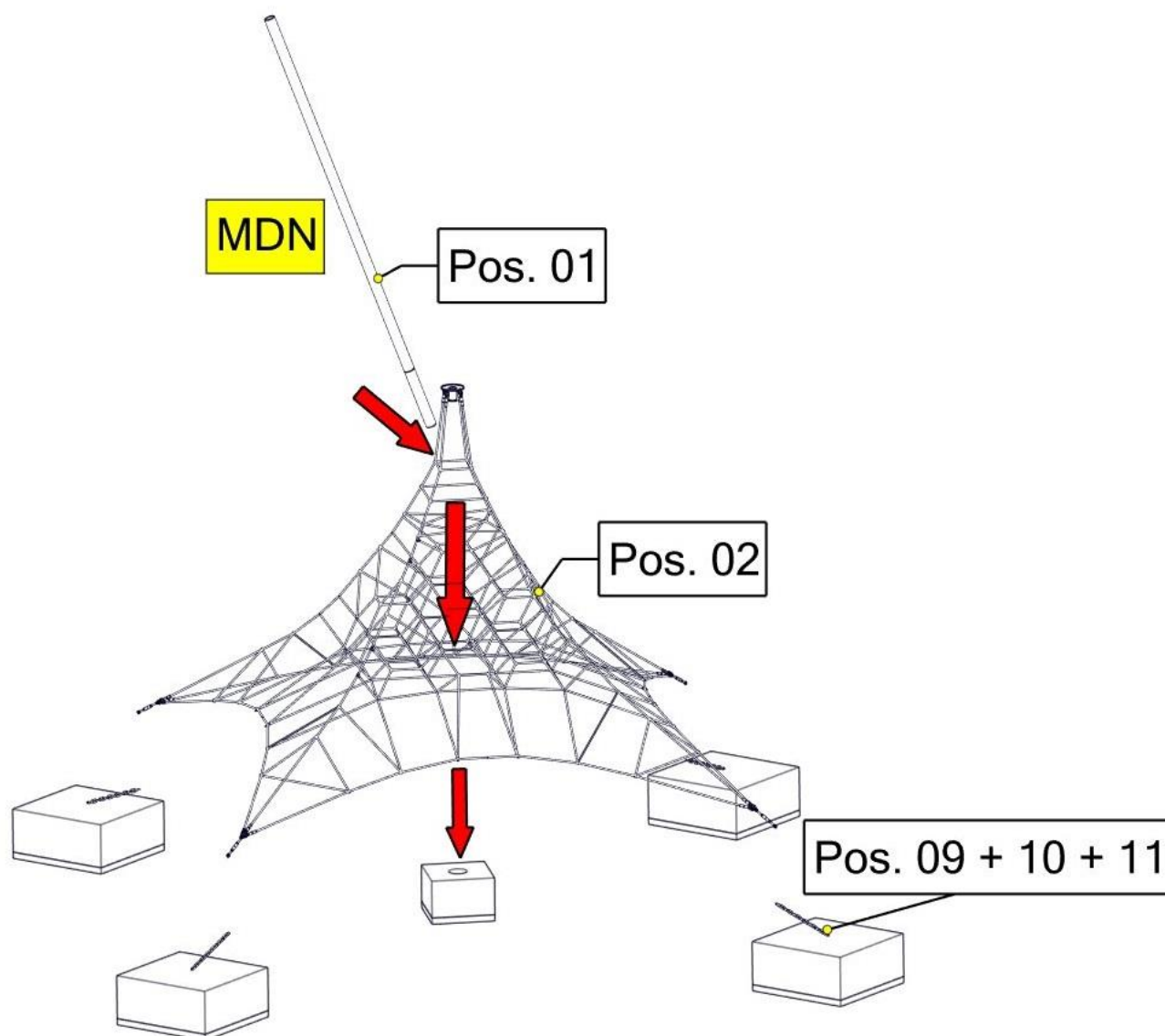


Foundation plan – top view

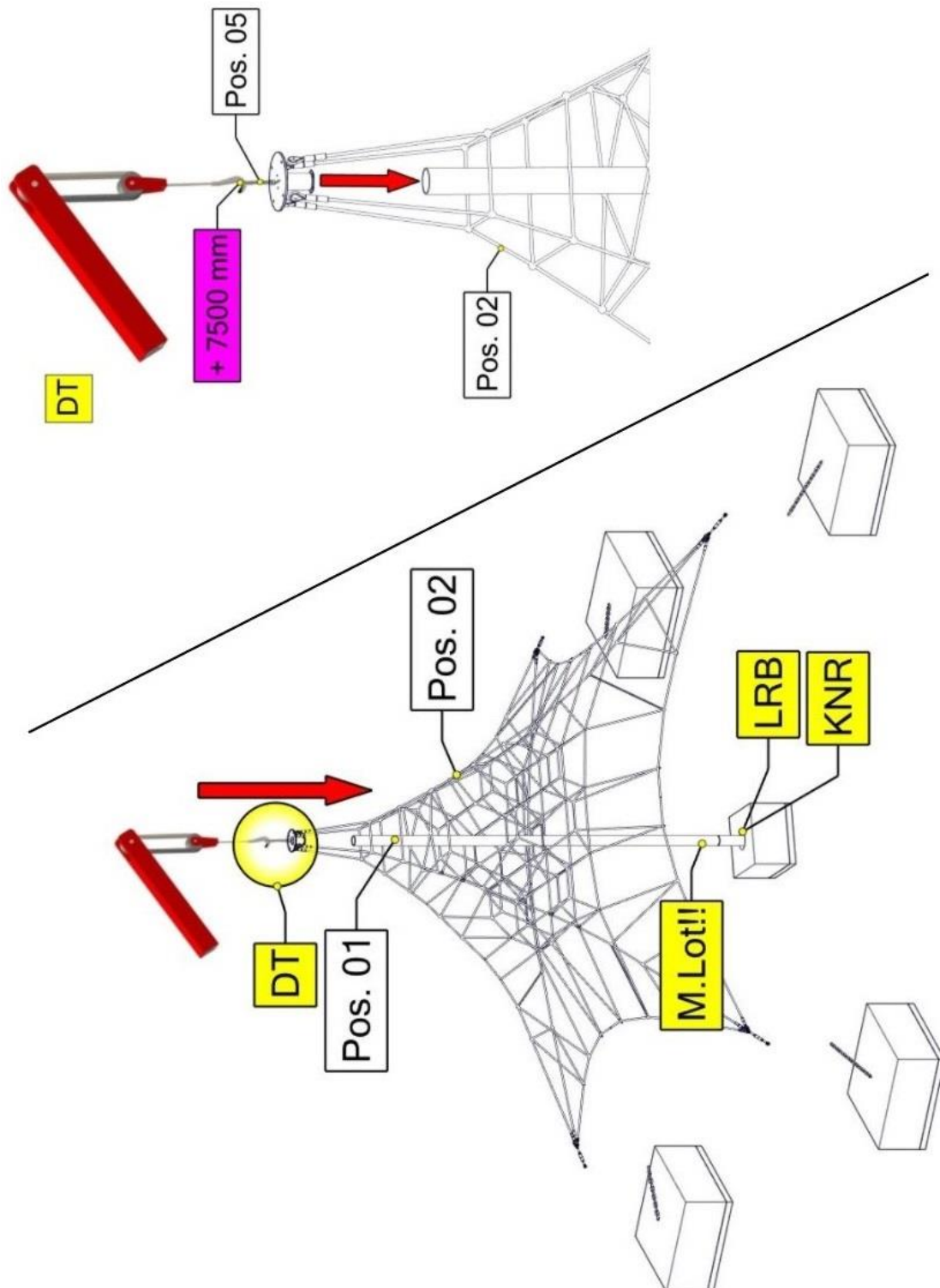




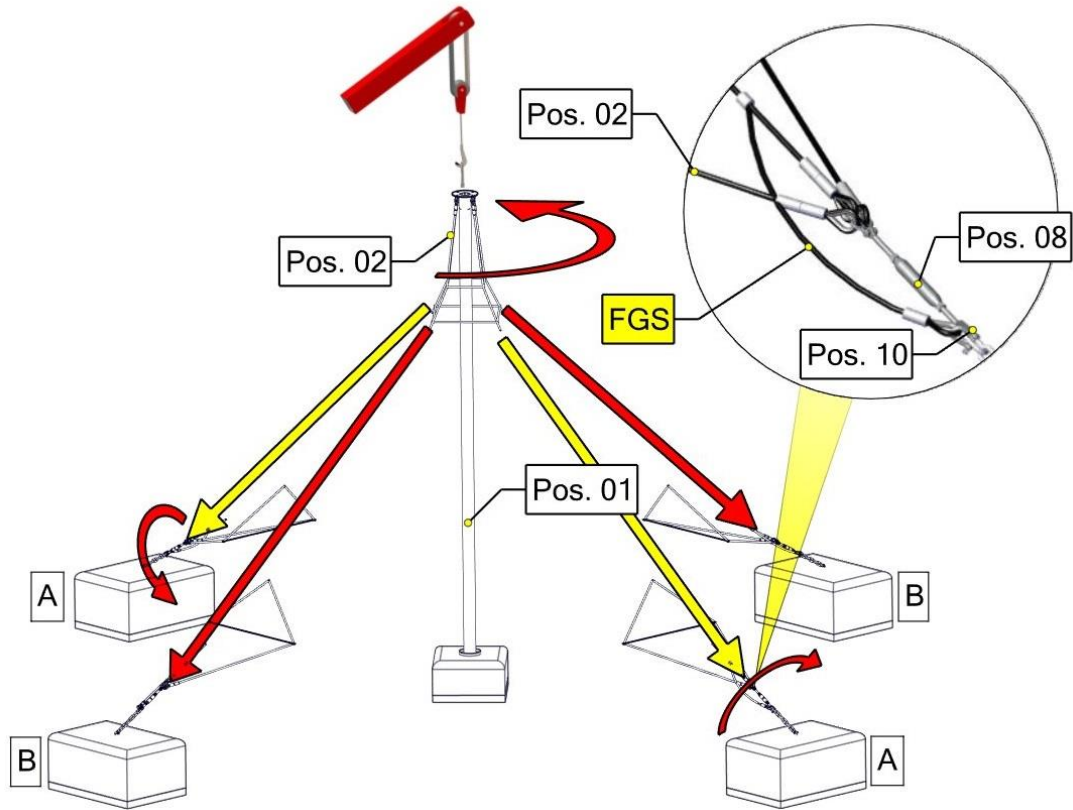
Installing Pos. 1



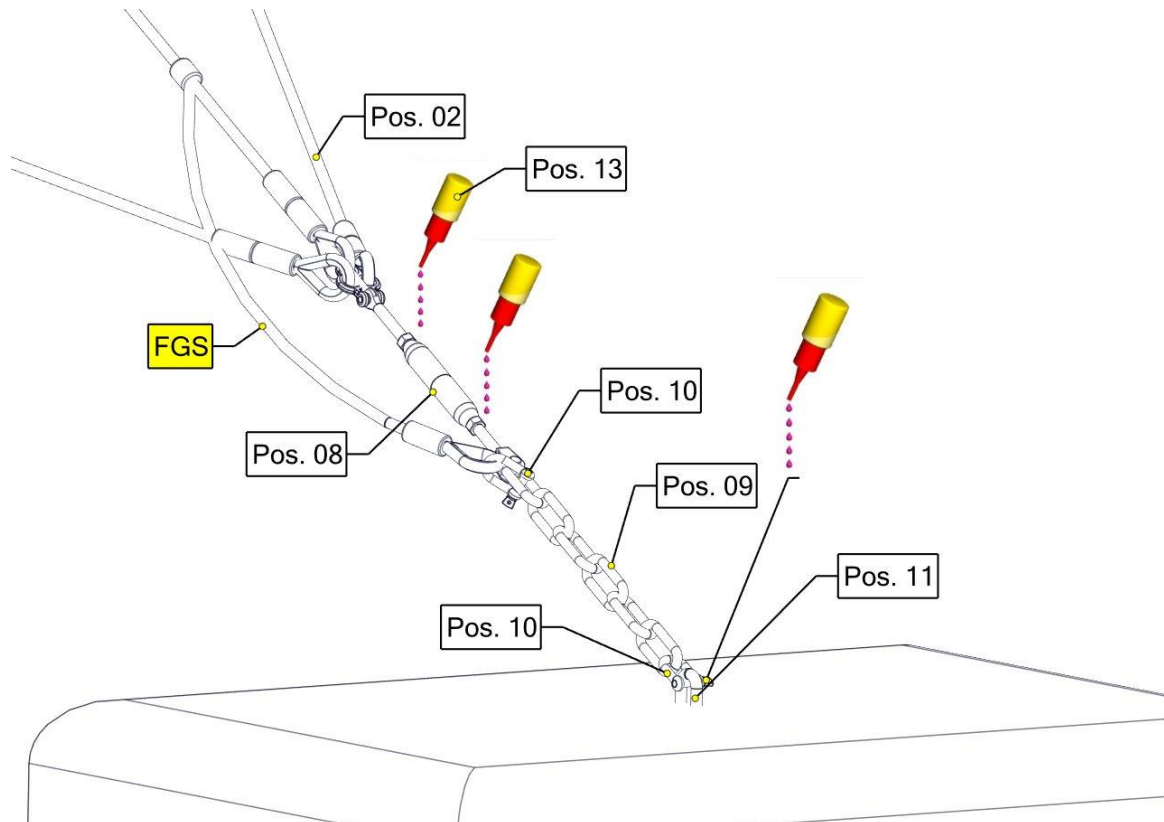
Installing Pos.2 –Raise net

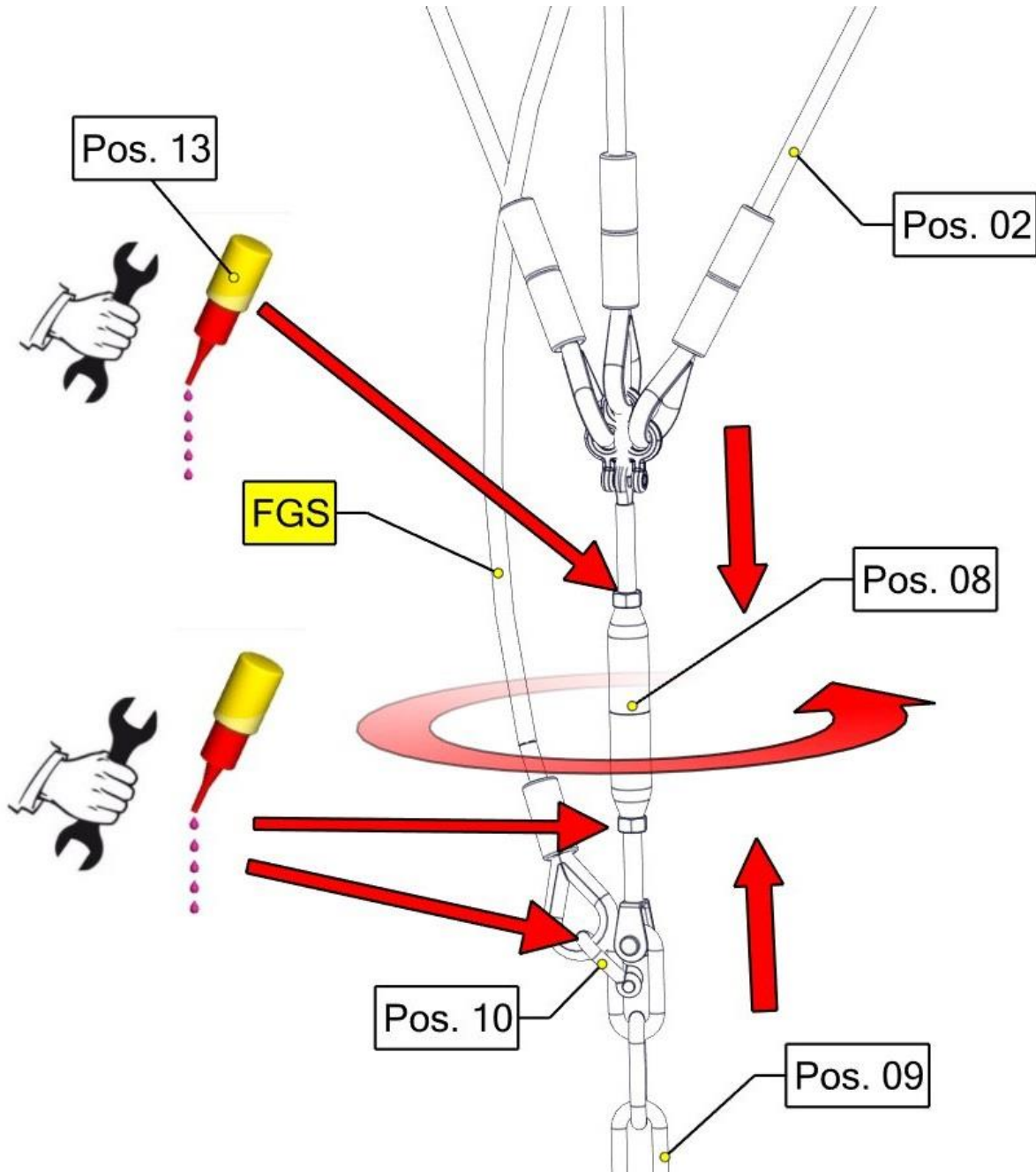


Net – Alignment

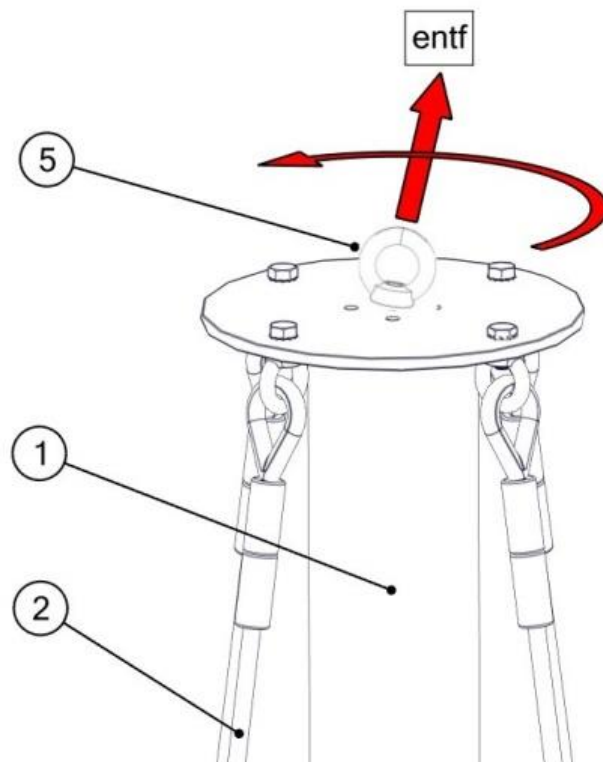


Net – Tensioning (Apply tension with 2 persons opposite from each other)

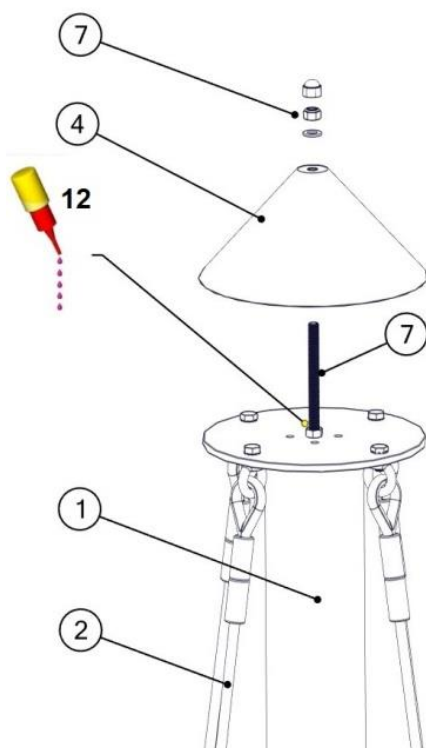


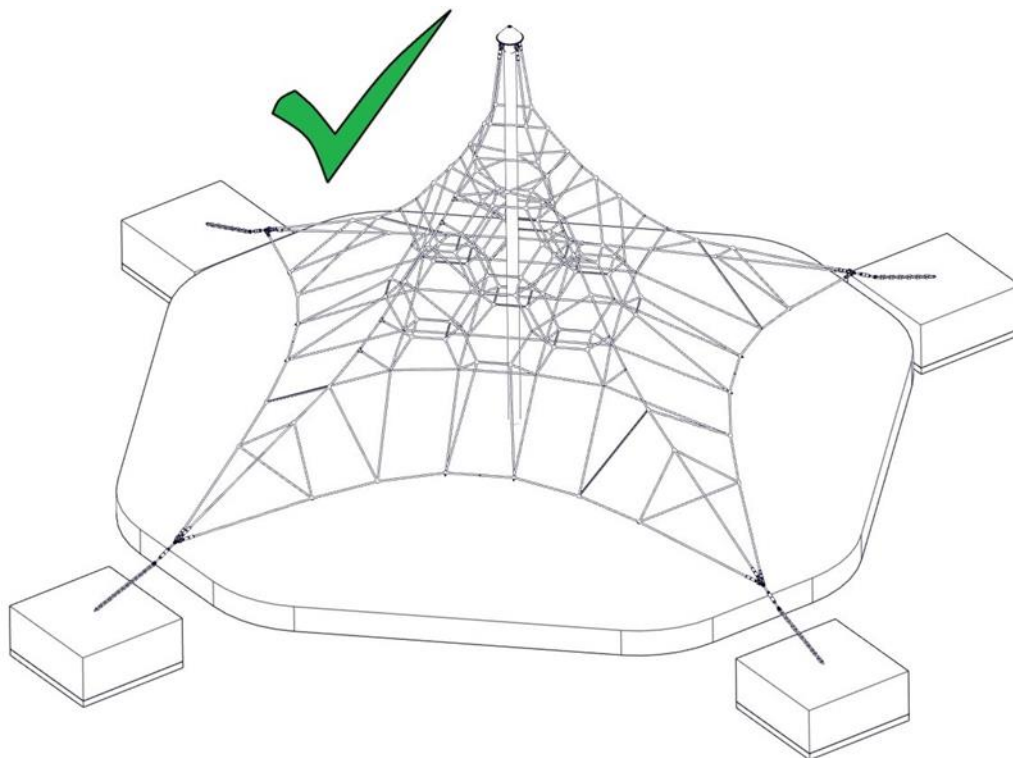
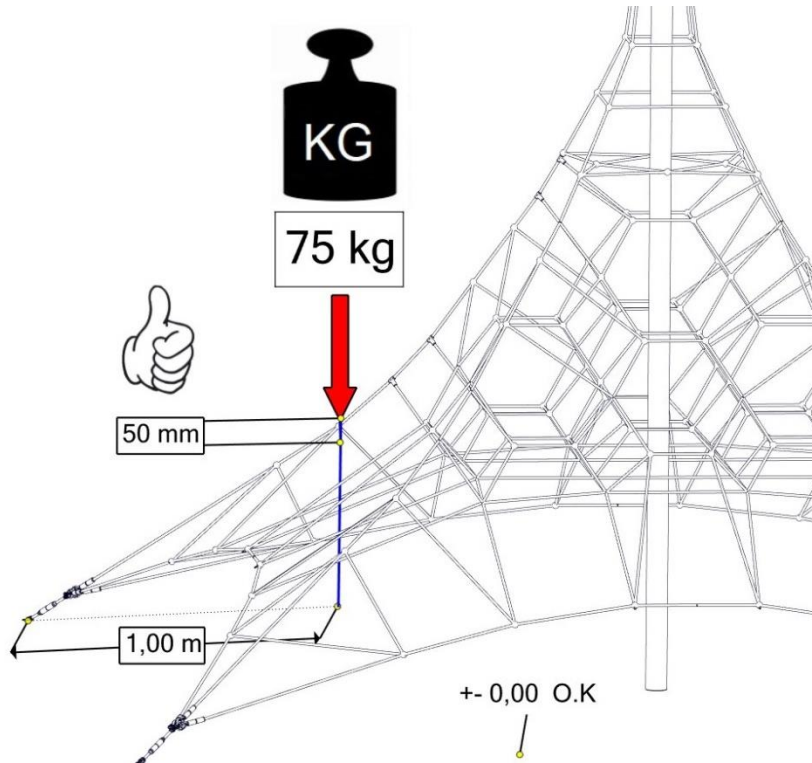


Remove Installment Ring Pos.14.



Install Pos.4 and Pos.7 using Pos.15 (Loctite)





5

Post installation checks



If the equipment has not been installed safely, you must ensure that the public is prevented from using it.

5.1 Marking filler depth

- Labelling the posts to show the depth of material provided as fall protection (i.e. loose filler).

5.2 The equipment has not been installed safely in the following cases:

- Installation of equipment is not complete.
- The protective surface has not been installed yet.
- Appropriate maintenance work cannot guarantee operational safety.

5.3 Removal of all assembly aids

- Please make sure that all assembly aids have been removed from the playing area. The equipment must not be approved for use until this check has been carried out.

5.4 Information about inspection of the equipment before it is used for the first time

- There are no special inspection requirements to be met before the equipment is used for the first time.

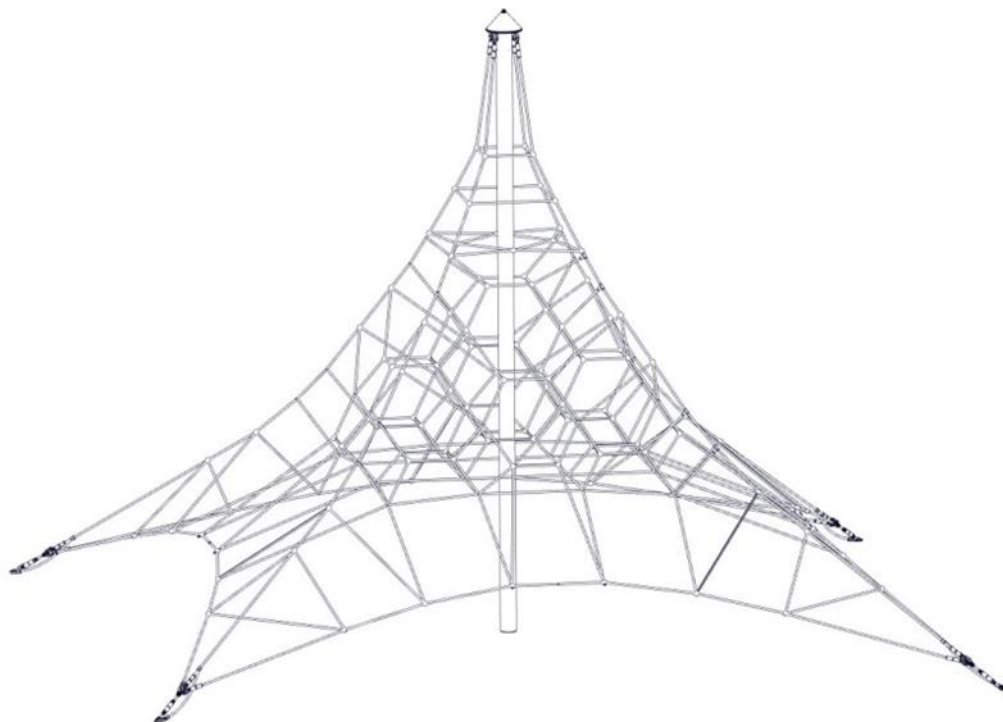
5.5 Retighten bolts

- After one week of play, please retighten all bolts again. Later upon respective maintenance.

B Maintenance Instructions

Spider

Art.5000-6-4



6 Introduction Maintenance

6.1 General informations

This equipment should be installed, inspected, maintained and operated in accordance with EN 1176-7 guidelines.



Please note: Providing any necessary repairs are carried out, a piece of play equipment that is inspected regularly cannot become so damaged that it is dangerous.

Any spare parts which may be required can be obtained directly from your supplier.



This equipment should only be assembled, maintained and repaired by **persons with the necessary expertise**.
A copy of the inspection record should be given to the operator, who must confirm receipt.

**This maintenance instruction is based on the standard
“EN 1176-1:2017”.**

7 General maintenance information

7.1 Maintenance intervals

Maintenance intervals are based on average use. Please note that more frequent inspections and/or maintenance are required if the play equipment is subject to intensive use.

7.2 Inspection frequency

The frequency of inspections must be based on actual use. Factors that affect frequency include vandalism, location (e.g. coastal proximity), air pollution and the age of the equipment.

7.3 Maintenance products and procedures

All nuts and bolts are hot-dip galvanised or stainless steel. One of the characteristics of stainless steel is that uncontrolled cold welding may occur when the nuts are tightened. To prevent this, it is necessary to spray the nuts and bolts with Teflon spray or another similar lubricant.

7.4 Spare parts

All spare parts must conform to the manufacturer's specifications.

7.5 Identifying spare parts

All spare parts are listed in the parts list. The parts list follows the installation requirements.

7.6 Special instructions for the disposal of individual equipment components

No special instructions are necessary.

7.7 Special measures during the break-in period

No later than 2 weeks after assembly, all screwed connections should be checked and tightened if necessary.

7.8 Maintenance of protective surfaces

Surfaces providing fall protection must also be maintained regularly. It is particularly important to maintain the correct level of loose surface material and add more if necessary.

7.9 Faults



Damages must be repaired as soon as they are detected. If serious defects that affect the safety cannot be repaired straight away, the playground item must be blocked with immediate effect.

7.10 Loose screws



Loose screws always cause quality problems and put safety at risk. Therefore, loose screws should always be tightened and checks carried out to ensure that there are no missing screws.

7.11 Preventing equipment use

Use of the equipment should be prevented in the event of incomplete installation, disassembly, maintenance, repairs and faults.

7.12 Claims/liability for faults (steel poles)

Steel posts and footings are covered by our guarantee if regular maintenance is carried out and recorded in writing.

Our general terms and conditions apply. Maintenance of steel poles first takes place after 3 years. The steel posts must be excavated down to the concrete foundations and checked for corrosion.

Zinc paint should be applied to any corroded areas and scratches.

Check ropes for abrasion, replace ropes where coating is damaged down the Steel inlet.

8 Maintenance timetable

8.1 Special advices

8.1.1 Maintenance interval

We strongly advise you to carry out inspections and maintenance work within the specified periods as use of the equipment, the weather and malicious vandalism cause wear and tear that compromises the safety and function of the equipment.

8.1.2 Maintenance intervals in the event of intensive use

Please note that more frequent inspections and/or maintenance are required if the play equipment is subject to intensive use.

8.1.3 Faults that compromise safety



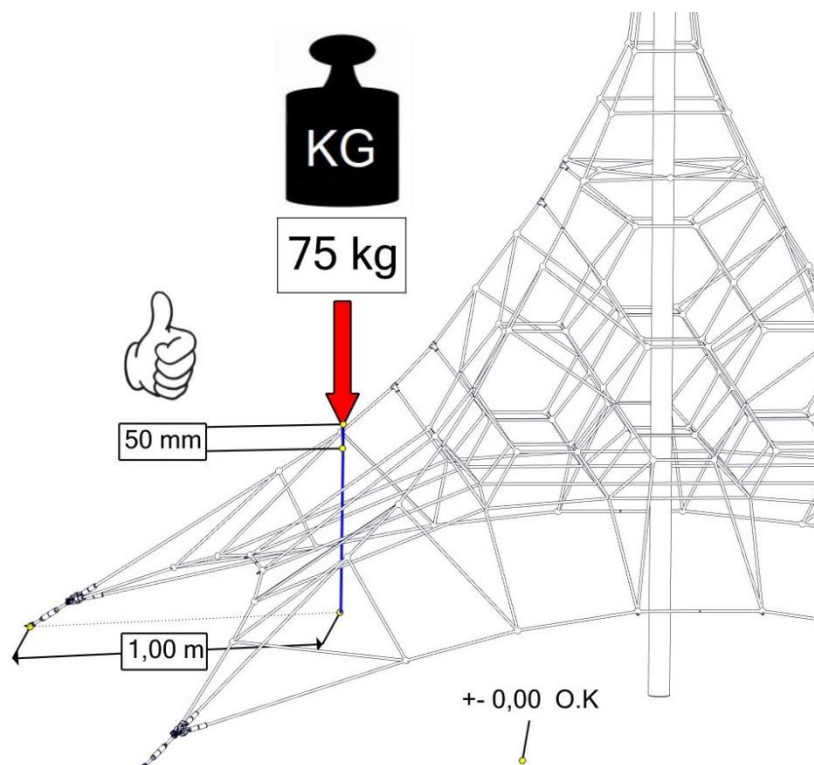
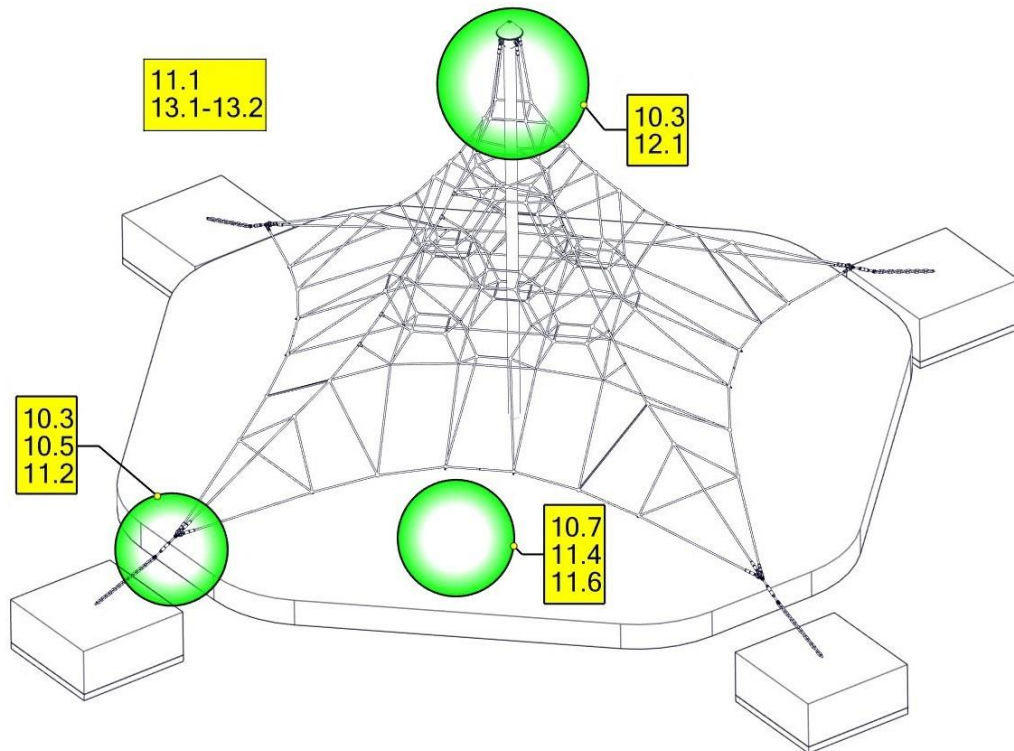
In the event of a fault that compromises safety, quick action must be taken. This may involve repairing it immediately or shutting down and dismantling the equipment.

8.1.4 Faults that compromise function



Faults that compromise function should also be repaired immediately. Such faults lower the value of the equipment to the user and encourage malicious vandalism, which may render the equipment less safe. Any damage should also be repaired immediately.

9 Regular maintenance



10 Monthly maintenance

- 10.1 Check the spaces between the equipment and the ground (clearance and height of fall).**
- 10.2 Check the ground surface of fall protection for hard objects and loose foundations.**
- 10.3 Check all connecting elements and fittings for wear and tear and tighten if necessary. Replace damaged or missing parts.**
- 10.4 Check that moving metal parts (joints, springs, etc.) move smoothly and are not worn. Replace if necessary. It is not necessary to lubricate joints as we only use maintenance-free metal roller bearings.**
- 10.5 Check all attachments such as chains, ropes, nets, etc. for damage and replace if necessary.**
- 10.6 Check rubber parts, sleeves, etc. for wear and tear or damage and replace if necessary.**
- 10.7 If necessary, remove excess padding material from the post footings due to danger of rotting.**
- 10.8 Check the surface of wooden parts for damage caused by the weather or external influences and mould. Repair or replace if necessary.**
- 10.9 Check the surface of plastic and metal parts, e.g. slides, for damage and replace if necessary.**

11 Quarterly maintenance

- 11.1 Detailed inspection of the operation and stability of the equipment paying particular attention to any wear and tear.**
- 11.2 Tighten all forms of attachment.**
- 11.3 Repaint and retreat surfaces.**
- 11.4 Maintenance of fall protection surfaces.**
- 11.5 Lubrication of joints.**
- 11.6 Check height of fall protection material and top up with loose filler if necessary. If the posts are labelled, top up to the mark.**
- 11.7 Retension the tension ropes after a period of 3 months. Afterwards please check in equal intervals.**
- 11.8 Retighten all bolts.**

12 Half yearly maintenance

- 12.1 The stability of supporting posts, supports, foundations etc. has to be checked. The safety level of the entire system has to be checked after repairs have been carried out or additional system components have been installed or replaced.**



Annual Maintenance

13 Annual maintenance

- 13.1 Ascertaining that the equipment, foundations and surfaces are safe for operation.
- 13.2 In particular, the equipment should be checked for decay and corrosion. It may be necessary to dig out or excavate certain components in order to do so. Zinc paint should be applied to corroded areas and scratches.



The equipment must be inspected by someone **with the necessary expertise** in strict compliance with the instructions issued by Huck Seiltechnik GmbH.

A copy of the inspection record should be given to the operator, who must confirm receipt.

14 Maintenance printout

Name of item: Spider _____ / Art. No. 5000-6-4 _____

Location: _____

Customer or operator: _____
 (Town, Town council, Kindergarten)

Date of inspection	Inspector	O.K.	Accessible	Barriered	Defects	Repaired by	Date

Please copy and return once a year after main inspection has been carried out to the manufacturer by Telefax +49(0)6443/ 83 11 79! Place the confirmation form in the play equipment files.

15 Hand over document



After the installation of the equipment pass the installation and maintenance documents to the operator. The operator has to receive the hand over documents. The complete filled and signed hand over document should be sent to the supplier.

Art.-No.: 5000-6-4

Type of item: Spider

Serial number: _____

Customer or operator (Town, Town council, Kindergarten, etc.):

Competent person in charge:

Installation company (address):

Responsible assistant (assembler):

Received the complete assembly instructions, maintenance instructions and maintenance printout.

(Signature of operator) (Signature of installation company)
(Stamp)

Date: _____