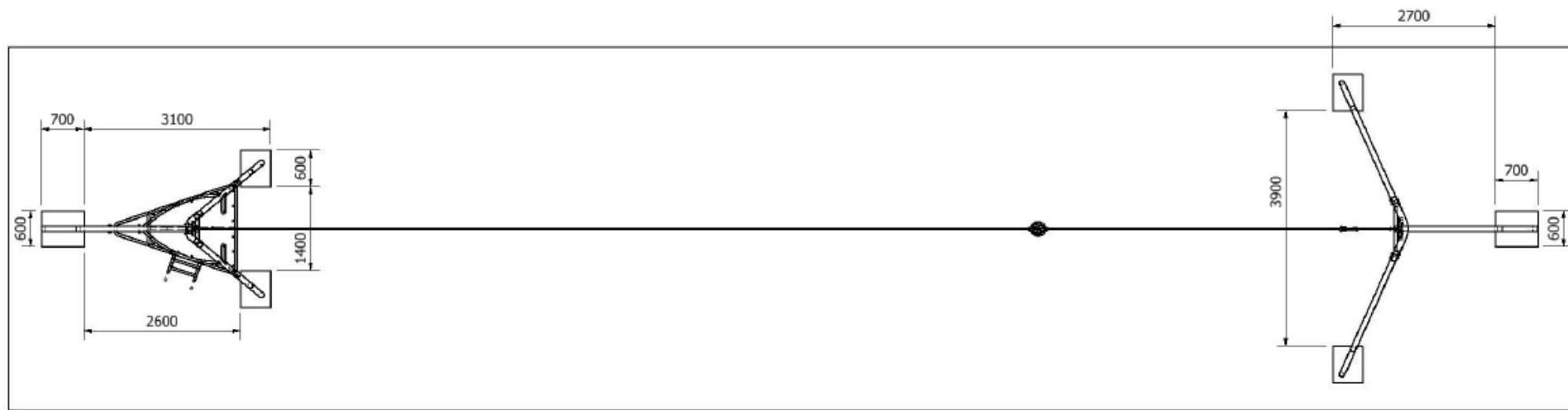
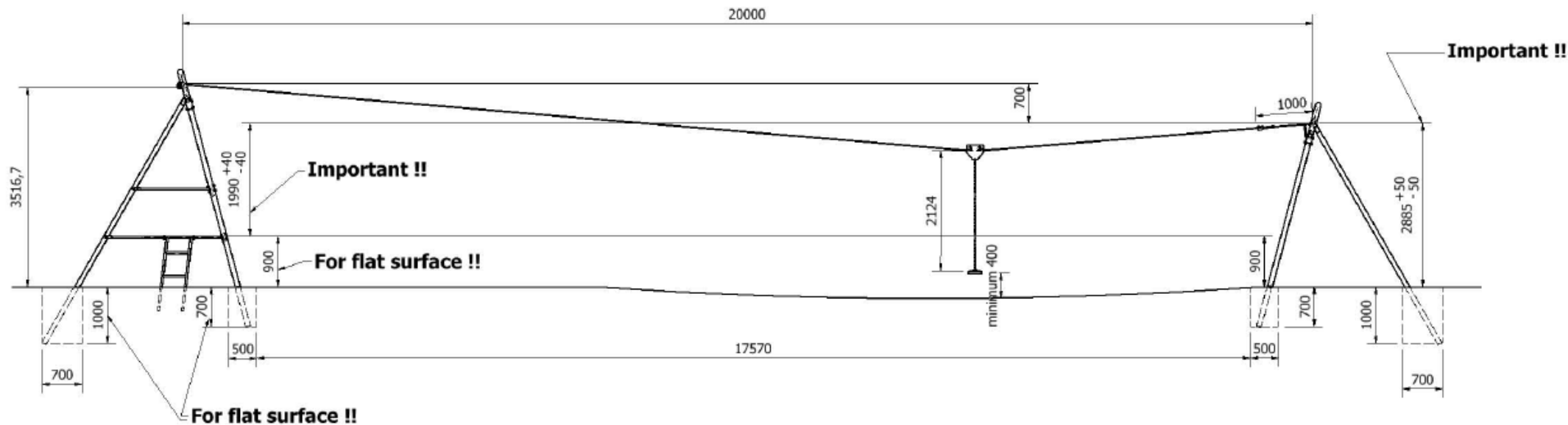
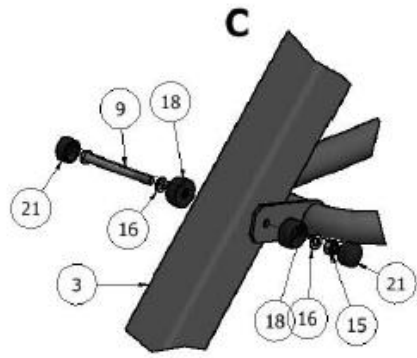
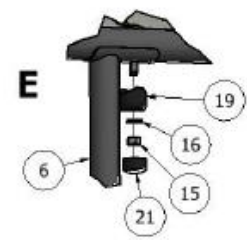
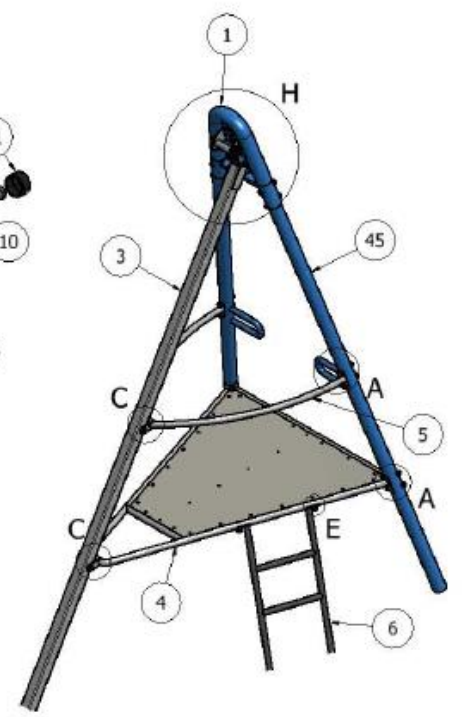
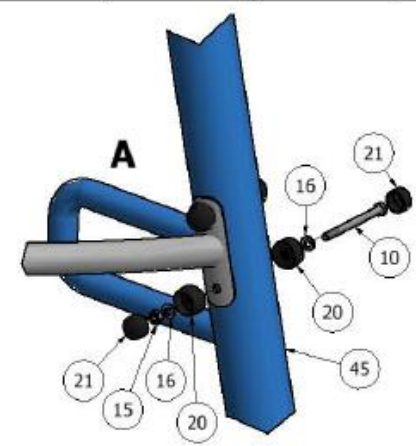
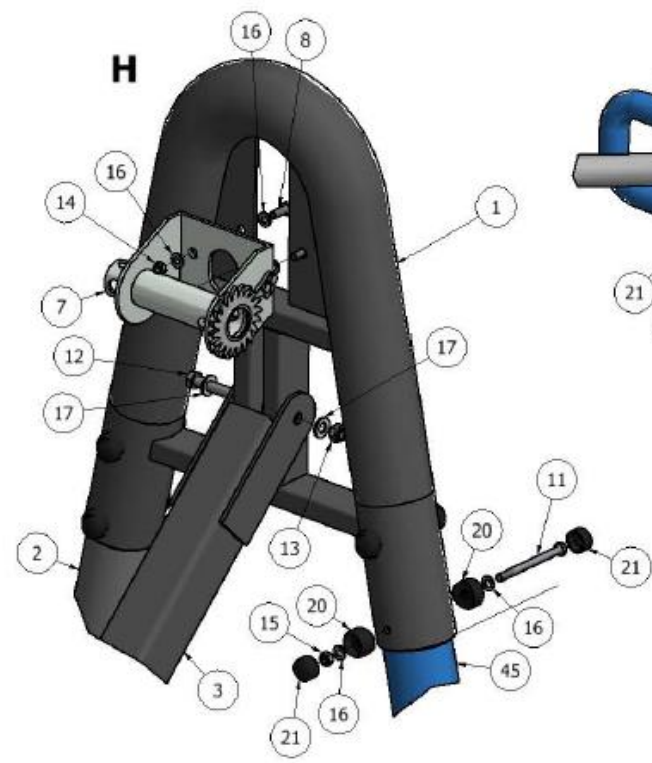
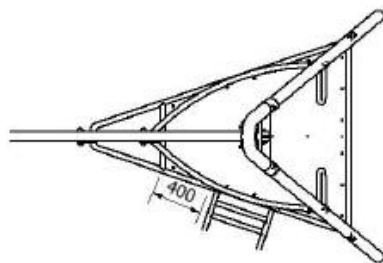
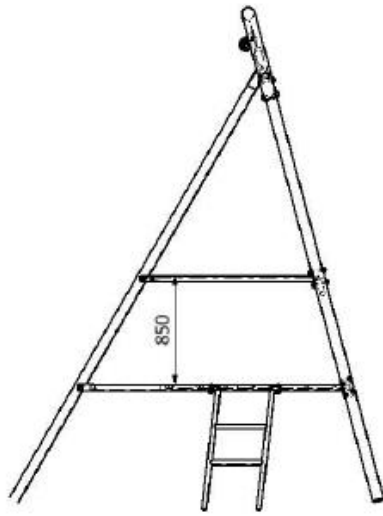
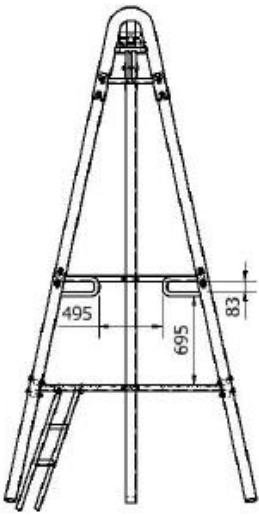


| LISTA CZĘŚCI | | | |
|--------------|-------|---------------------------|----------------------------|
| ELEMENT | ILOŚĆ | NR CZĘŚCI | OPIS |
| 1 | 1 | 620KW | High tower - top set |
| 2 | 1 | 620NW-20P | High tower - right leg |
| 3 | 1 | 620NW-20L | High tower - left leg |
| 4 | 1 | 620WP-20 | High tower - support |
| 5 | 1 | 620P | Platform |
| 6 | 1 | 620R | Handrail |
| 7 | 1 | 620D | Ladder |
| 8 | 1 | 620KN | Low tower - top set |
| 9 | 2 | 620NN-20 | Low tower - leg |
| 10 | 1 | 620WN-20 | Low tower - support |
| 11 | 1 | 620ZL | Safety chain |
| 12 | 1 | 200681 | Rope tightener |
| 13 | 1 | 200644.21, -45.26, -46.31 | Steel rope |
| 14 | 1 | 200650 | Rapper |
| 15 | 1 | DIN 741 f110 | Rope clamp |
| 16 | 1 | 200631+201617 | Trolley set |
| 17 | 2 | M10x25 DIN 4016 | Hex bolt |
| 18 | 2 | M10x110 DIN 4016 | Hex bolt |
| 19 | 8 | M10x115 DIN 4016 | Hex bolt |
| 20 | 8 | M10x120 DIN 4016 | Hex bolt |
| 21 | 2 | M14x110 DIN 4016 | Hex bolt |
| 22 | 43 | 10-20 ANSI B18.22 M | Washer |
| 23 | 4 | ANSI B18.22 M - 14 N | Washer |
| 24 | 20 | M10 ISO 4033 | Hex nut |
| 25 | 3 | M10 ANSI B18.16.3M | Self-locking nut |
| 26 | 2 | M14 ANSI B18.16.3M | Self-locking nut |
| 27 | 38 | TZ-PC POLYFIX | Cover with boltcover |
| 28 | 4 | TZ-PE POLYFIX | Covered end, flat bottom |
| 29 | 2 | 156-001 POLYFIX | Rounded covered end R=22,5 |
| 30 | 32 | 157-001 POLYFIX | Rounded covered end R=60 |
| 31 | 1 | M10x90 DIN 4016 | Hex bolt |

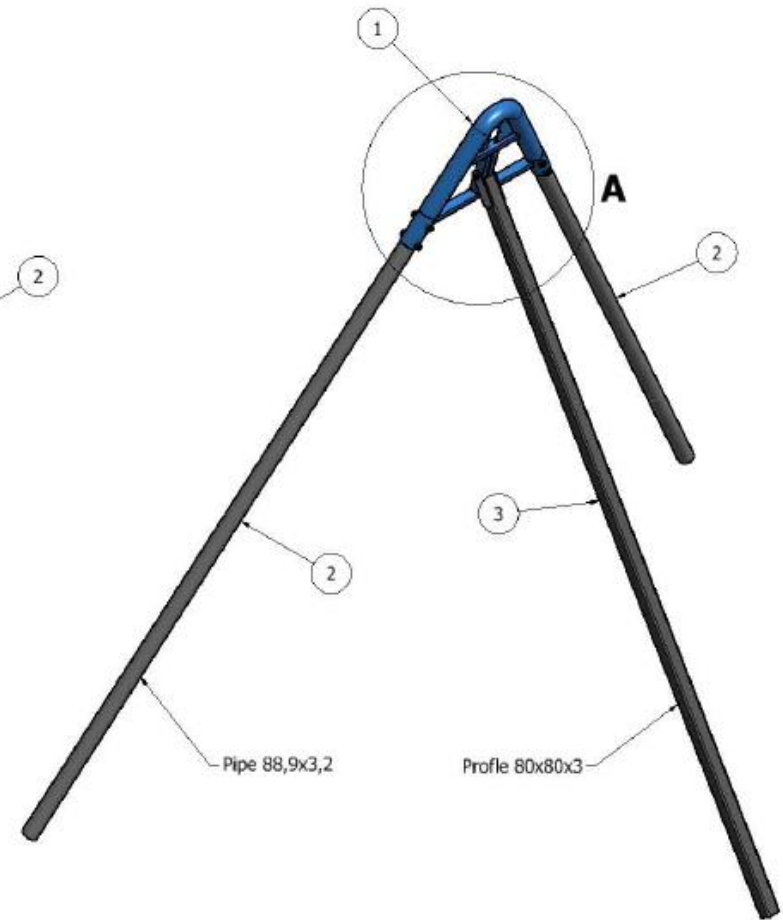
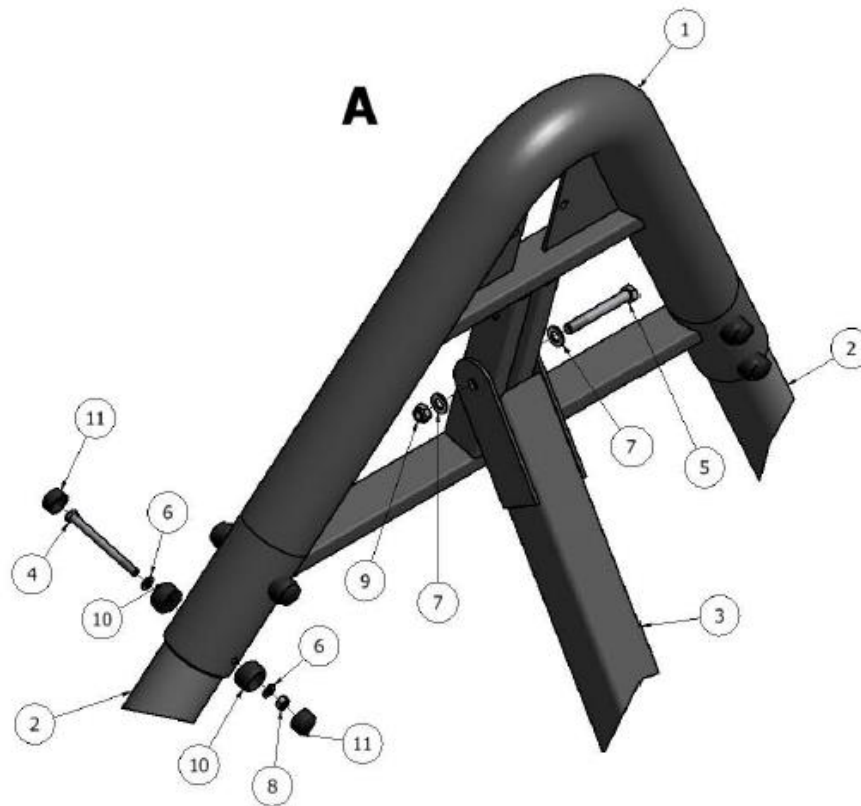
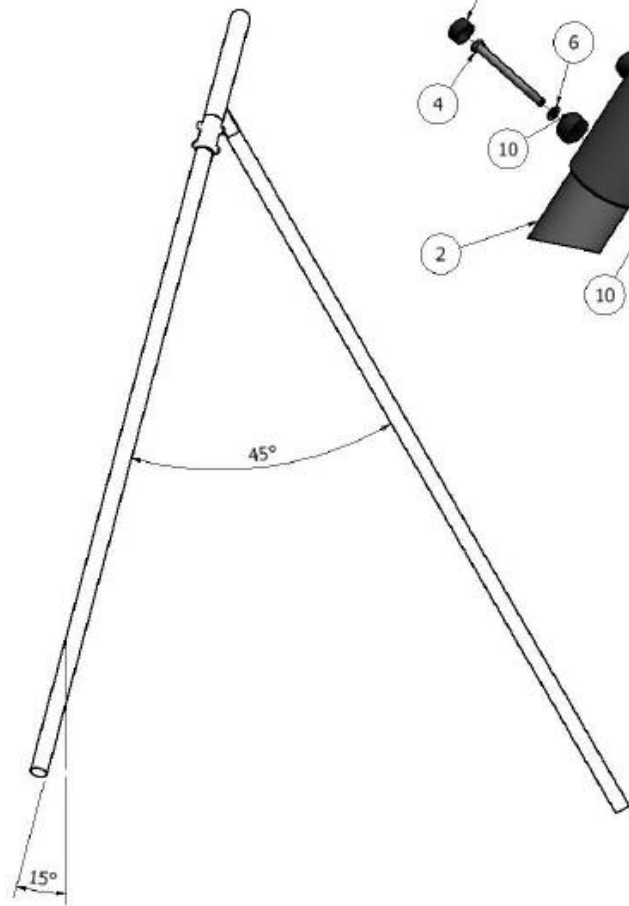


| | | | | |
|----------------------|------------------|--------------------|------------------------|------------|
| Zaprojektowany przez | Sprawdzony przez | Zatwierdzony przez | Data | Data |
| | | | | 2010-01-19 |
| INTER-PLAY | | | Foundation plan | |
| | | | 2001-20m | 1 / 2 |



| LISTA CZĘŚCI | | | |
|--------------|-------|----------------------|----------------------------|
| ELEMENT | ILOŚĆ | NR CZĘŚCI | OPIS |
| 1 | 1 | 620KW | High tower - top set |
| 2 | 1 | 620NW-20P | High tower - right leg |
| 3 | 1 | 620WP-20 | High tower - support |
| 4 | 1 | 620P | Platform |
| 5 | 1 | 620R | Handrail |
| 6 | 1 | 620D | Ladder |
| 7 | 1 | 200681 | Rope tightener |
| 8 | 2 | M10x25 DIN 4016 | Hex bolt |
| 9 | 2 | M10x110 DIN 4016 | Hex bolt |
| 10 | 8 | M10x115 DIN 4016 | Hex bolt |
| 11 | 4 | M10x120 DIN 4016 | Hex bolt |
| 12 | 1 | M14x110 DIN 4016 | Hex bolt |
| 13 | 1 | M14 ANSI B18.16.3M | Self-locking nut |
| 14 | 2 | M10 ANSI B18.16.3M | Self-locking nut |
| 15 | 16 | M10 ISO 4033 | Hex nut |
| 16 | 34 | 10-20 ANSI B18.22 M | Washer |
| 17 | 2 | ANSI B18.22 M - 14 N | Washer |
| 18 | 4 | TZ-PE POLYFIX | Covered end, flat bottom |
| 19 | 2 | 156-001 POLYFIX | Rounded covered end R=22,5 |
| 20 | 24 | 157-001 POLYFIX | Rounded covered end R=60 |
| 21 | 30 | TZ-PC POLYFIX | Cover with boltcover |
| 45 | 1 | 620NW-20L | High tower - left leg |

| | | | |
|----------------------|------------------|--------------------|------------|
| Zaprojektowany przez | Sprawdzony przez | Zatwierdzony przez | Data |
| | | | 2010-01-12 |
| INTER-PLAY | | High tower | |
| 2001-20,25,30 | | wersja | strona |
| | | | 1 / 1 |



| LISTA CZĘŚCI | | | |
|--------------|-------|----------------------|--------------------------|
| ELEMENT | ILOŚĆ | NR CZĘŚCI | OPIS |
| 1 | 1 | 620KN | Low tower - top set |
| 2 | 2 | 620NN | Low tower - leg |
| 3 | 1 | 620WN | Low tower - support |
| 4 | 4 | M10x120 DIN 4016 | Hex bolt |
| 5 | 1 | M14x110 DIN 4016 | Hex bolt |
| 6 | 8 | 10-20 ANSI B18.22 M | Washer |
| 7 | 2 | ANSI B18.22 M - 14 N | Washer |
| 8 | 4 | M10 ISO 4033 | Hex nut |
| 9 | 1 | M14 ANSI B18.16.3M | Self-locking nut |
| 10 | 8 | 157-001 POLYFIX | Rounded covered end R=60 |
| 11 | 8 | TZ-PC POLYFIX | Cover with boltcover |

| | | | |
|----------------------|------------------|--------------------|------------|
| Zaprojektowany przez | Sprawdzony przez | Zatwierdzony przez | DATA |
| | | | 2010-01-11 |

| | | | | |
|-------------------|------------------|--|---------|---------|
| INTER-PLAY | Low tower | | Wydanie | Arkusze |
| | 2001-20,25,30 | | 1 / 1 | |