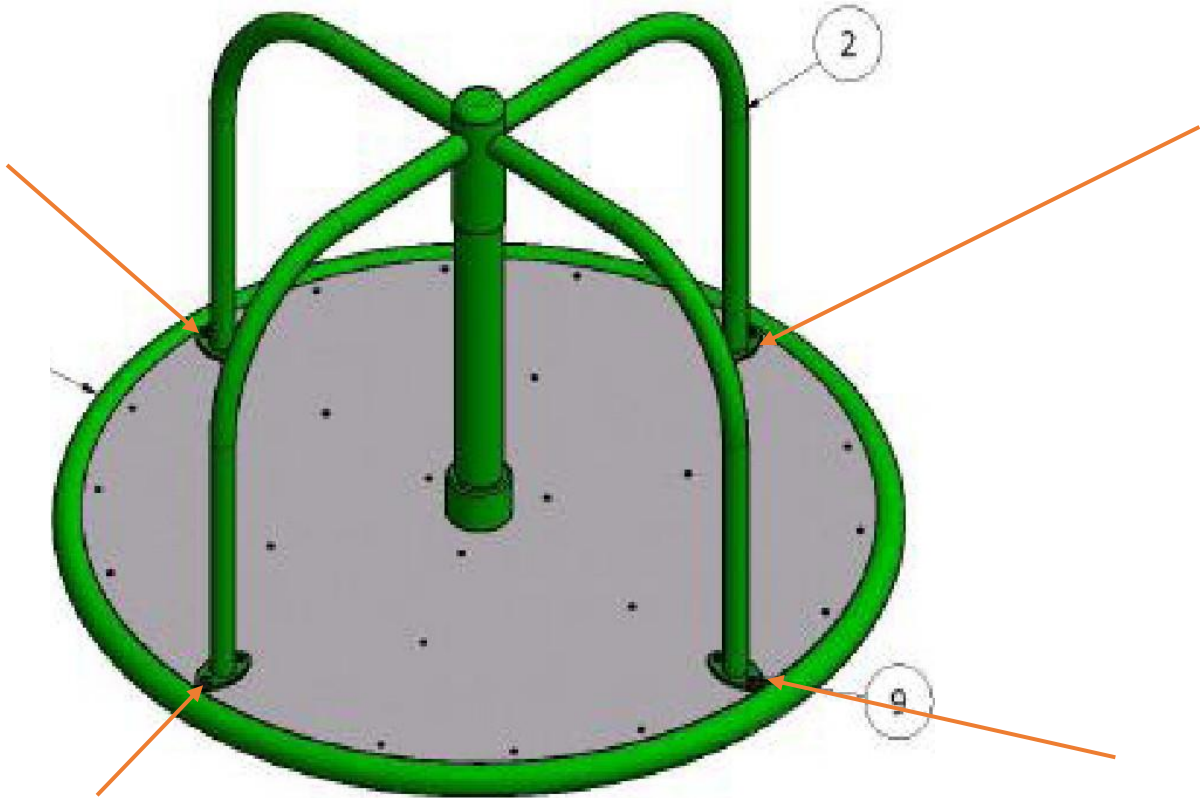


| | | | | | |
|----------------------|------------------|--------------------|---|------------|--------|
| Zaprojektowany przez | Sprawdzony przez | Zatwierdzony przez | Data | Data | |
| | | | | 2009-11-29 | |
| INTER-PLAY | | | 144, 147, 240, 244, 322, 324, 46x, 47x | | |
| | | | Foundation | Wycinek | Arkusz |
| | | | | | 1 / 1 |

Remove tubeframe from platform



Place platform on the foundation post

A (1 : 2)

4. Push seal
3. Push Seiger's ring
(look for a cut on the axis)
2. Push bearing on axis
1. Put corpse of carousel on the axis
(Bottom bearing and seal is already installed)

| | | | |
|-------------------------|------------------|--------------------|--|
| Zaprojektowany przez | Sprawdzony przez | Zatwierdzony przez | Data |
| | | | 2009-11-27 |
| INTER-PLAY | | | 144, 147, 240, 244, 322, 324, 46x, 47x, 48x |
| Installation - bearings | | | Wydane 1 / 1 |

You do not need to use the spline and hole



