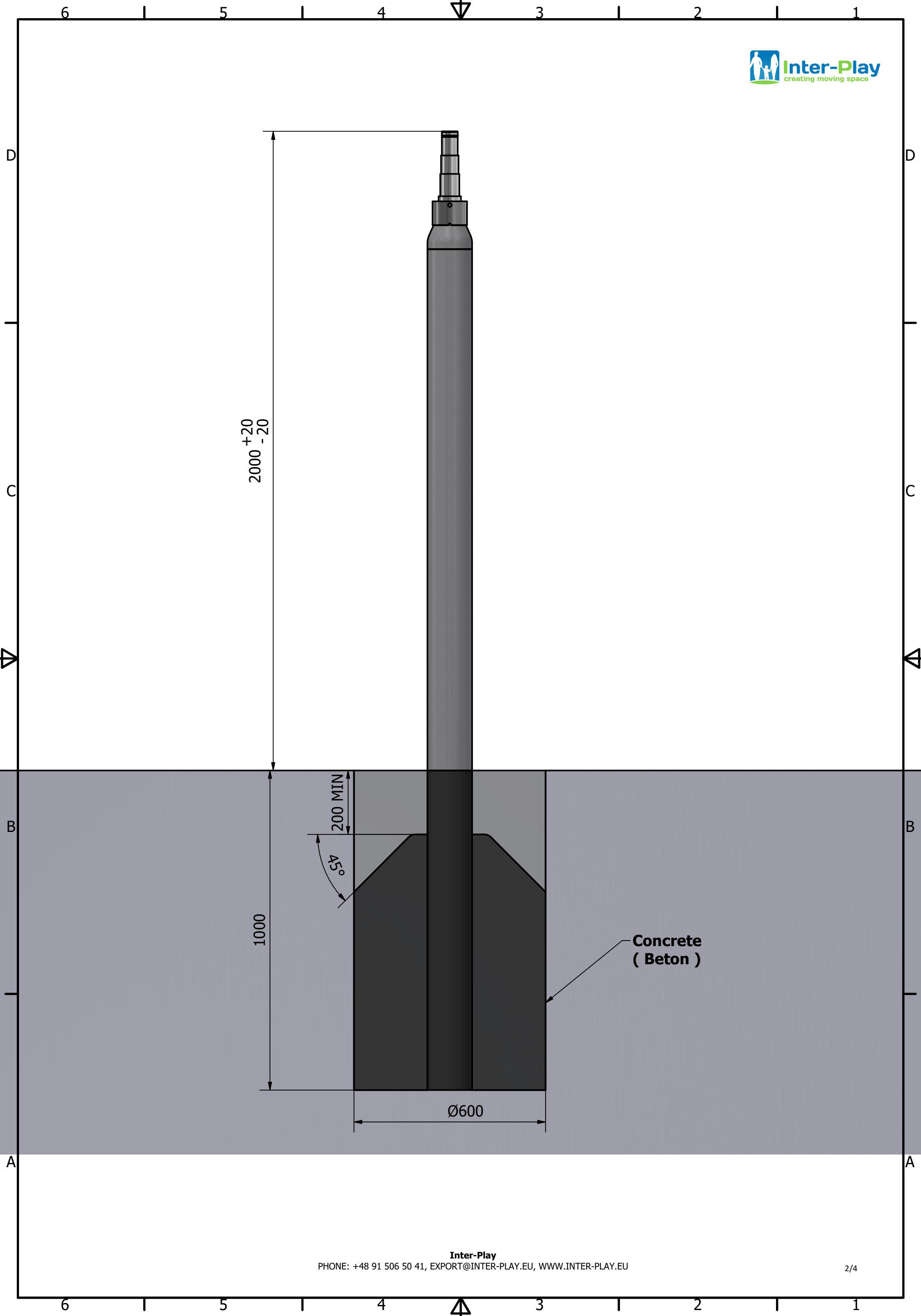


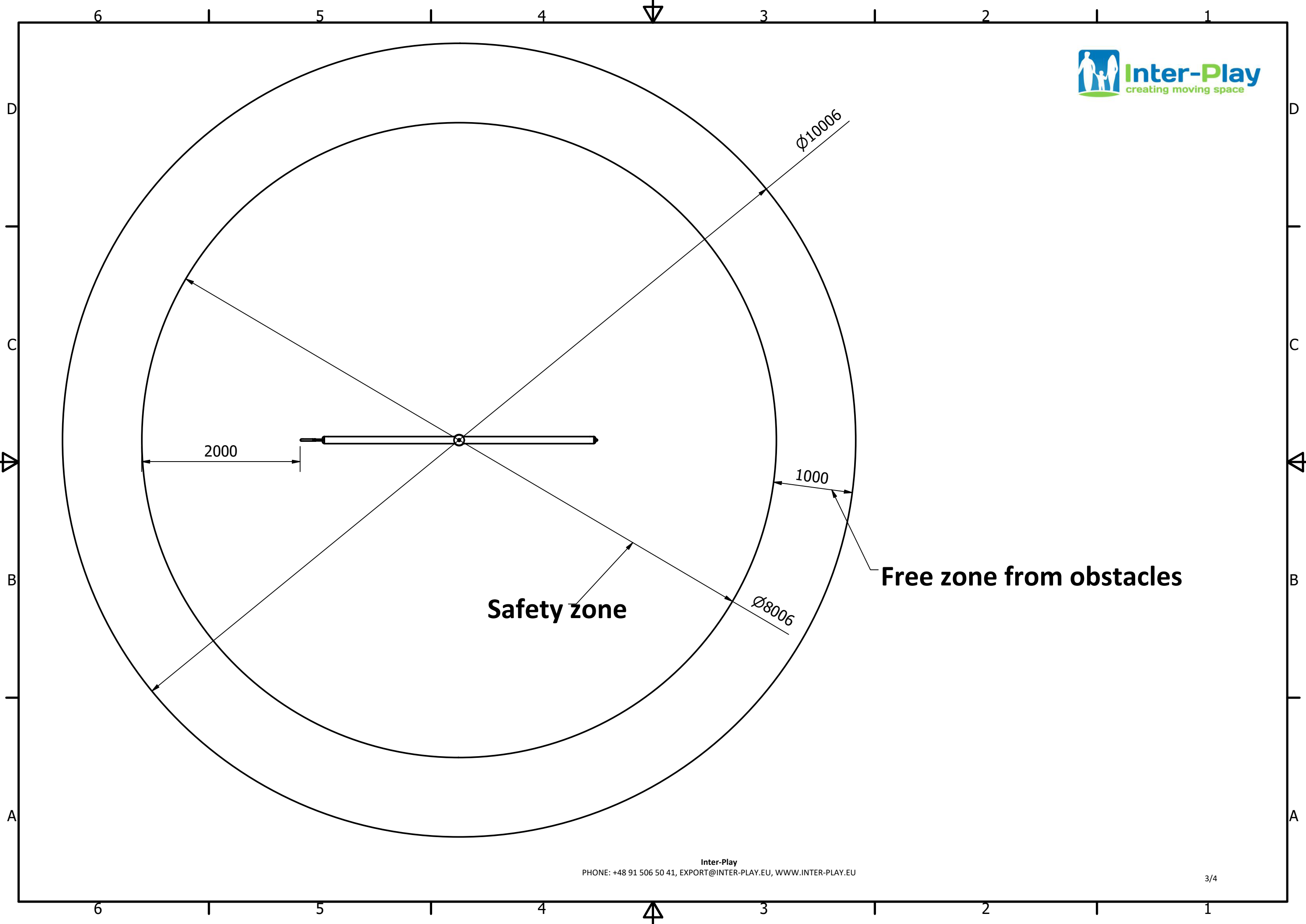
# Installation guide

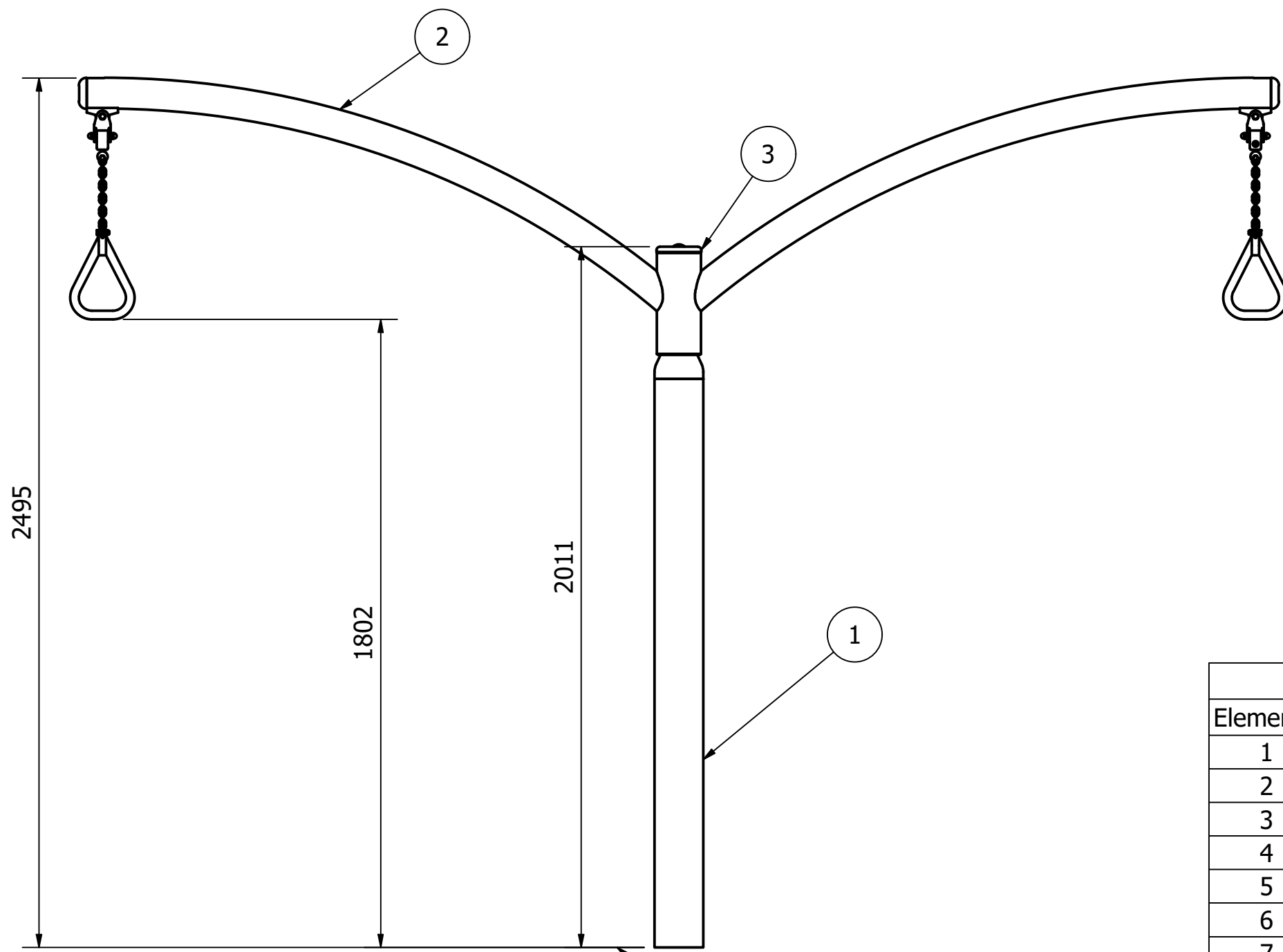
## ZEPHYR 2, ZEPHYR 3, ZEPHYR 4

**Code: GM0712, GM0713, GM0714**

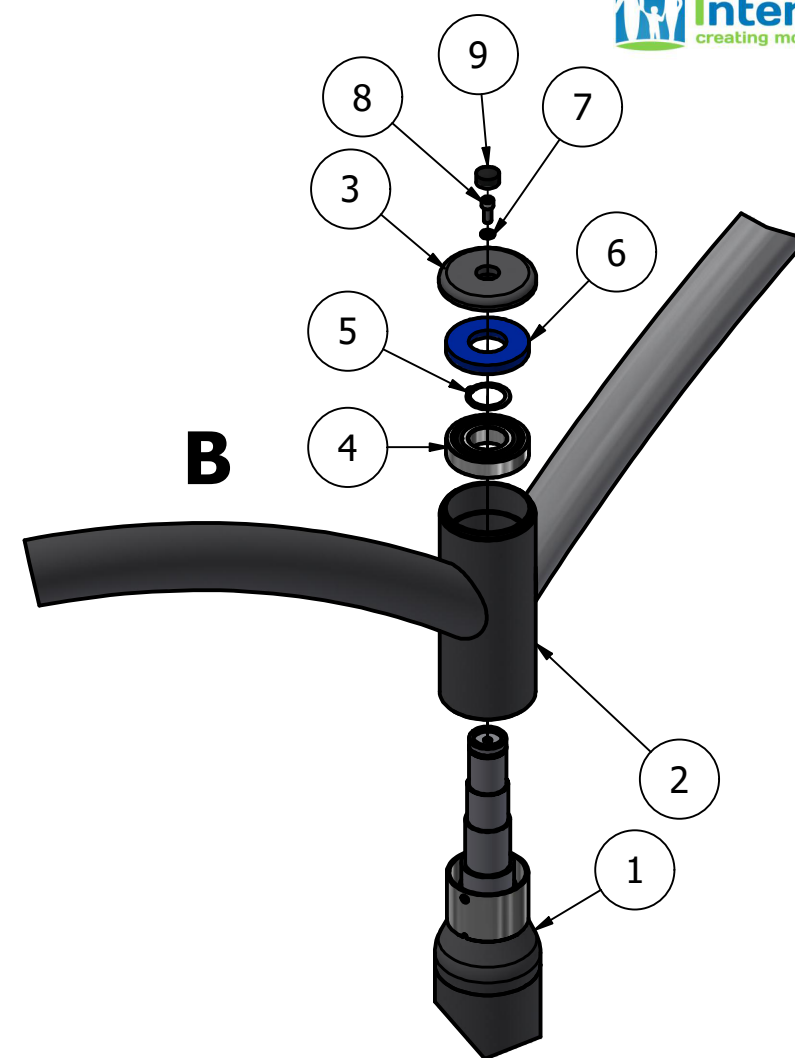








**Ground level**



List of parts			
Element	Quantity	Noof parts	Desription
1	1	57-F	Pillar foundation assembly
2	1	5K7-RU2	Arm assembly with bearings
3	1	57-NS	Pillar cap
4	1	6310-2RS1	Ball bearing
5	1	PN-81/M-85111 - Z50	Seger's ring
6	1	110x50x15 DIN3760	Sealant - Simmering
7	1	A10 DIN 128	Spring washer
8	1	ISO 4762 - M10 x 25	Allen screw
9	1	TZ-PC	Cover with boltcover Polyfix