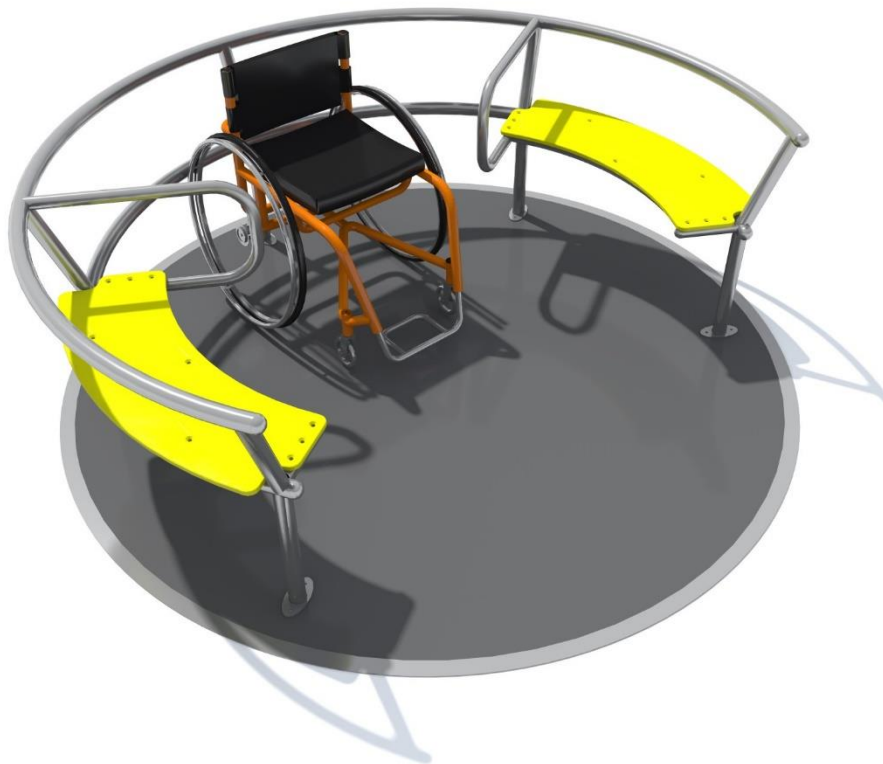


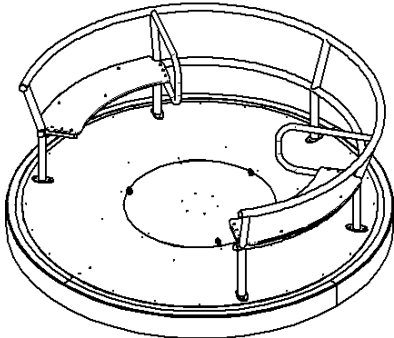


# INSTALLATION GUIDE

# INCLUSIVE ROUNDABOUT

# AUTAN 2

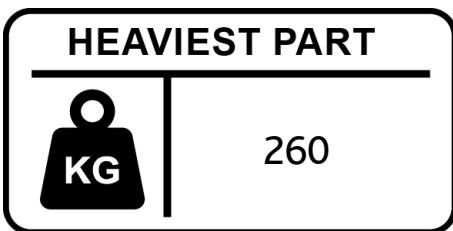
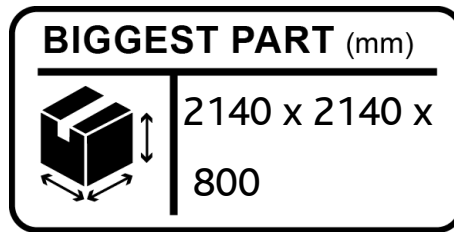
Code: IS-IN-102

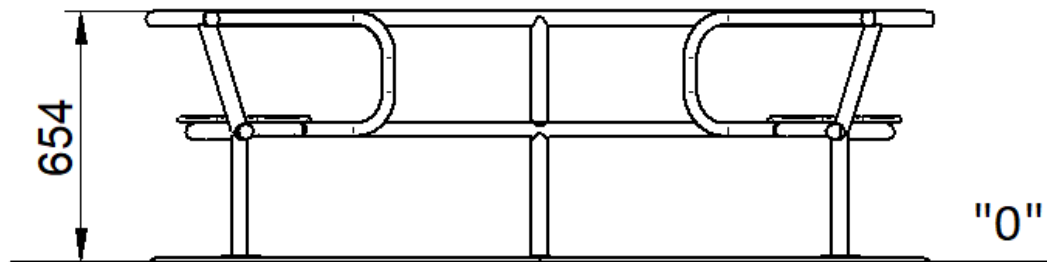
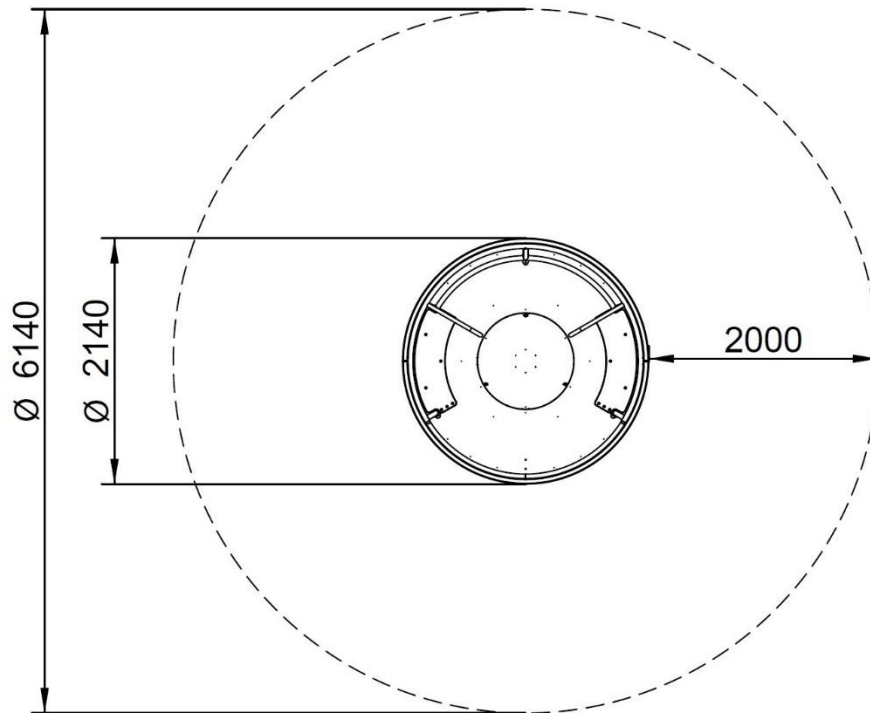


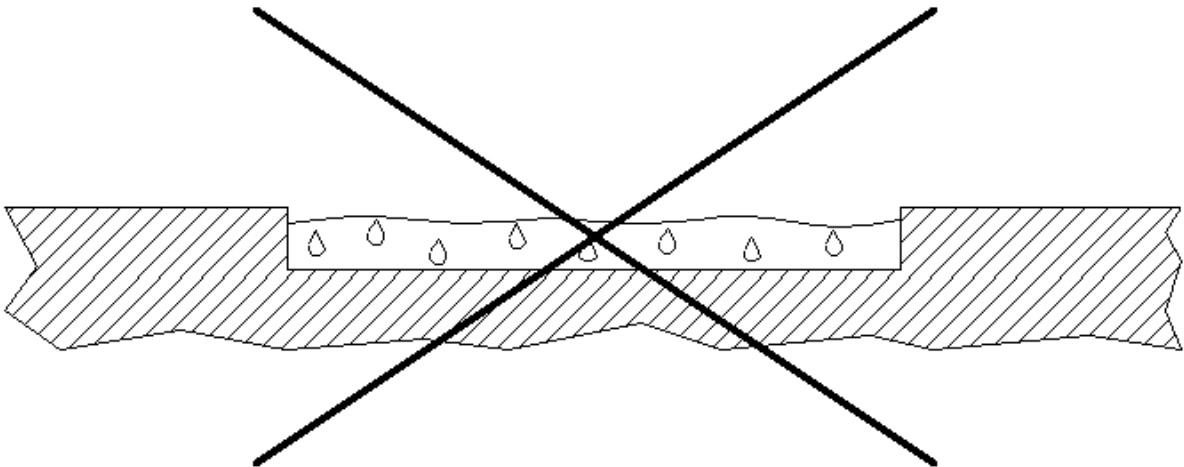
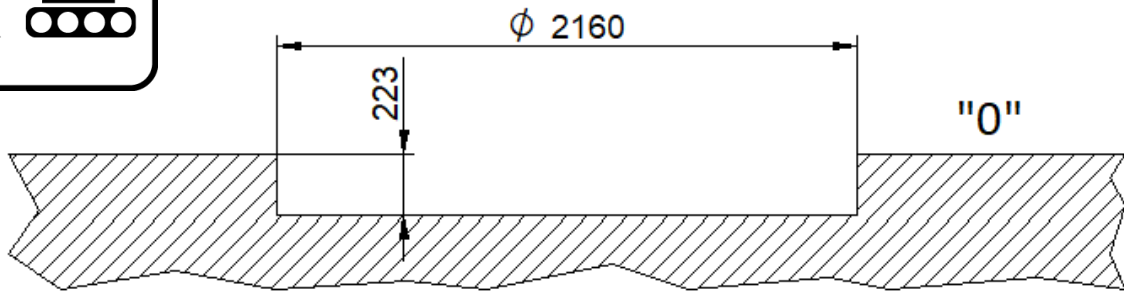
LIST OF ELEMENTS		
CODE	ELEMENT	QTY
1		1
2		3
3		3



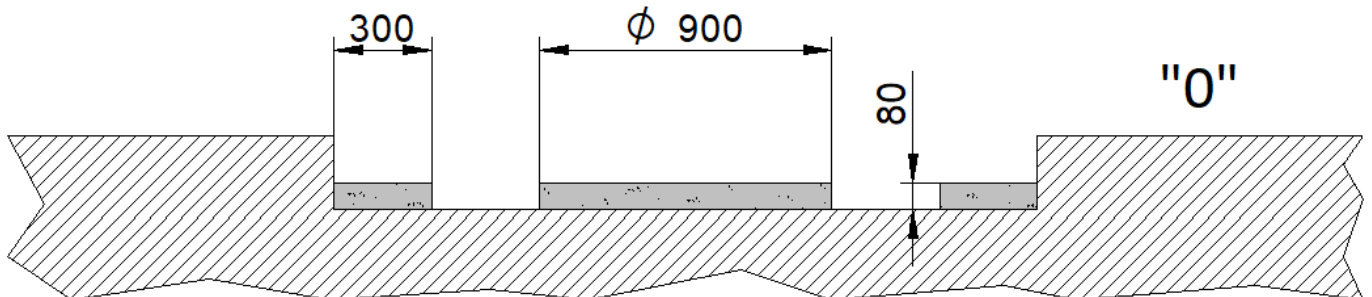
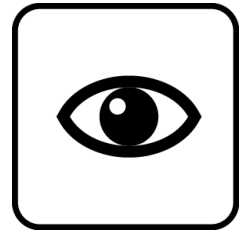
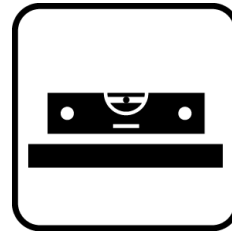
HIC = 1,0 m

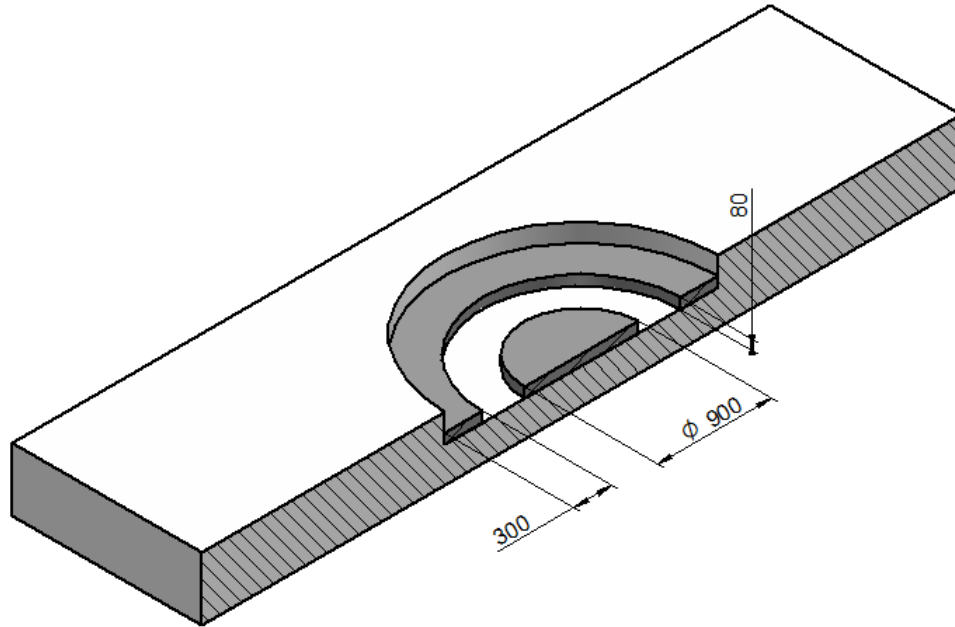




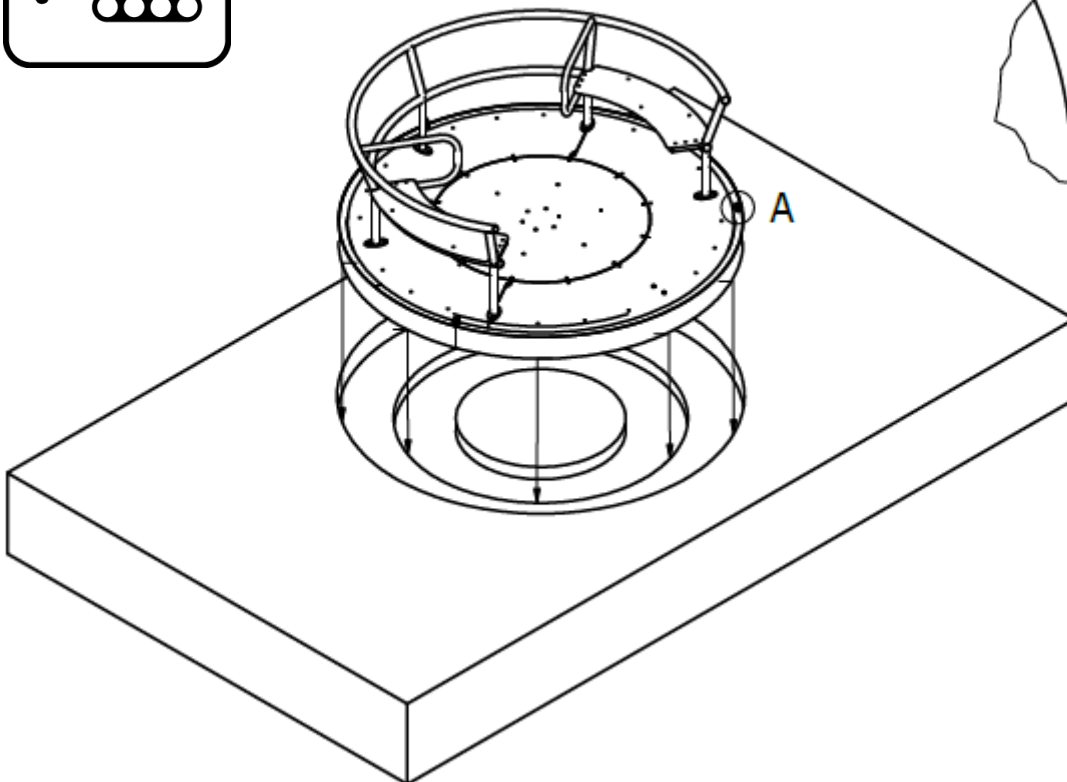


Dry concrete

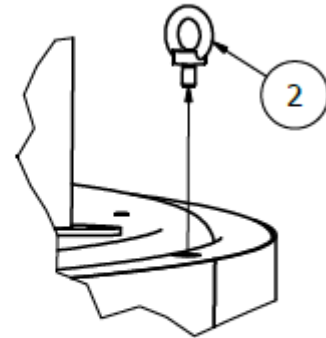
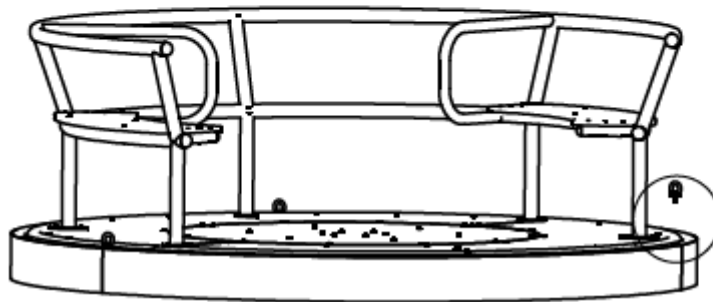




A (1 : 5)

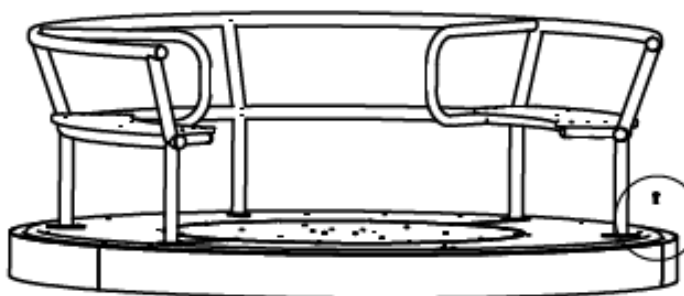


**B ( 1 : 5 )**



**B**

**C ( 1 : 5 )**



**C**

