

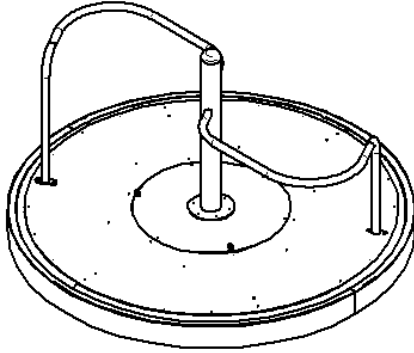


# INSTALLATION GUIDE

# INCLUSIVE ROUNDABOUT

# AUTAN 3

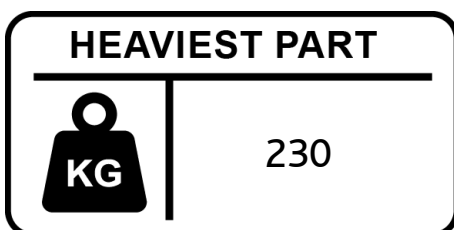
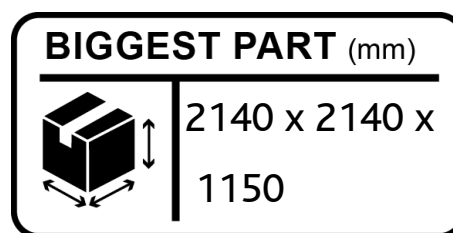
Code: IS-IN-103

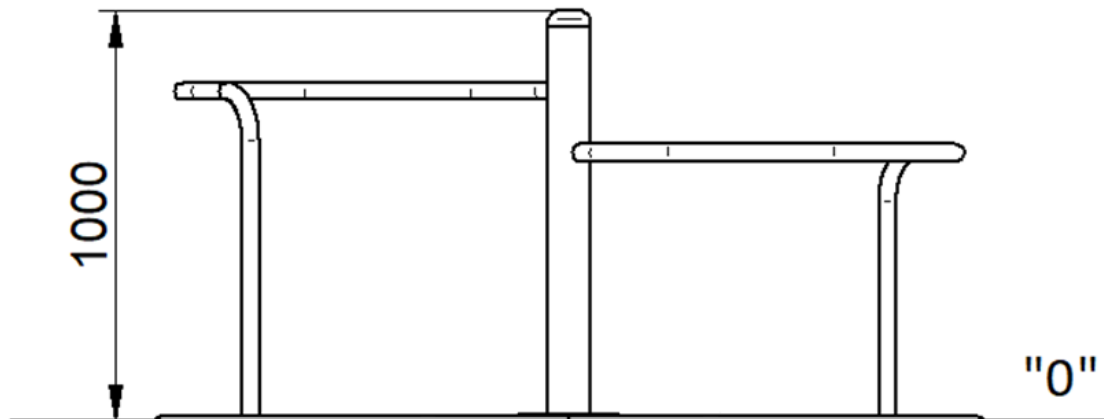
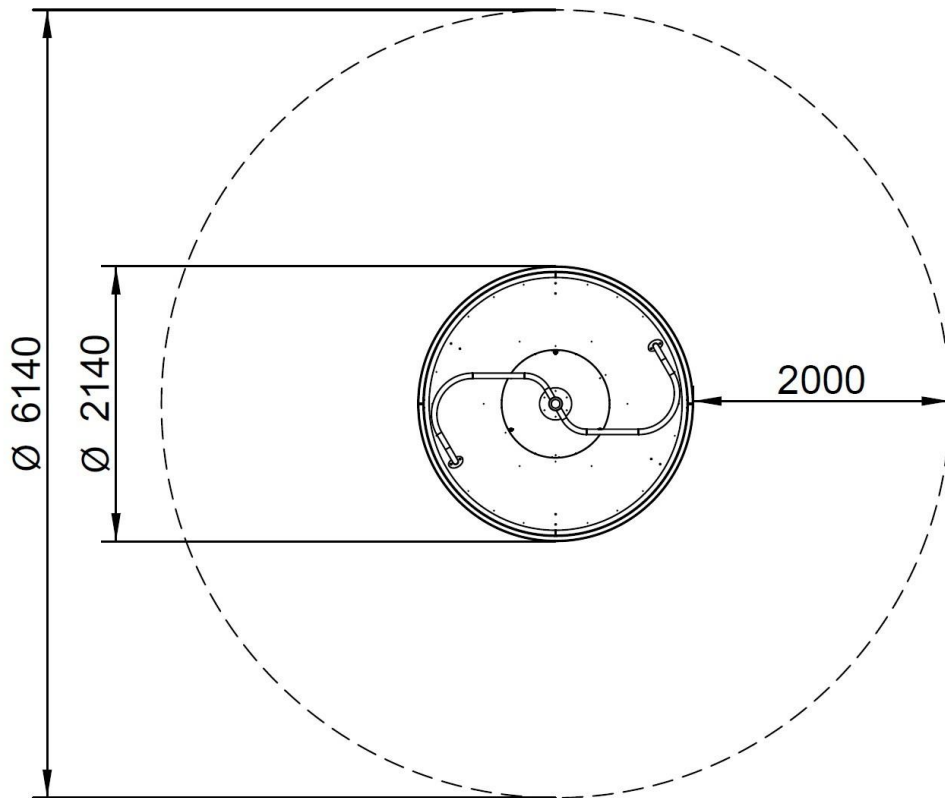


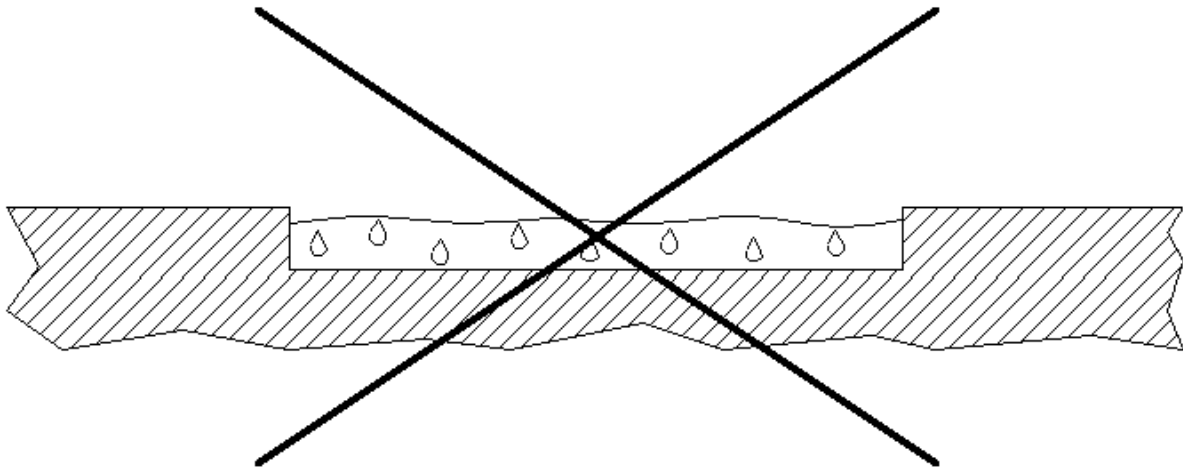
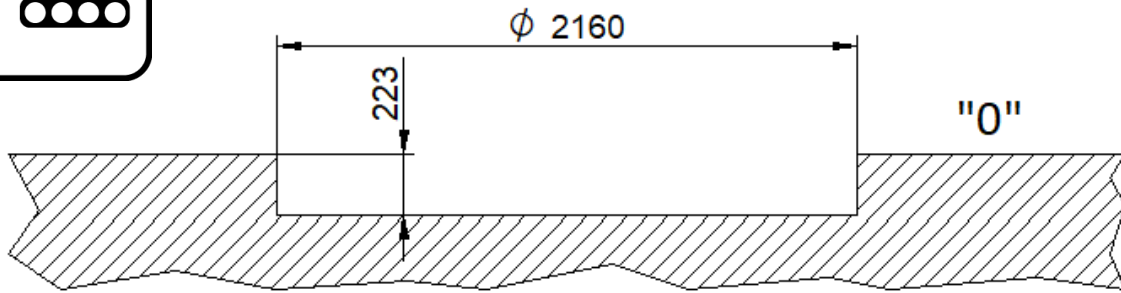
LIST OF ELEMENTS		
CODE	ELEMENT	QTY
1		1
2		3
3		3



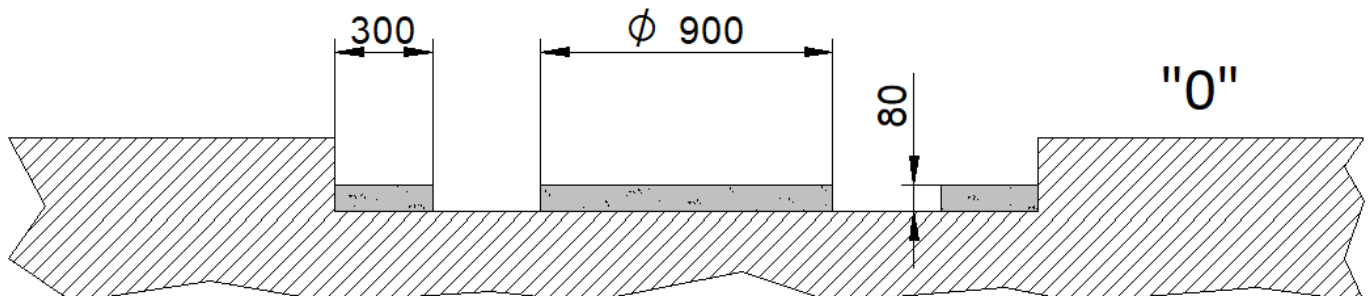
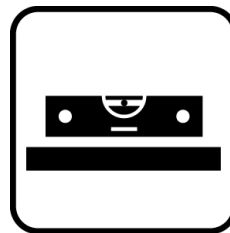
HIC = 1,0 m

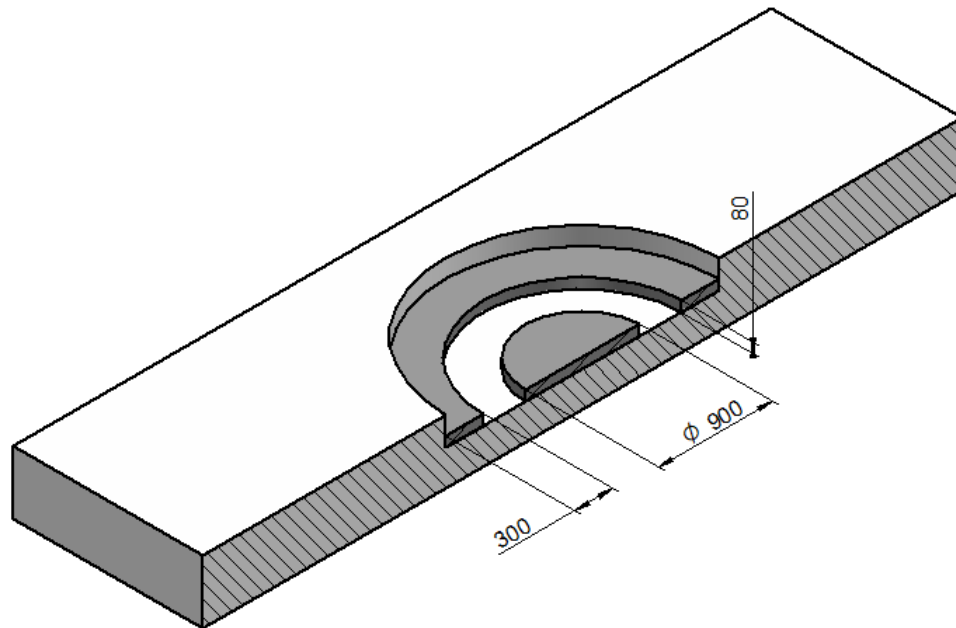




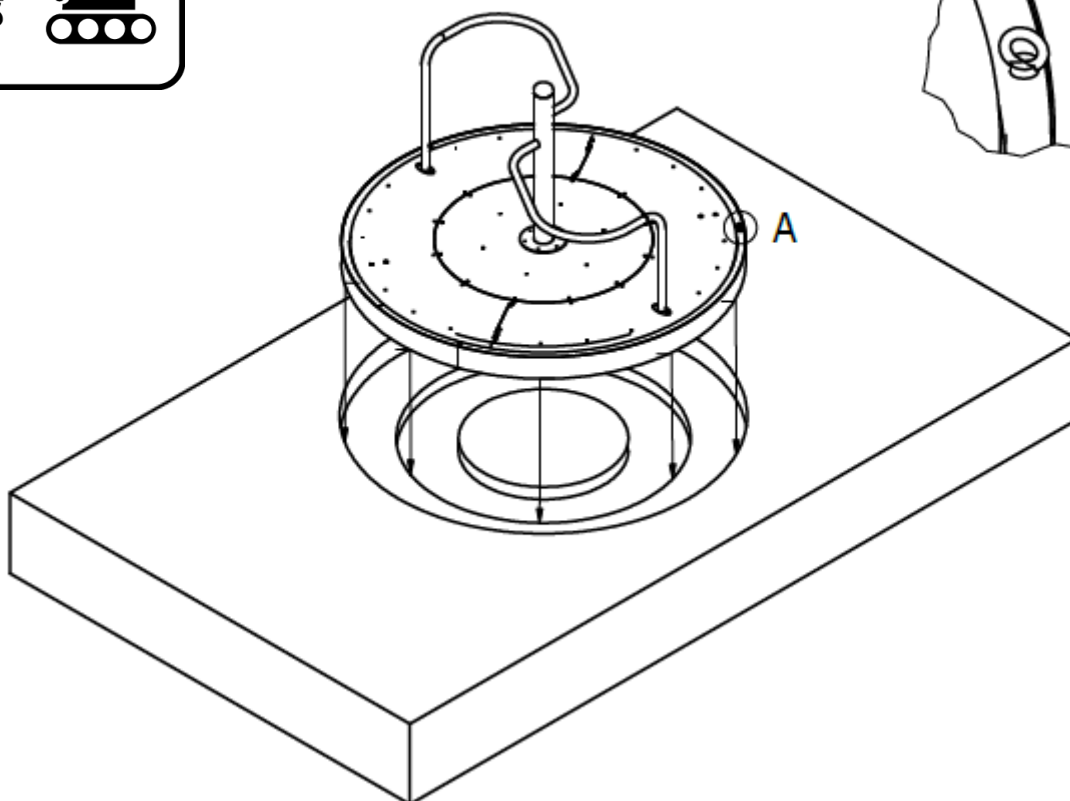


Dry concrete

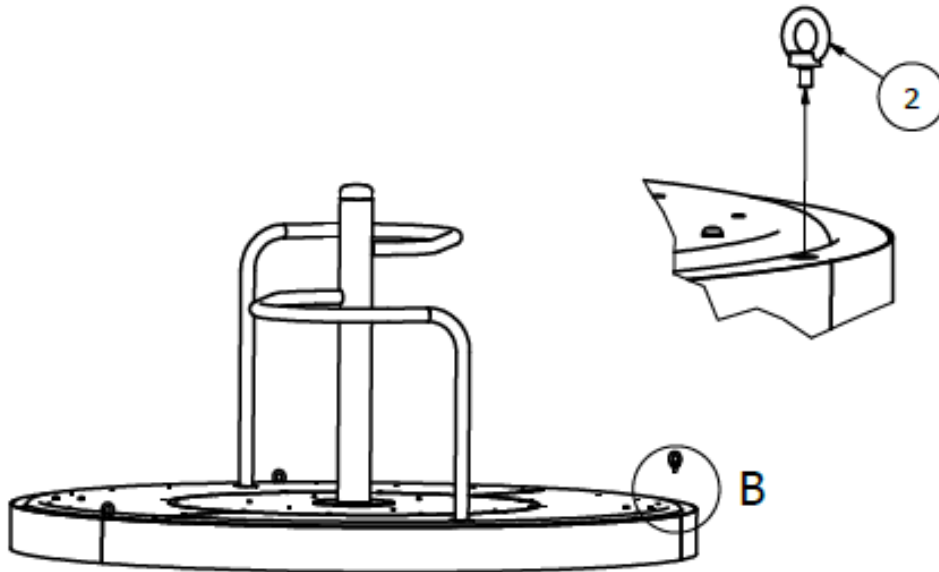




A (1 : 5)



B ( 1 : 5 )



B ( 1 : 5 )

