

Installation guide

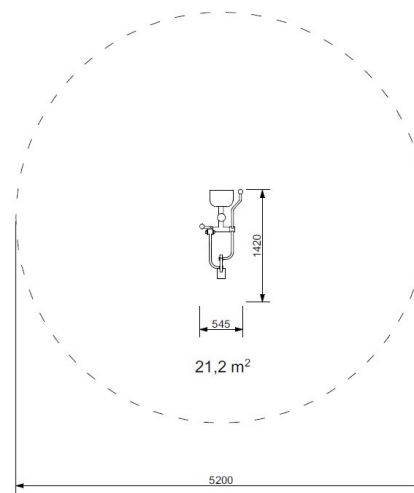
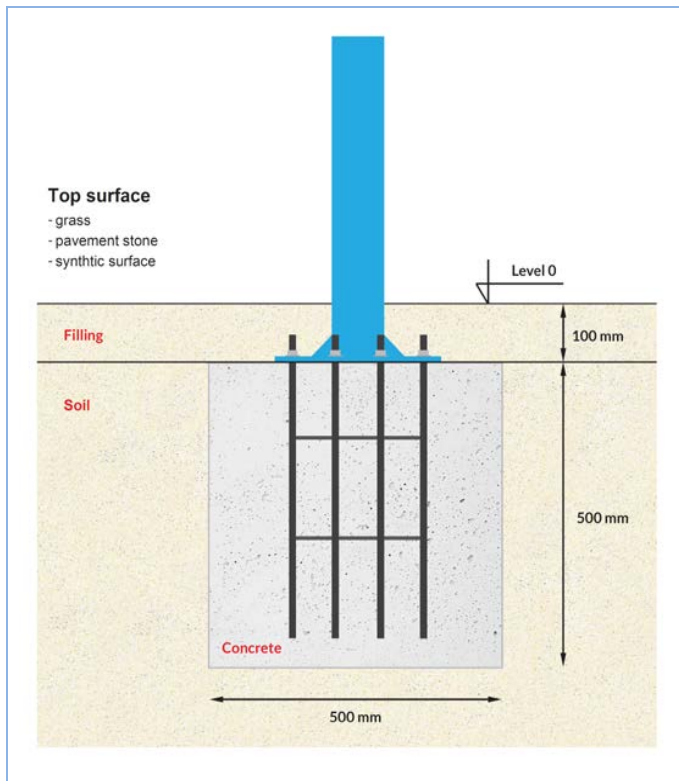
Digger Digo

Code: KS-RO-01

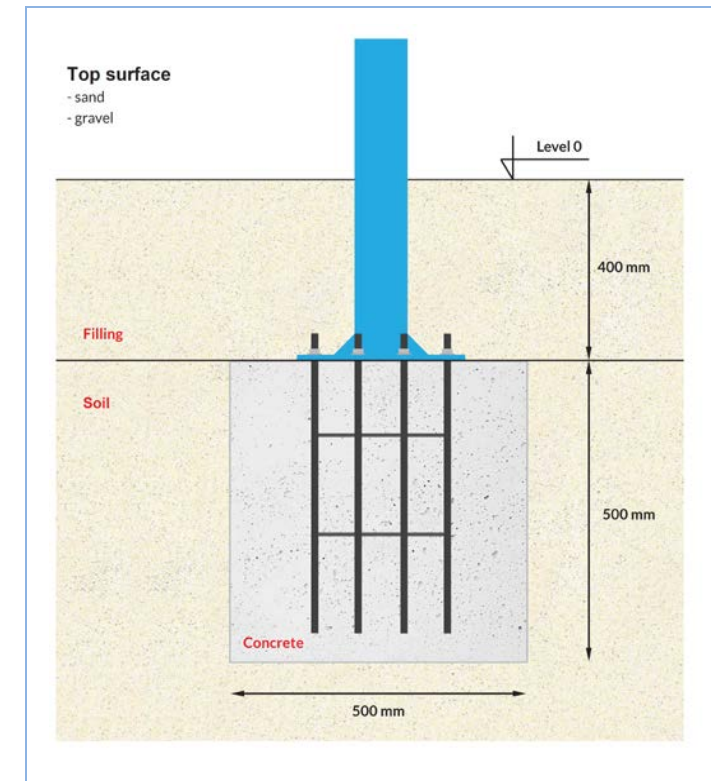


Installation Digo excavators depending on the type of surface

Top surface:
 grass
 pavement stone
 synthetic surface



Top surface:
 sand
 gravel



Order of installation:

1. Marking of foundation holes and a safety zone.
2. Dig a foundation hole to the depth appropriate for the device and the surface.
3. Place the steel anchor on the bottom of the hole, level it and verify the depth and position of the depth and position of the top of the anchor.
4. Once the anchor is properly positioned, fill the hole with concrete so that the threaded rods of anchor protrude 40-45 mm above the concrete level. Make sure that the anchor is placed at the right angle and position!
5. After the concrete has hardened, place the device on the threaded rods of the anchors protruding from the foundation. Be careful not to damage them.
6. Prepare the mounting elements.
 - 4 M16 galvanized washers;
 - 4 M16 galvanized nuts;
 - key No. 24.
7. Put a washer and a nut on each thread. Tighten the nuts gently with a wrench.
8. Check that the device is properly seated (vertical, horizontal). Make sure the device is stable. If the unit is not level, align it by adding washers for the threaded rods under the unit. If the device is level, tighten the nuts as much as possible and put on the plastic protective plugs.
9. After tightening the screws, fill the hole with ground (soil).
10. Place the proper surface layer around the device.

The Digo excavator consists of:

- Lower load-bearing pole for the excavator.
- Upper load-bearing pole for the excavator.
- Left excavator handle.
- Handle for the right excavator with a lever.
- Left lever.

| LISTA CZĘŚCI | | | |
|--------------|-------|---------------------------------|----------------------------|
| POZYCJA | ILOŚĆ | NUMER CZĘŚCI | OPIS |
| 1 | 1 | Dźwignia lewa | 160.000.005 |
| 2 | 1 | Rączka koparki lewa | 160.000.003 |
| 3 | 1 | Rączka koparki prawa z dźwignią | 160.000.004 |
| 4 | 1 | Słup nośny górny koparki | 160.000.007 |
| 5 | 1 | Siedzenie | |
| 6 | 1 | Podstawa dolna koparki | 160.000.001 |
| 7 | 1 | Łyżka do koparki | |
| 8 | 1 | zaślepka fi42 | |
| 9 | 2 | zaślepka fi60 | |
| 10 | 3 | Pierścień Segera fi25 Z | |
| 11 | 5 | Łożysko 6205 2RS | |
| 12 | 1 | Łożysko 6006 2RS | |
| 13 | 1 | podkładka fi44 | |
| 14 | 1 | DIN 9021 - 13 | Podkładka |
| 15 | 1 | CSN 02 1402 - M12 | Nakrętki sześciokątne małe |
| 19 | 6 | Łożysko 6002 2RS | |
| 20 | 2 | Podkładka M12 DIN 125 | |
| 21 | 4 | Podkładka M10 | DIN 440 |
| 22 | 4 | Zaślepka na śrubę M12 | |
| 27 | 1 | Ośka 17-01 | |
| 29 | 1 | Nakrętka sześciokątna | |

