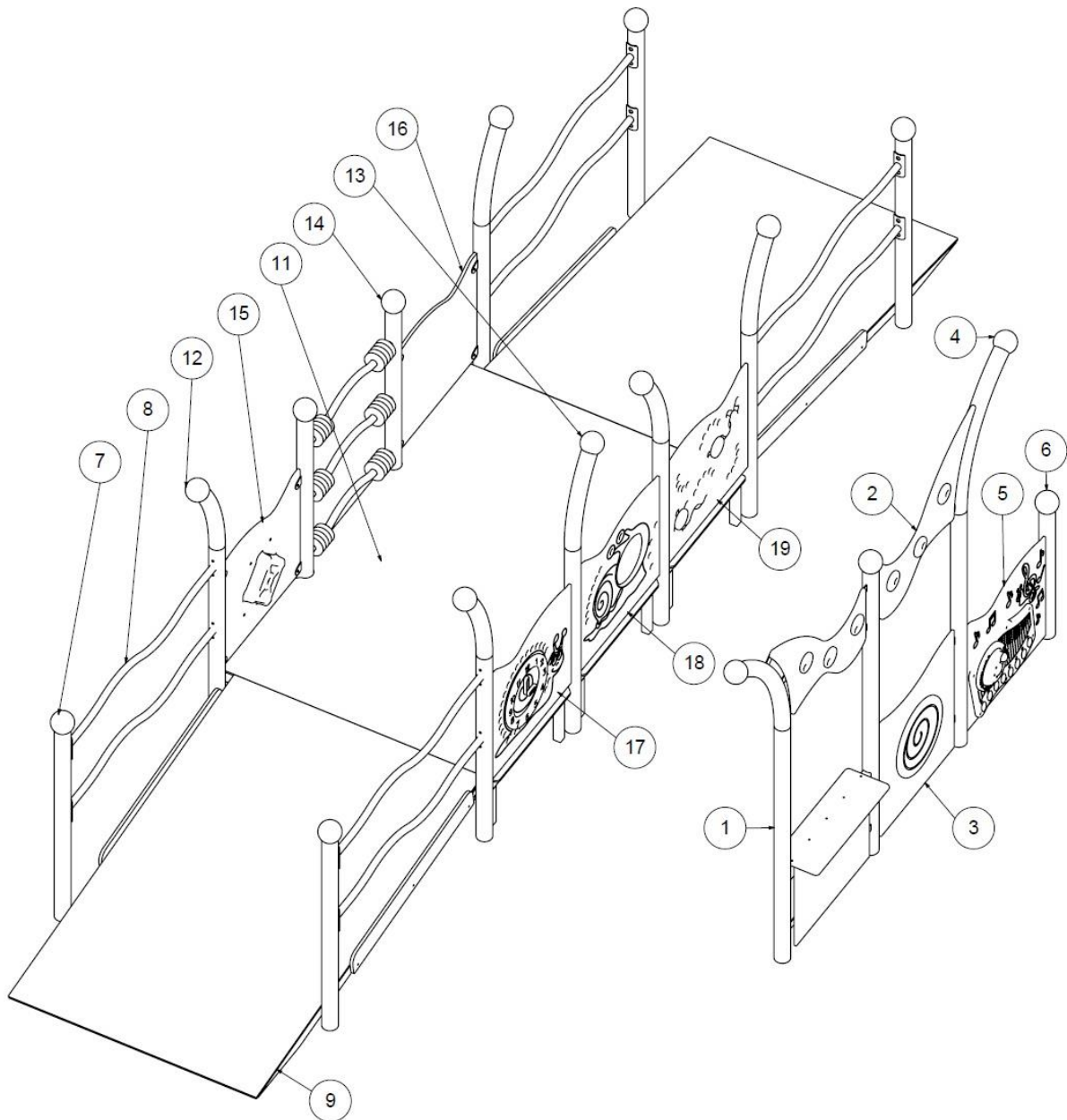


## Installation guide K 1001 "Kajo 1"

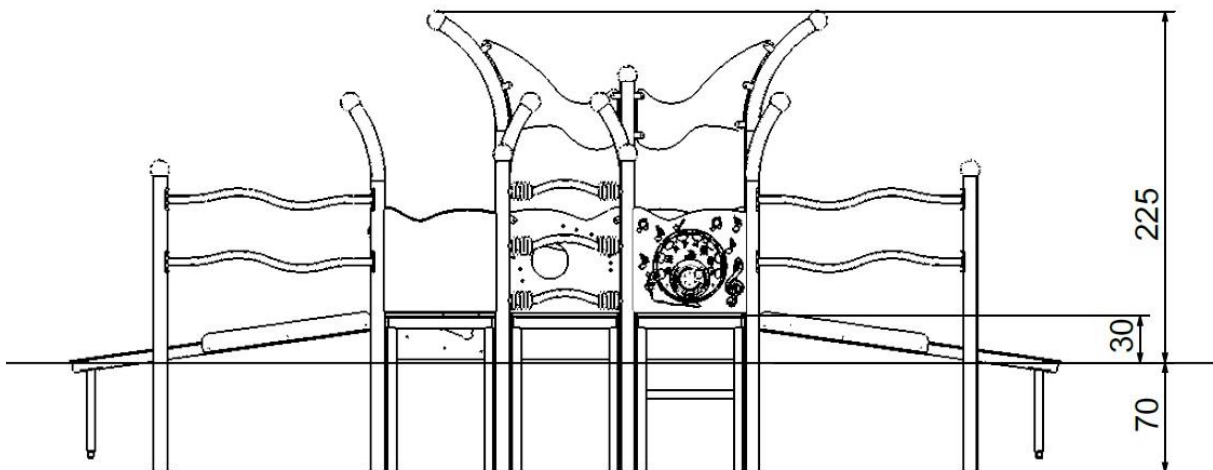


List of parts for installation:

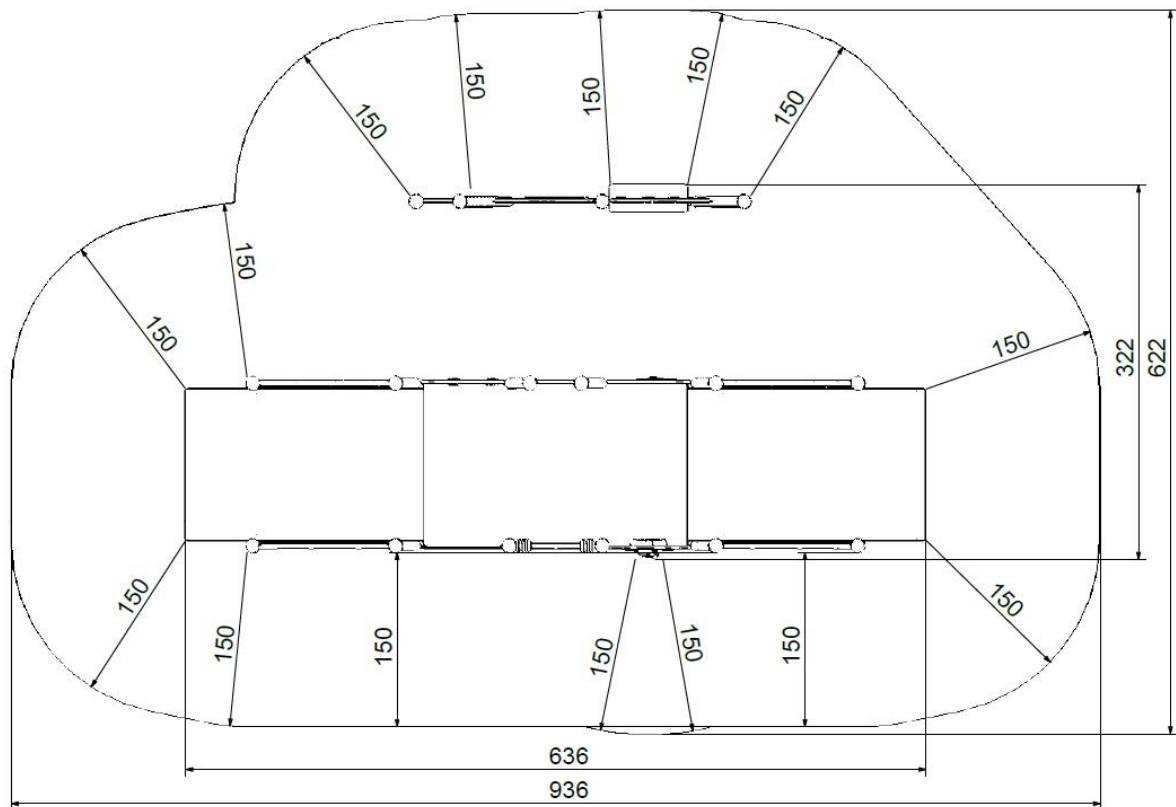
Part	Part's number	Quantity
1	Frame of the counter	1
2	The wall	1
3	The wall	1
4	Post H=290cm	1
5	Board Sono	1
6	Post H=150cm	1

7	Post H=190cm	4
8	Handrail of the driveway	8
9	The driveway	2
10	The anchor of the driveway	4
11	Platform	1
12	Post Edito no 1 H=236cm	4
13	Post Edito no 2 H=236cm	2
14	Frame	1
15	Wall Sono	1
16	Black wall	1
17	Wall Edito	1
18	Wall Edito	1
19	Wall Edito	1

Marking of foundation depth:



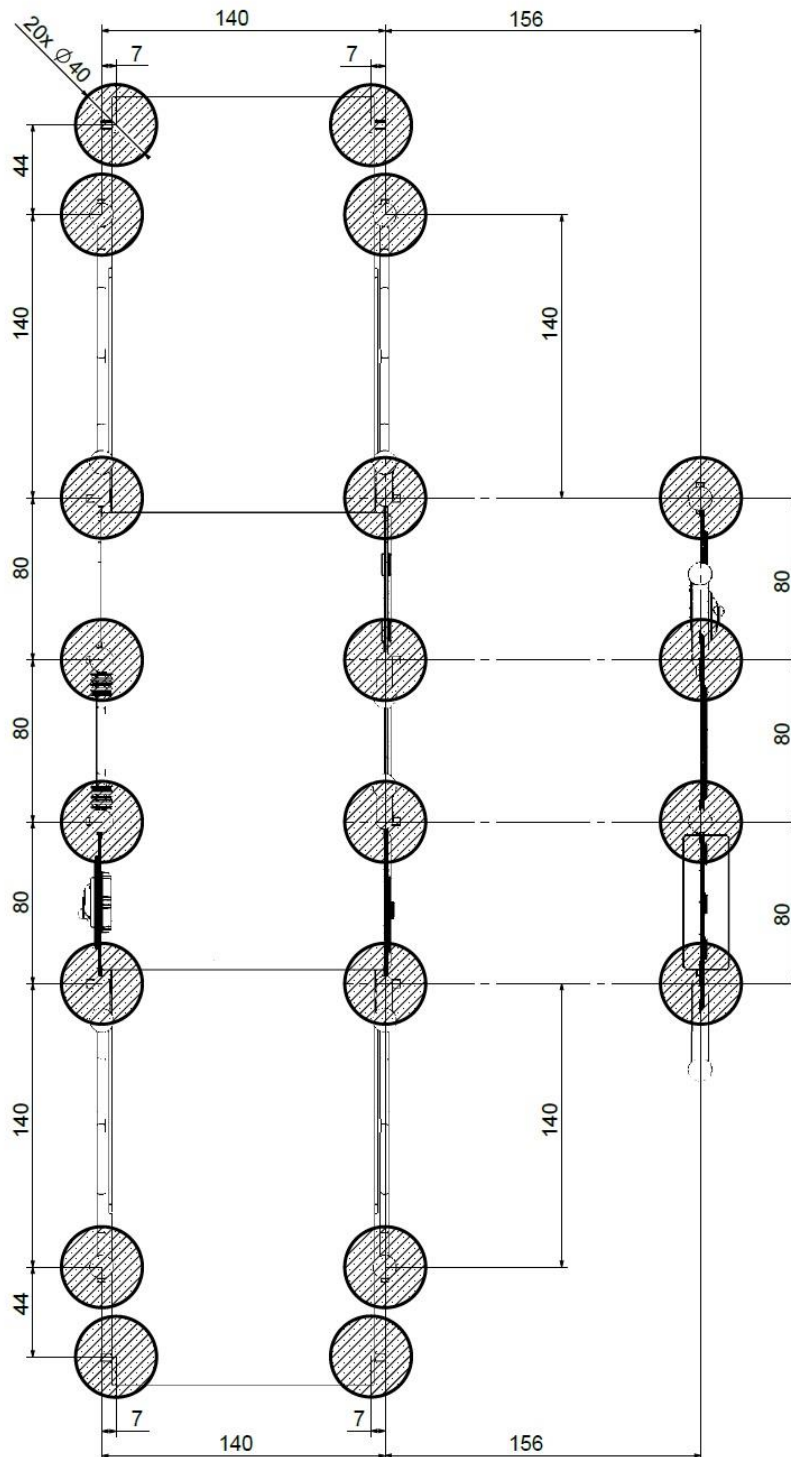
Marking of the safety zone:



Order of installation:

1. Marking of installation holes.
2. Embed the frames and posts into installation holes.
3. Install walls.
4. Install driveways.
5. Filing with concrete.

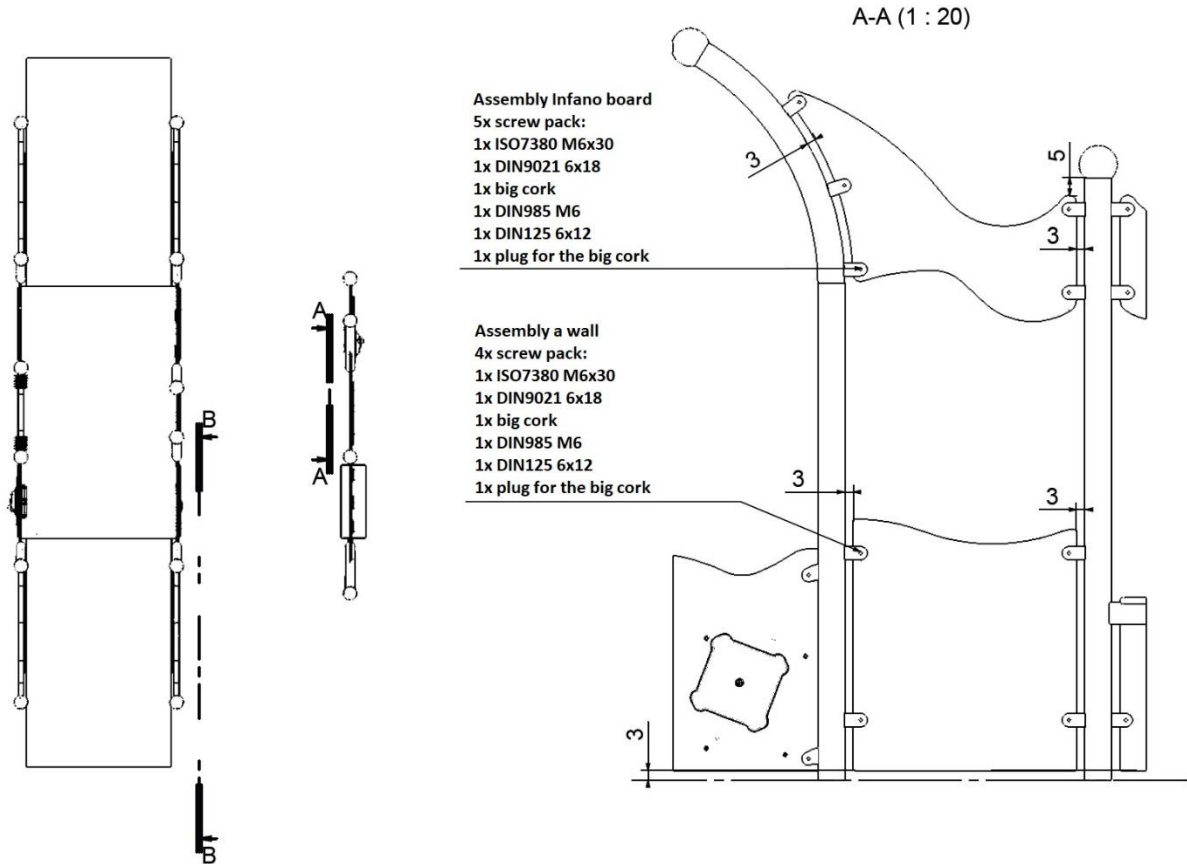
Location of installation hole (foundation blocks):



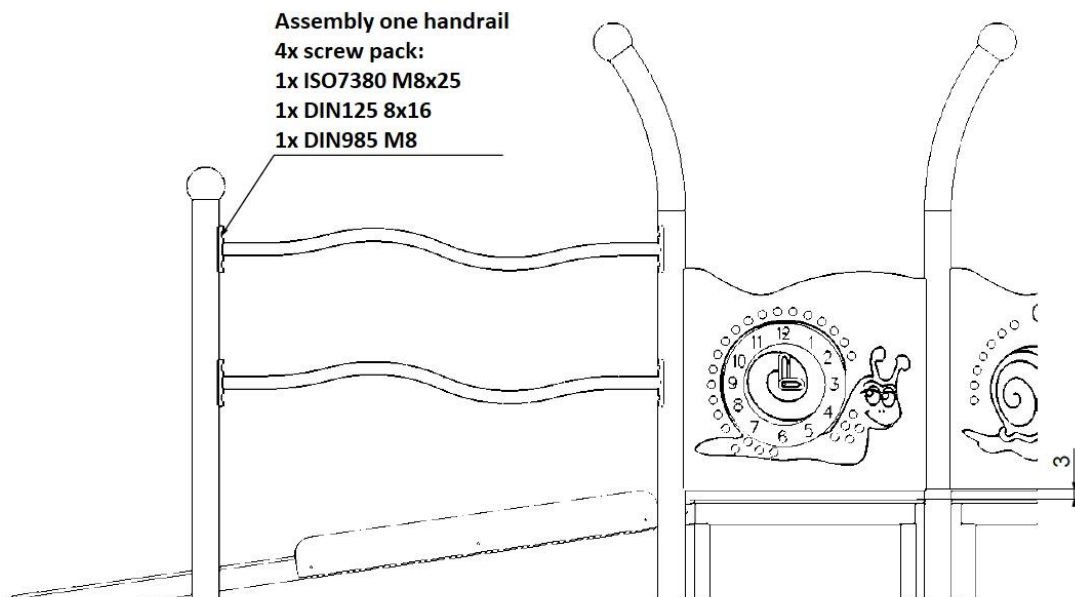
Comment:

The height of block foundations – 30 cm ( for the elements which are anchoring 70 cm into the ground).

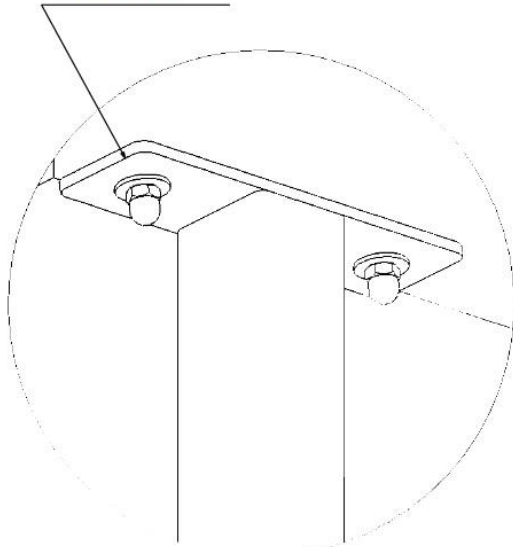
Assembly:



B-B (1 : 20)



**Assembly an anchor**  
2x screw pack:  
1x DIN7991 M6x80  
1x DIN9021 6x18  
1x DIN1587 M6



**Assembly a driveway**  
4x screw pack:  
1x ISO7380 M8x60  
1x DIN9021 8x24  
1x DIN1587 M8

