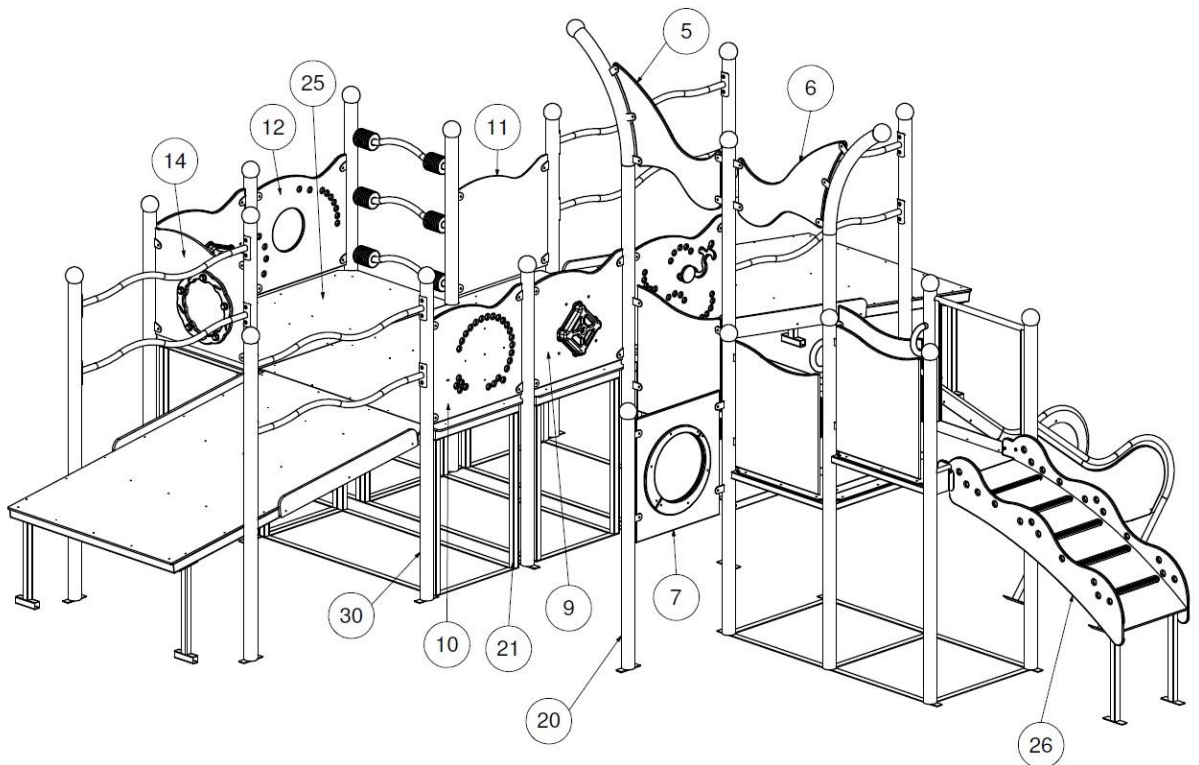
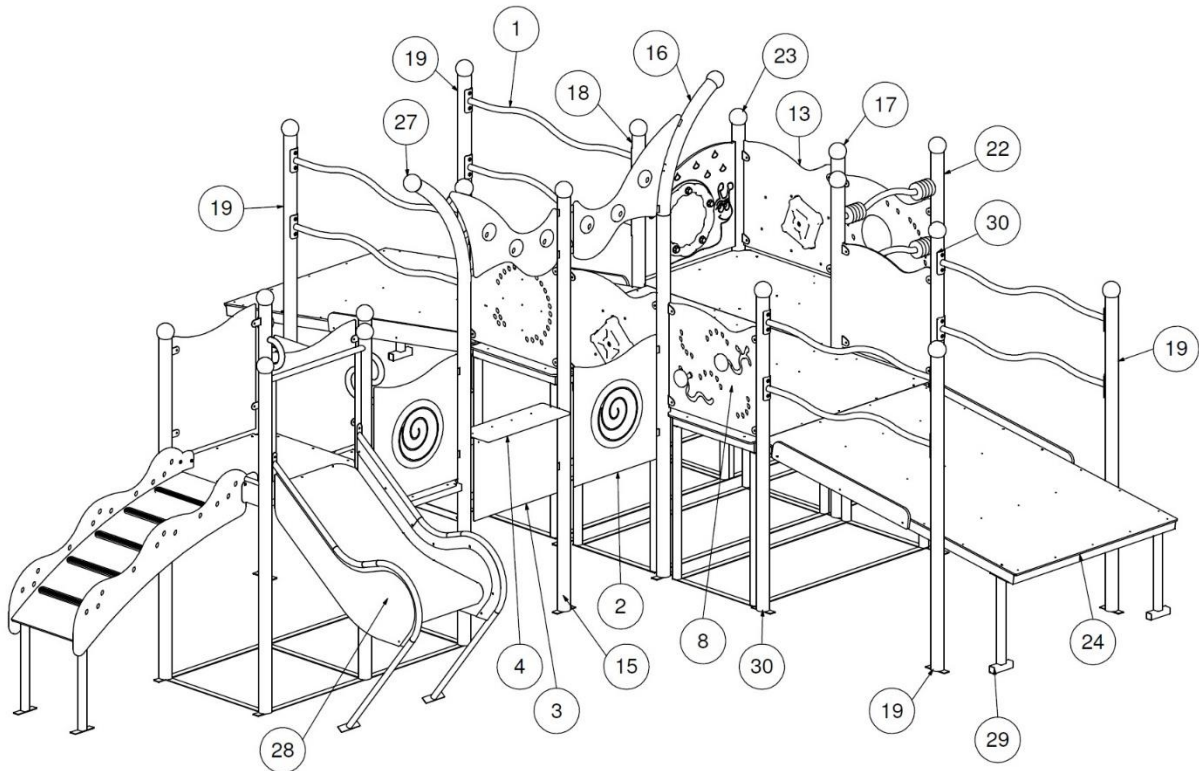


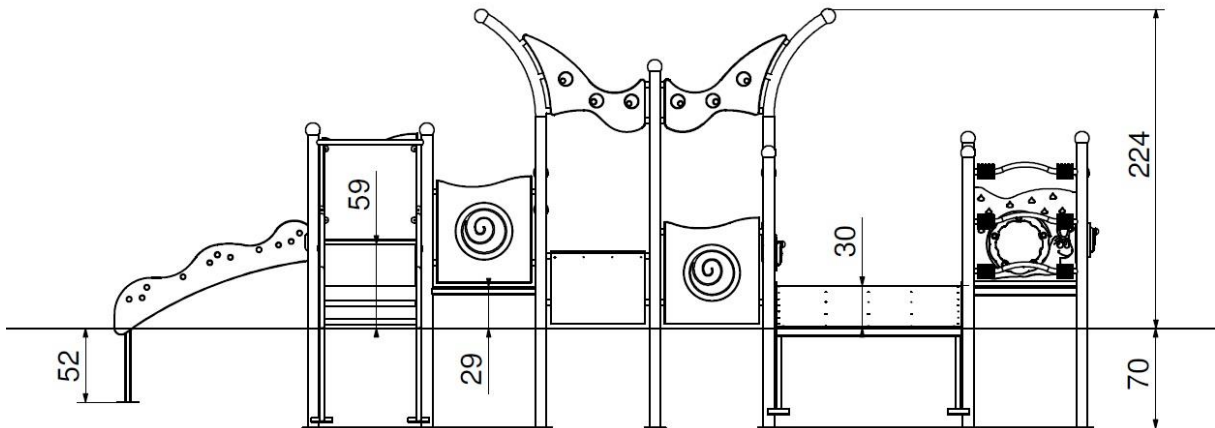
Installation guide K 1003 "Kajo 3"



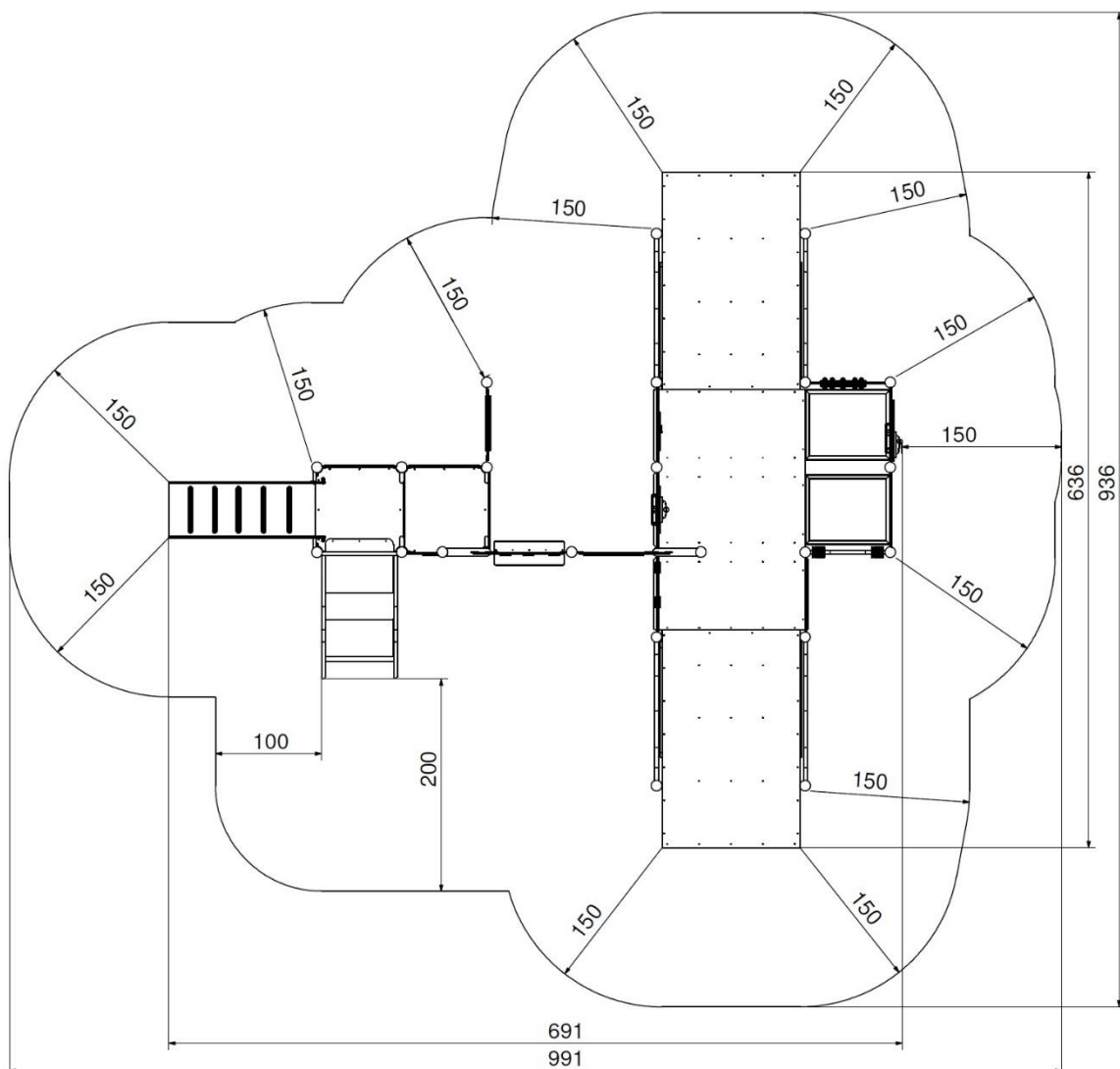
List of parts for installation:

Part	Part's number	Quantity
1	Handrail of the driveway	8
2	Pannel	1
3	Pannel	1
4	Pannel	1
5	Pannel	1
6	Pannel	1
7	Pannel	1
8	Snail wall	1
9	Education panel SONO 3	1
10	Pannel	1
11	Pannel	1
12	Pannel	1
13	Education panel SONO 3	1
14	Pannel + ball module	1
15	Post 1	1
16	Post 2	1
17	Post 3	2
18	Handrail post 2	1
19	Handrail post 1	4
20	Post 4	1
21	Platform 1	1
22	Frame of the pannel	1
23	Post 5	1
24	Driveway	2
25	Platform 2	1
26	Entrance ramp	1
27	Tower 1	1
28	Slide H60	1
29	Anchor of the driveway	4
30	Handrail post 3	3

Marking of foundation depth:



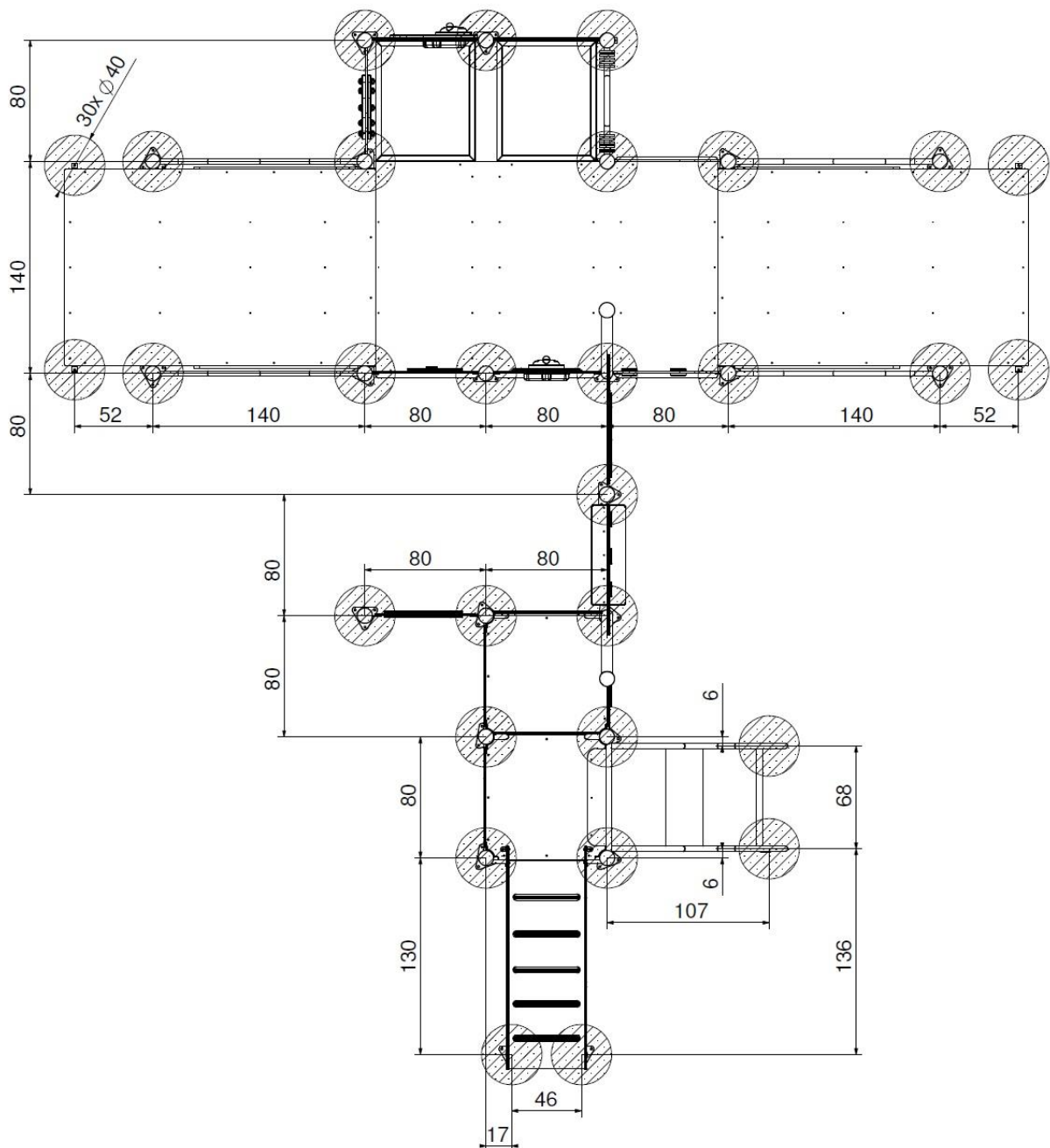
Marking of the safety zone:



Order of installation:

1. Marking of installation holes.
2. Embed the frames and posts into installation holes.
3. Install walls.
4. Install driveways.
5. Install slide and entrance ramp.
6. Filing with concrete.

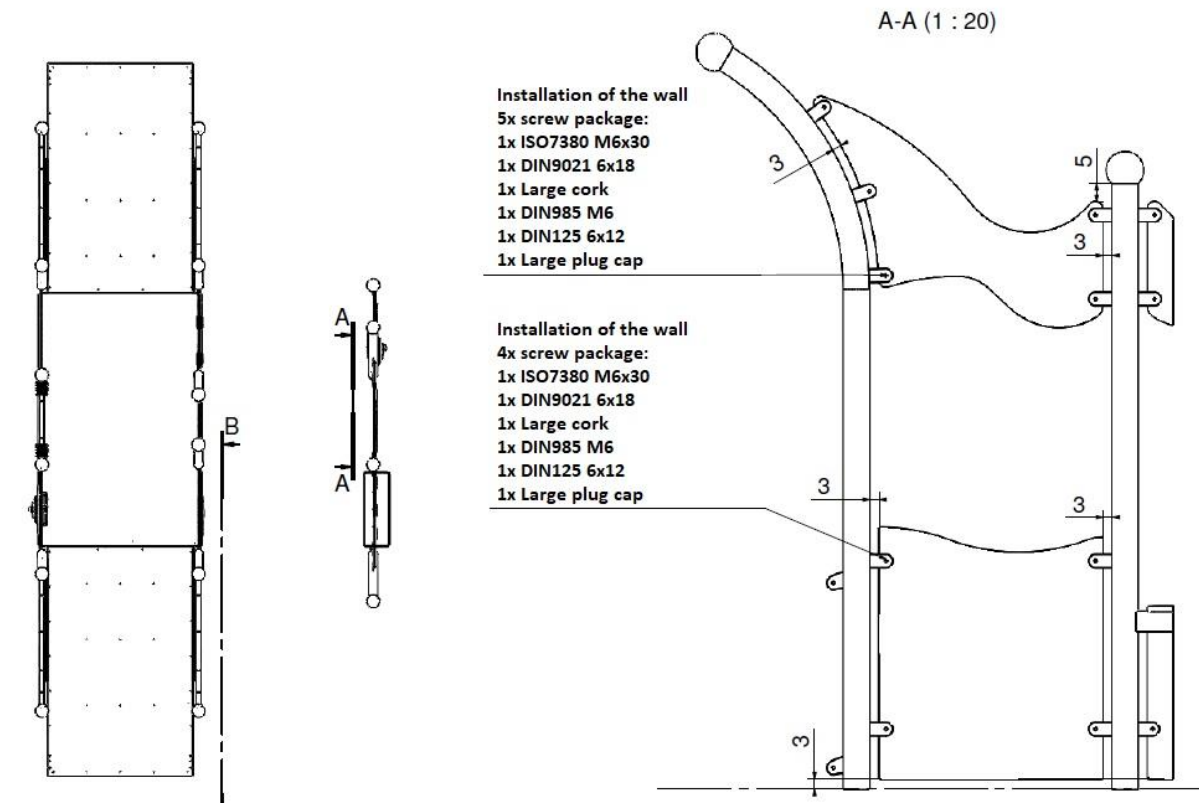
Location of installation hole (foundation blocks):



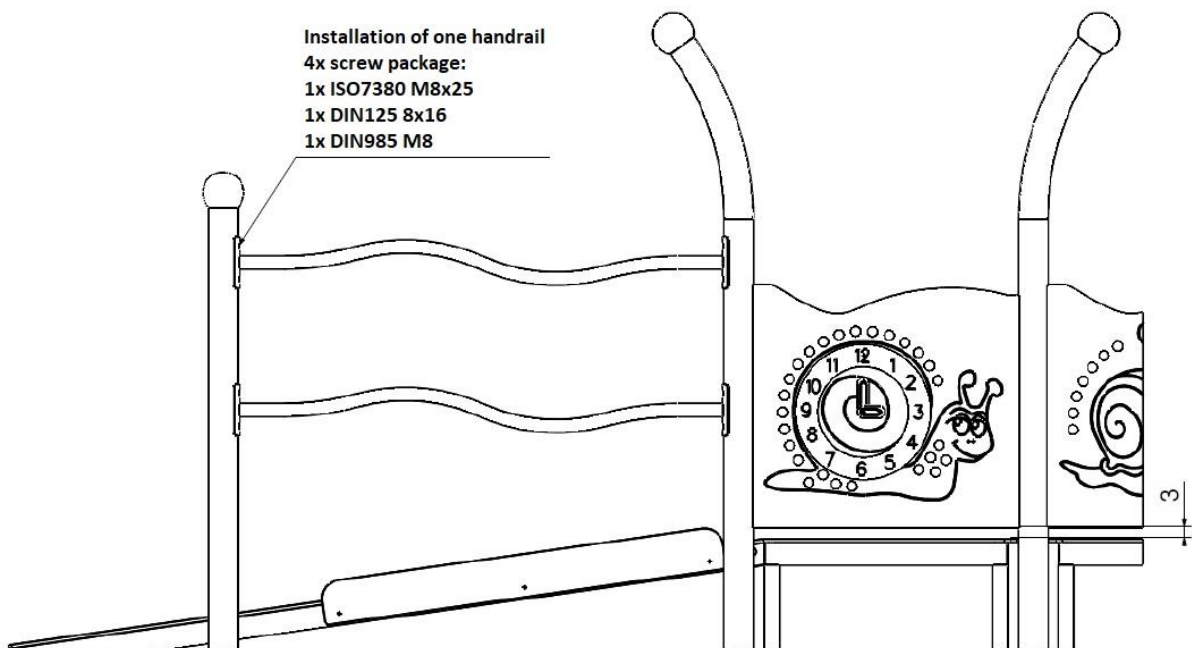
Comment:

The height of block foundations – 30 cm (for the elements which are anchoring 70 cm into the ground).

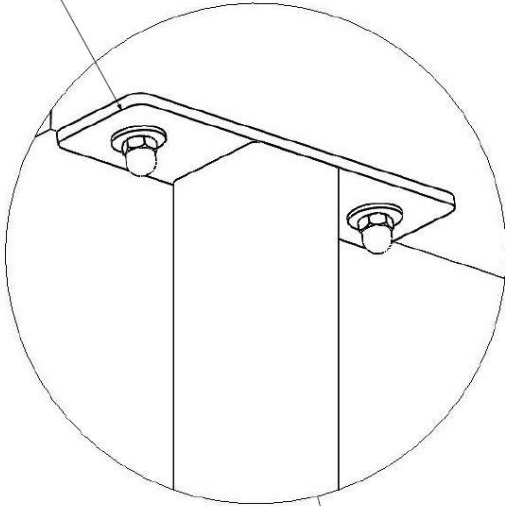
Assembly:



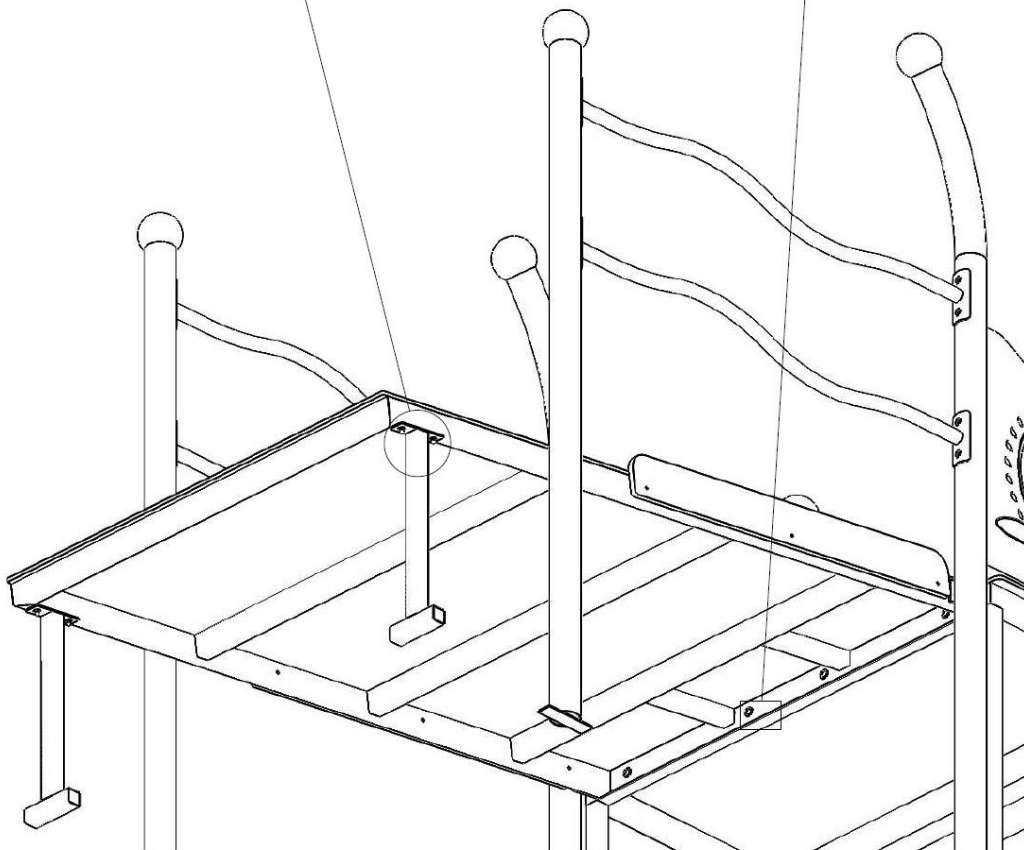
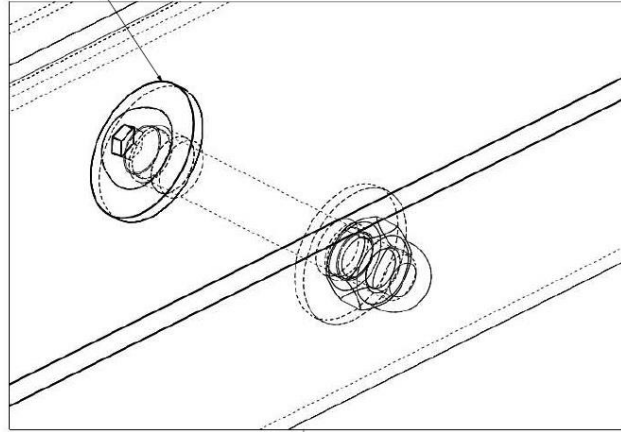
B-B (1 : 20)



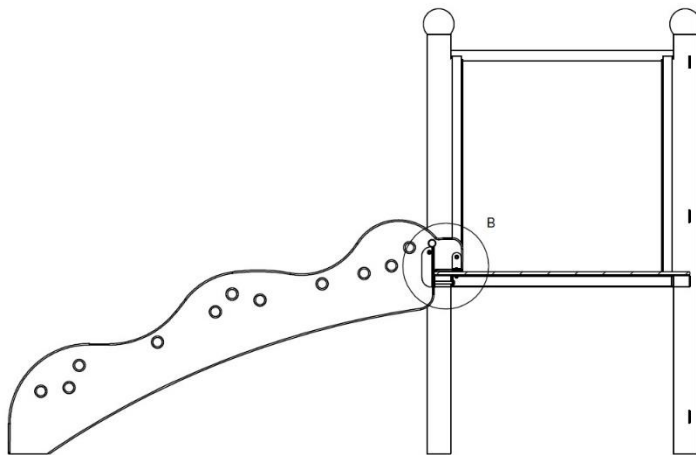
Anchor installation
2x screw package:
1x DIN 7991 M6x80
1x DIN9021 6x18
1x DIN1587 M6



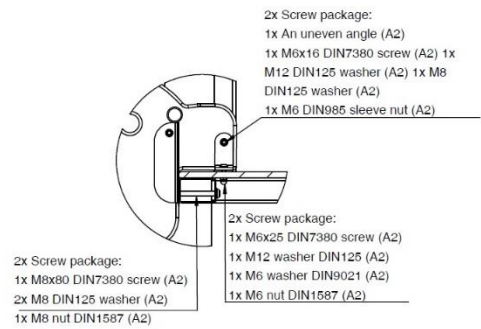
Installation of the driveway
4x screw package:
1x ISO7380 M8x60
2x DIN9021 8x24
1x DIN1587 M8



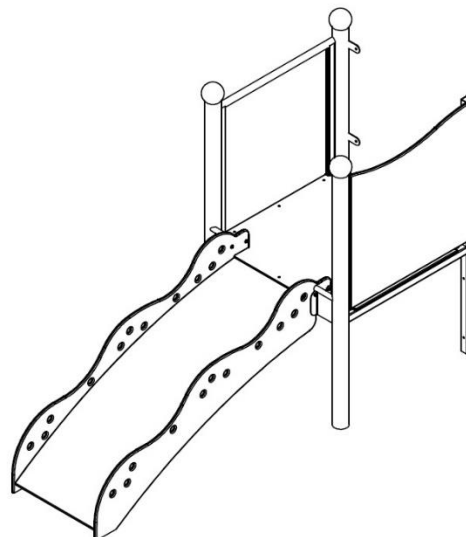
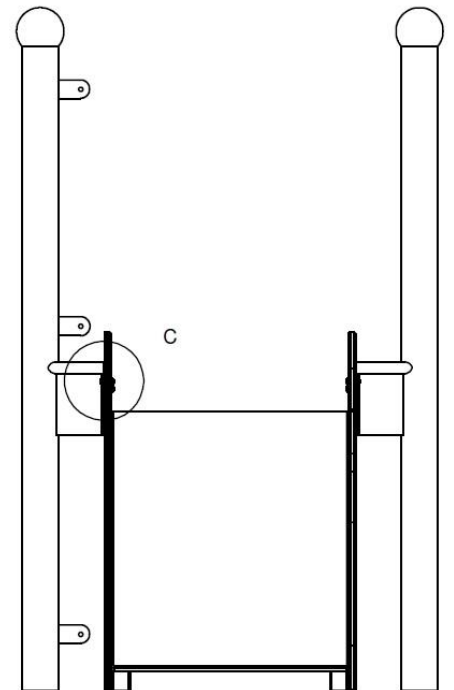
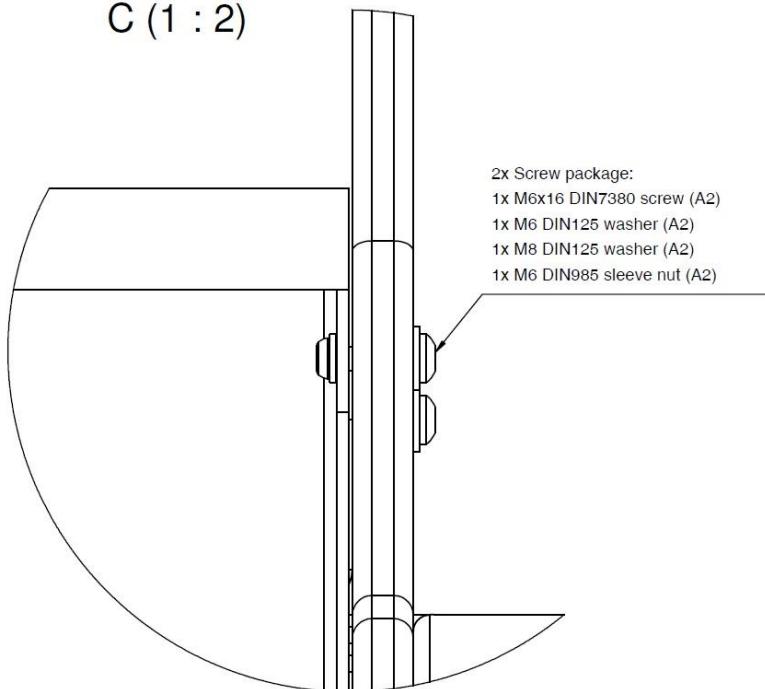
Assembly for entrance ramp



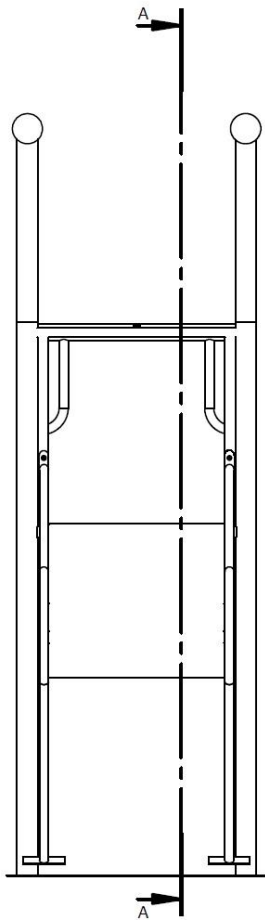
B (1 : 10)



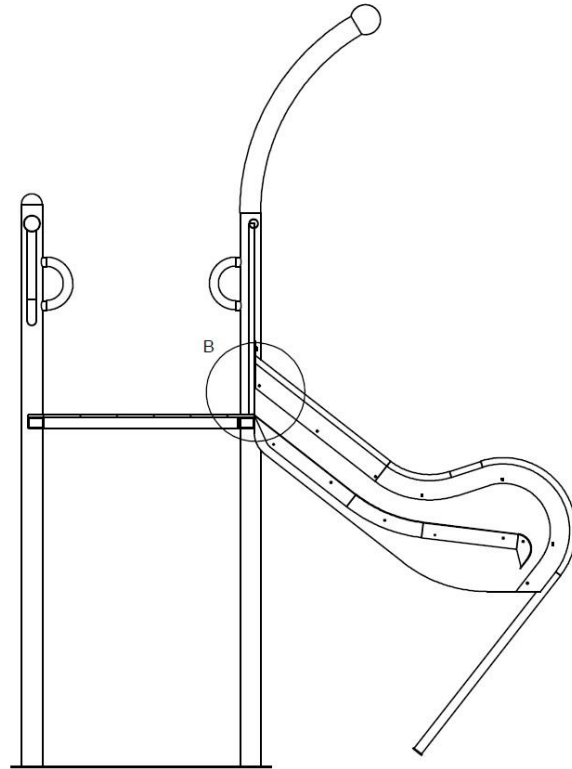
C (1 : 2)



Assembly for the slide

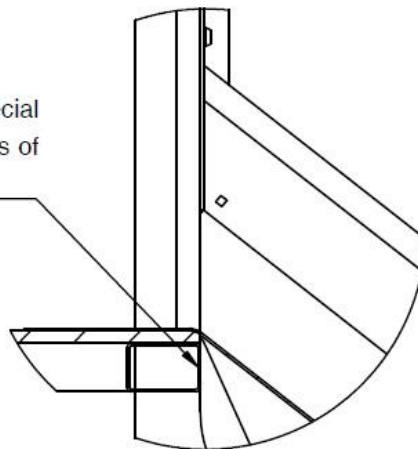


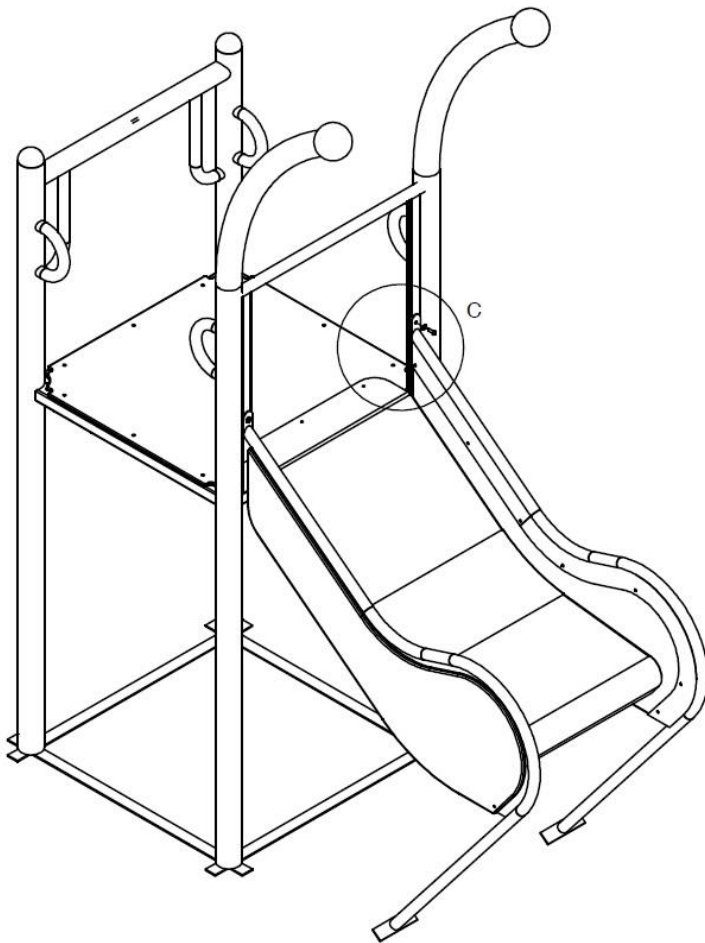
A-A (1 : 30)



B (1 : 10)

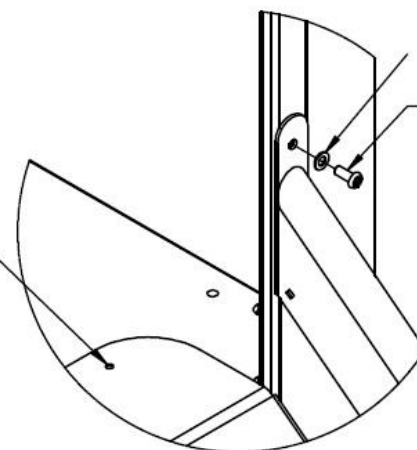
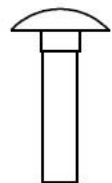
ATTENTION: during assembly pay special attention to proper adhesion of the plastic sides of the slide to the platform board vertically.





C (1 : 10)

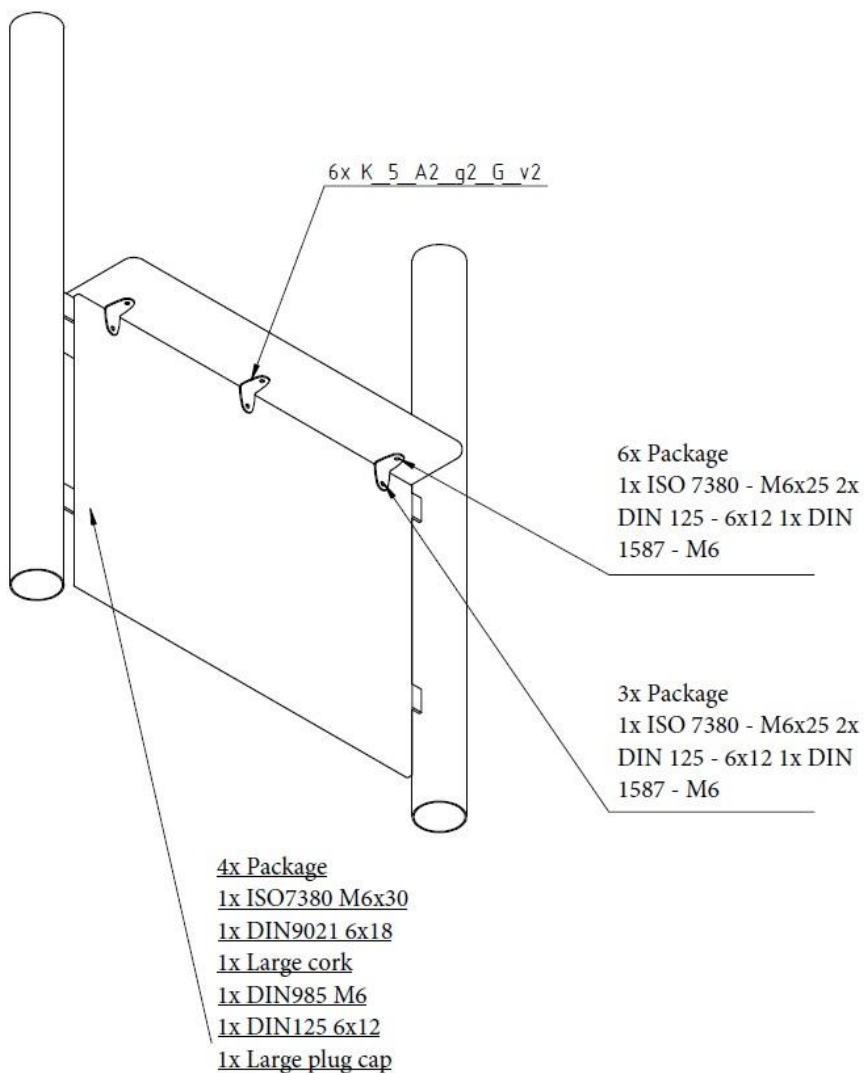
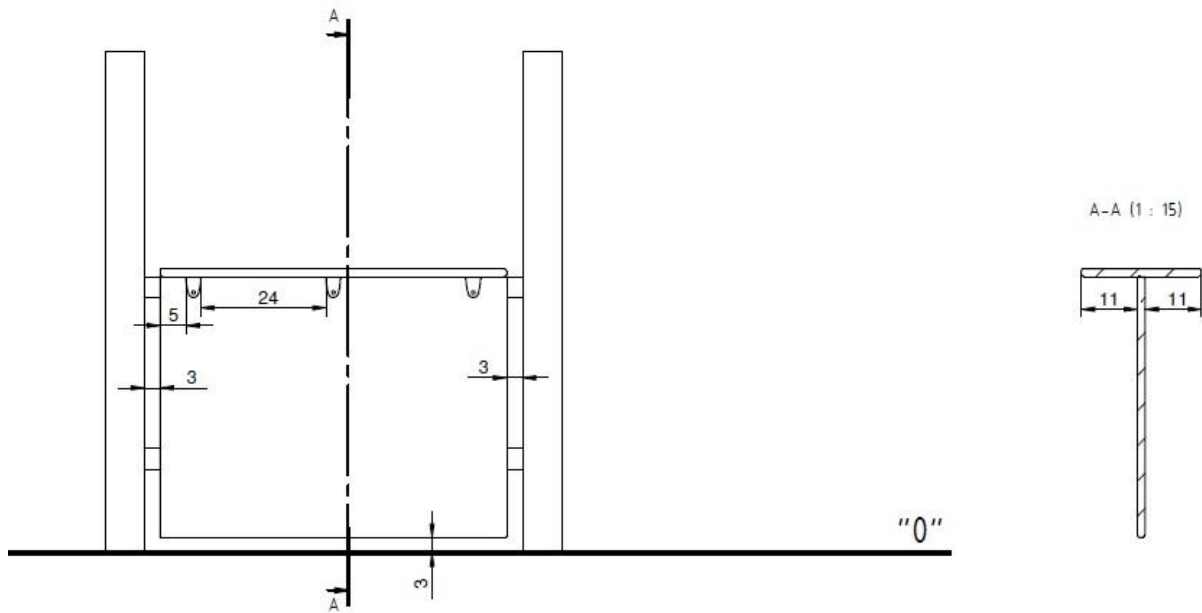
- 3x Screw package:
 1x M6x25 DIN603 screw (A2)
 1x 6x18 washer DIN9021 (A2)
 1x M6 nut DIN1587 (A2)



Washer 8x16 DIN125 (A2)

M8x20 ISO7380 screw (A2)

Panel – assembly



INTER-PLAY

tel. +48 91 506 50 41, export@inter-play.eu, www.inter-play.eu

Panel – assembly

