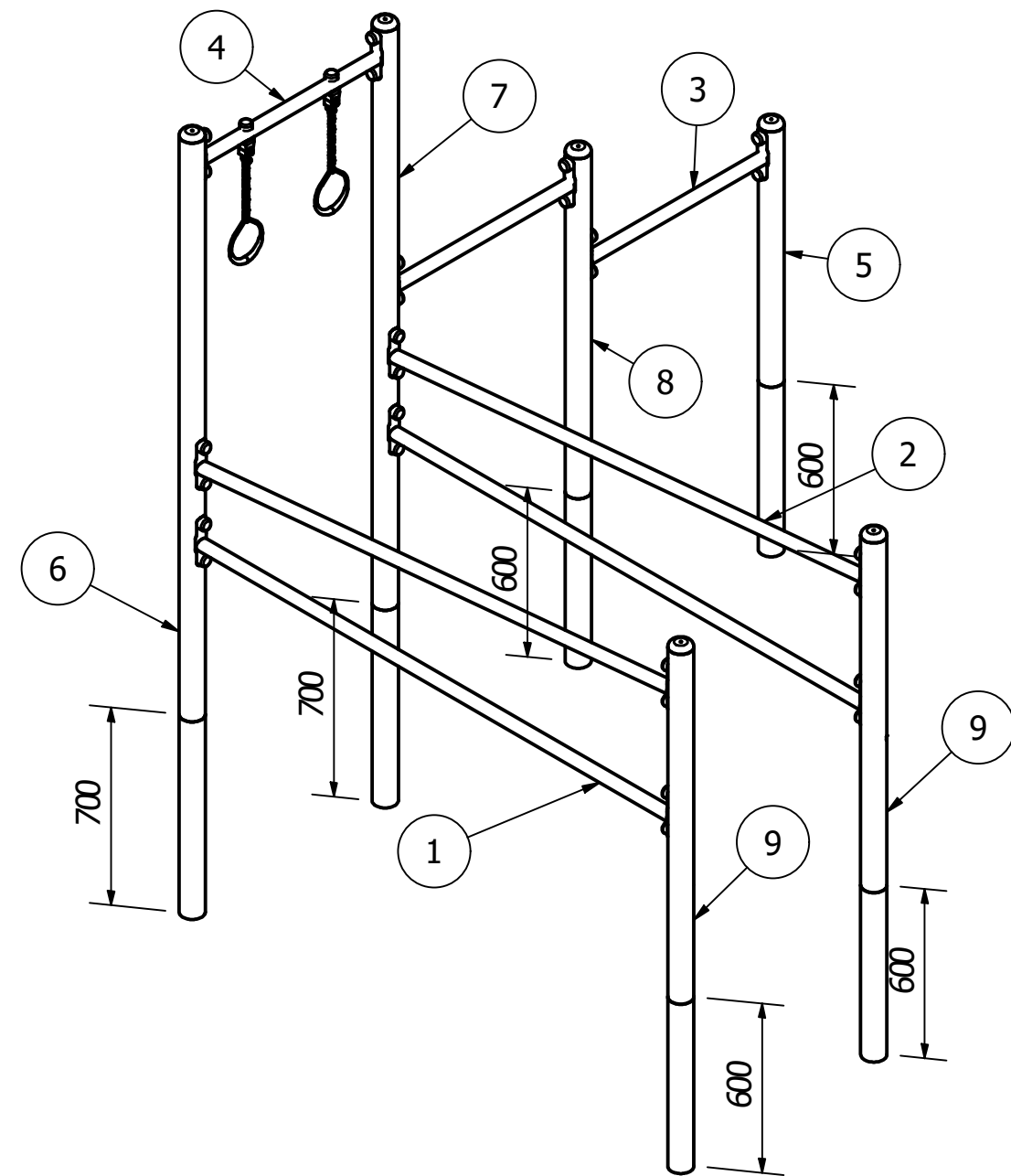
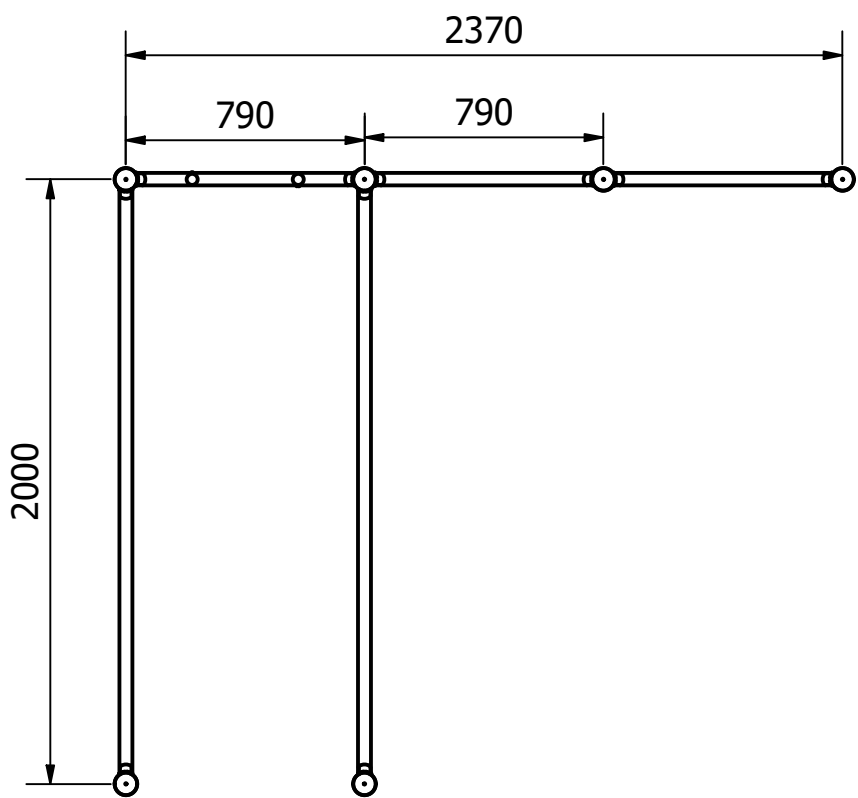
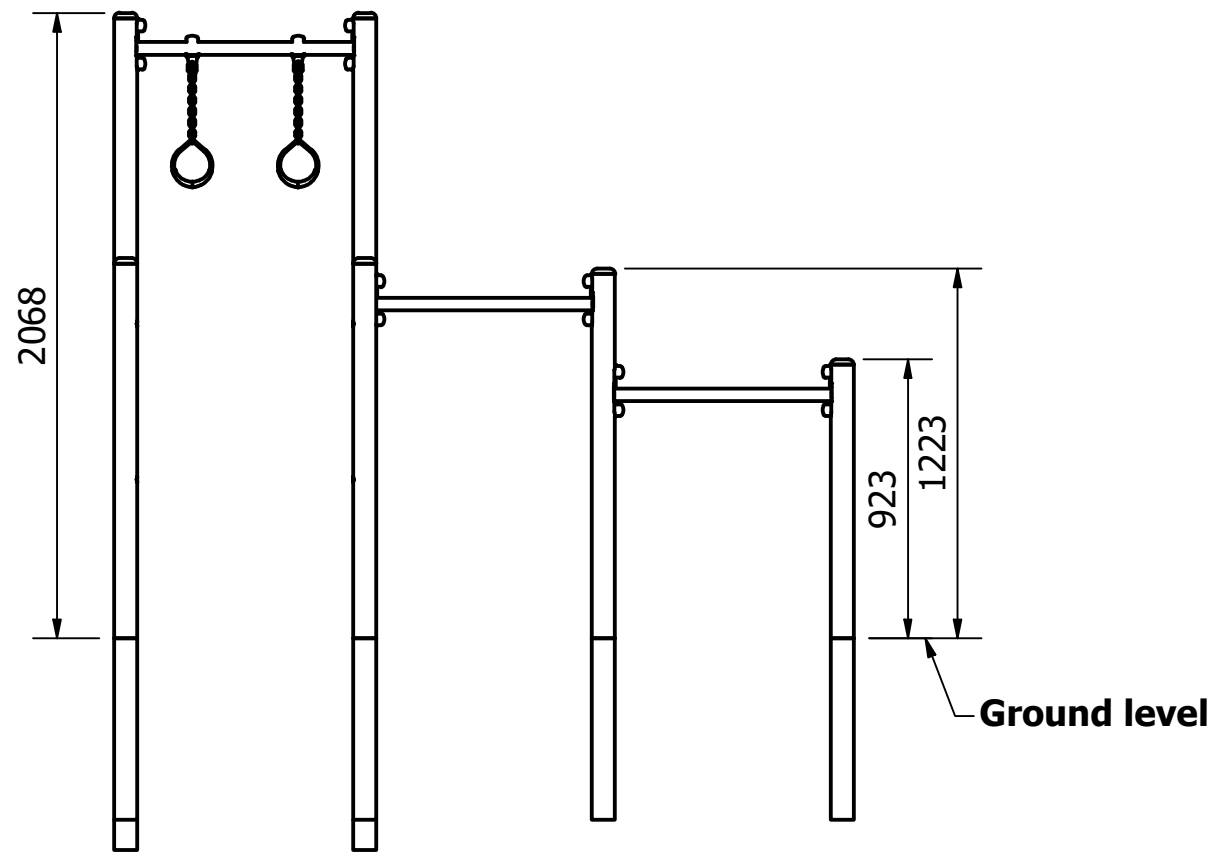


# Installation guide

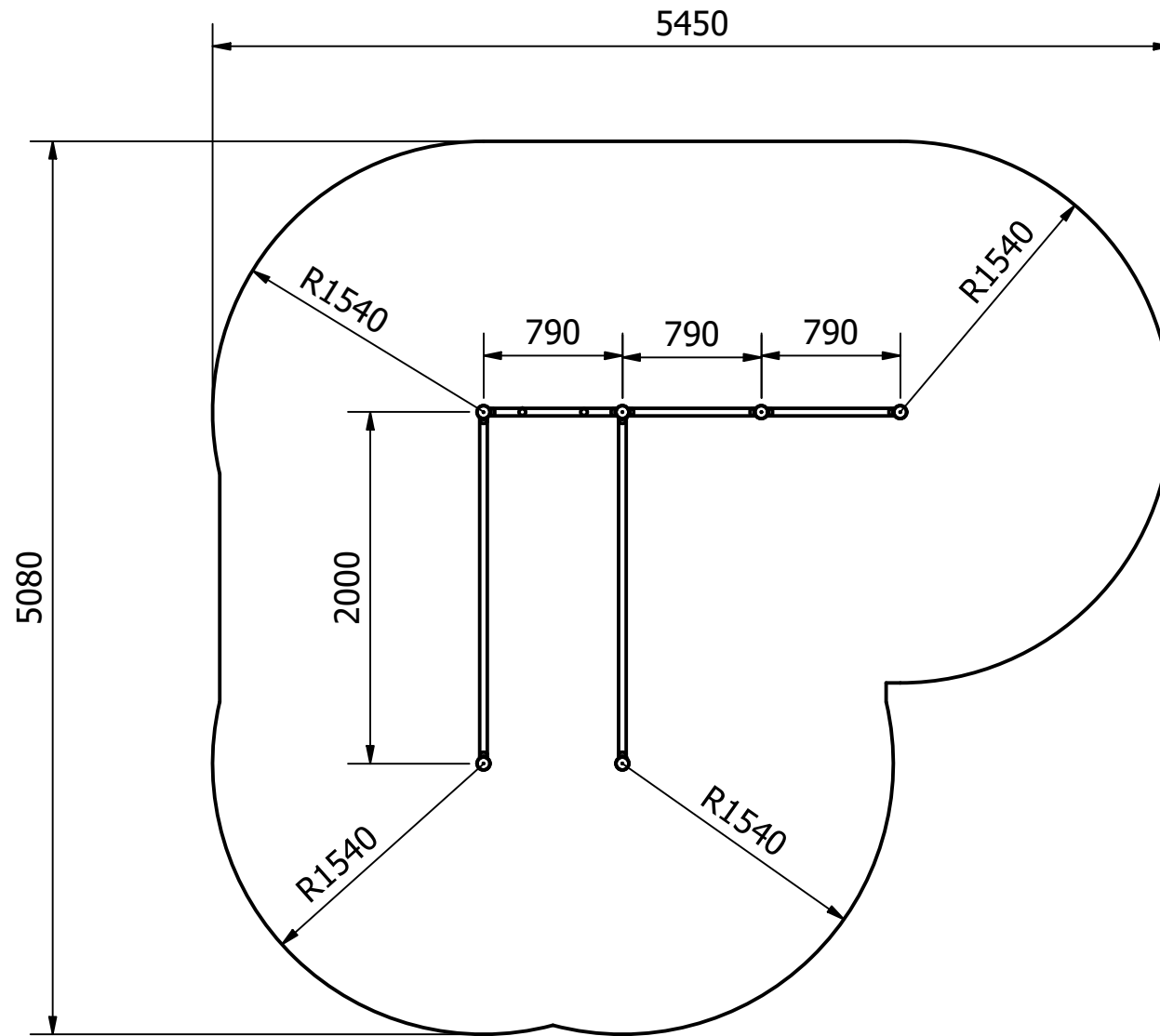
## STANDING FRAME 2

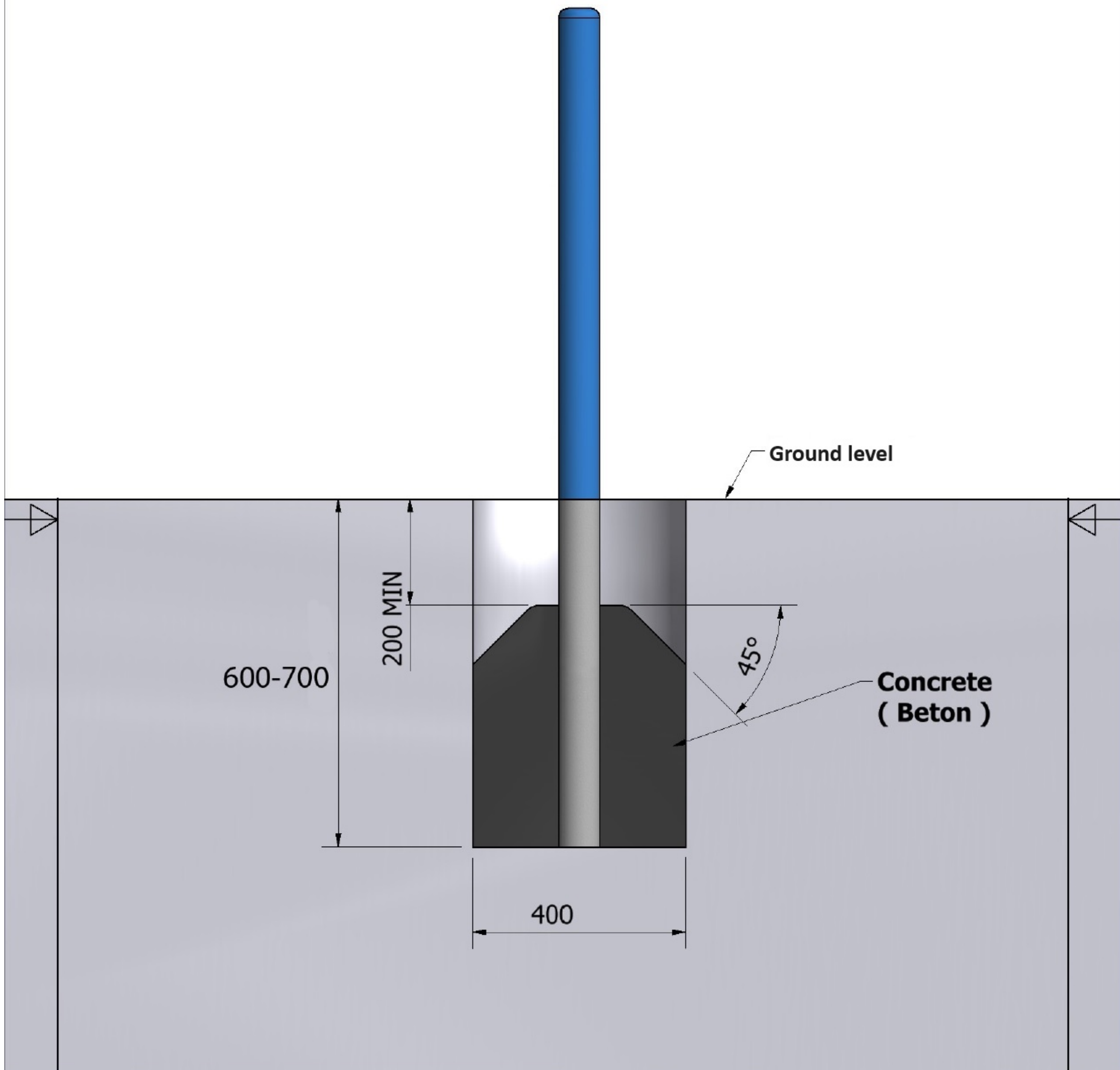
**Code: GK-IN-303**



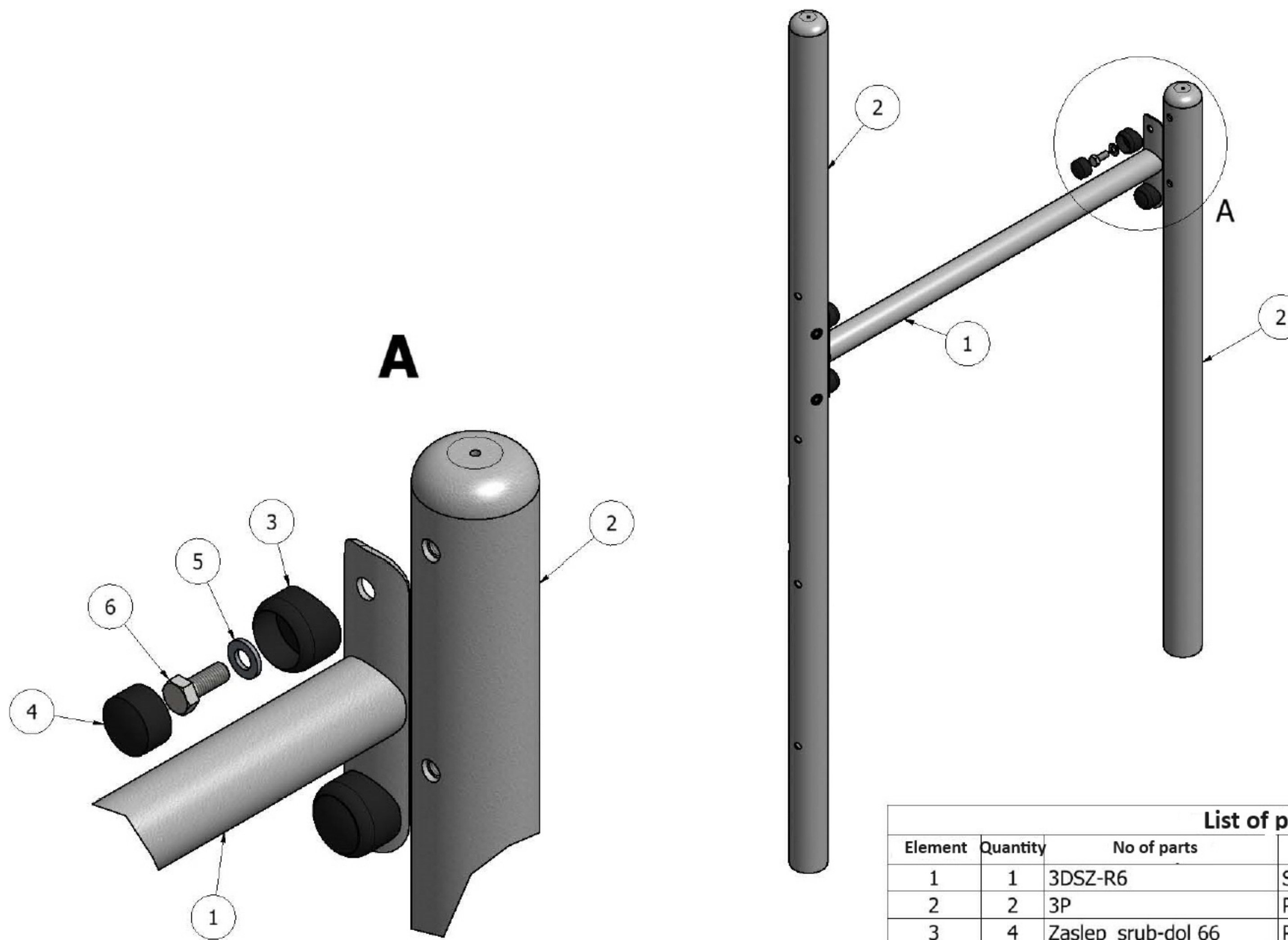


Name of part			
No.	Quantity	No. part	Description
1	2	3R-S2m	Straight railing, level M 2m
2	2	3R-S2m18	Railing h-18 2m
3	2	3R-S79	Straight bars 790
4	1	3R-LSZ8	Straight bar with slings
5	1	3G-0091	Post 905 + soil 600
6	1	3G-0234	Post 2050 + soil 700
7	1	3G-0235	Post 2050 + soil 700
8	1	3G-0122	Post 1205 + soil 600
9	2	3G-26029	Post 1240 + soil 600

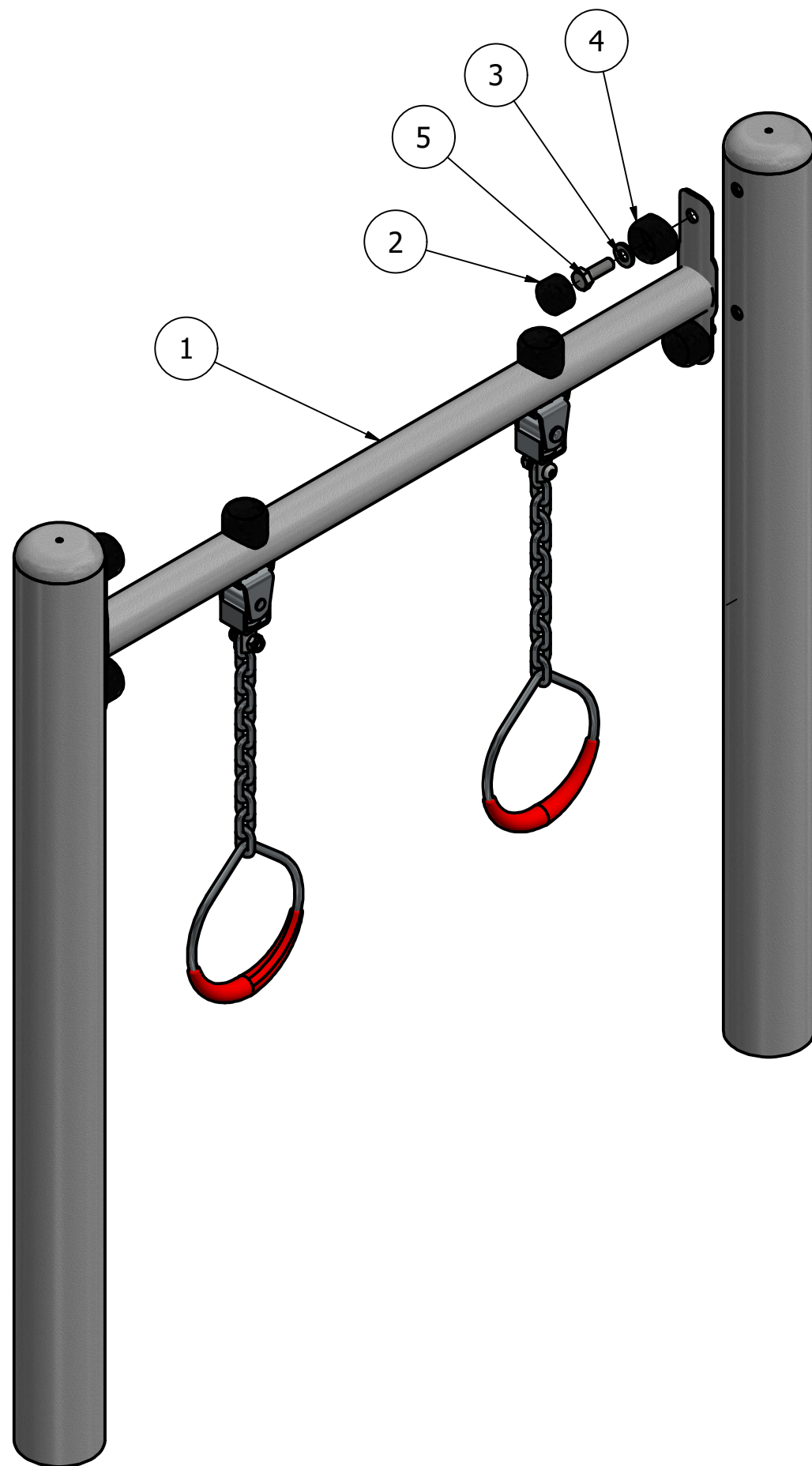




Foundation for free-standing poles



List of parts			
Element	Quantity	No of parts	Description
1	1	3DSZ-R6	Straight bar
2	2	3P	Post
3	4	Zaslep_srub-dol 66	Rounded covered end R=60
4	4	TZ-PC POLYFIX	Cover with boltcover
5	4	10-20 ANSI B18.22 M	Washer
6	4	M10x30 DIN 4016	Hex nut



Name of part			
No.	Quantity	Name of part	Description
1	1	30-RLSZZ	Bar with slings
2	4	TZ-PC	Cover with boltcover Polyfix
3	4	10-20 ANSI B18.22	Round washer fi10
4	4	157-001 POLYFIX	Rounded covered end R=40
5	4	M10x30 DIN 4016	Hex head screw