

### 1. Application

EUROFLEX® Living Animals are a revolutionary development in the field of interactive playing equipment's.

Elephant, Rhino and Dromedary offer high flexibility for design playing areas and playgrounds. They could use also as seating for outdoor and indoor applications.

The pre-installed USB stick could be individually supplemented with private music or little stories.

Turn the tail of the animal and energy will be created.

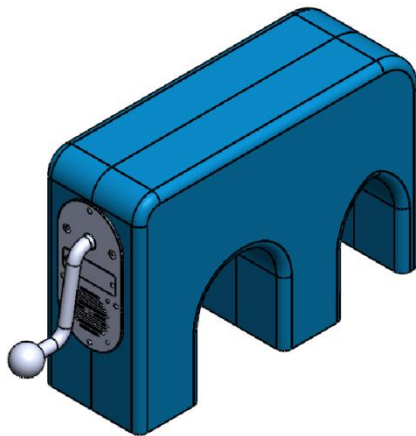
A random audio file will be selected; this can be animal sounds, an imaginary language, music whatever you like. The MP3-files are stored on an internal USB-drive and can be changed easily.

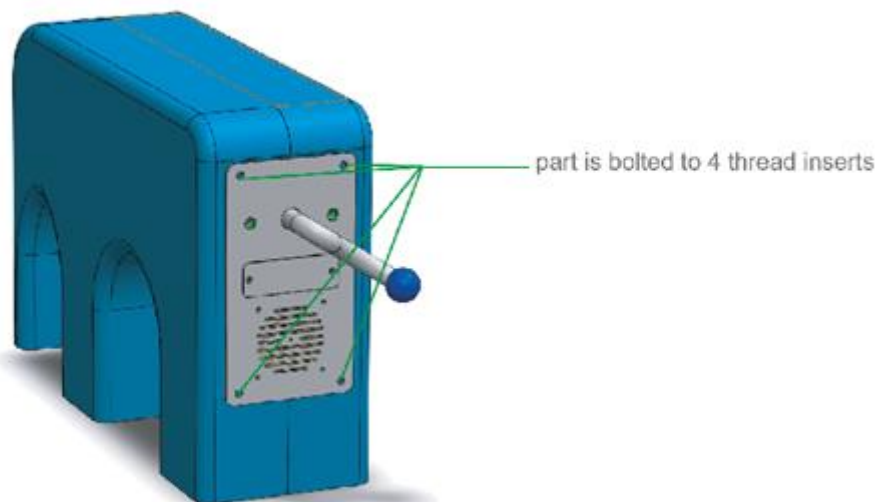
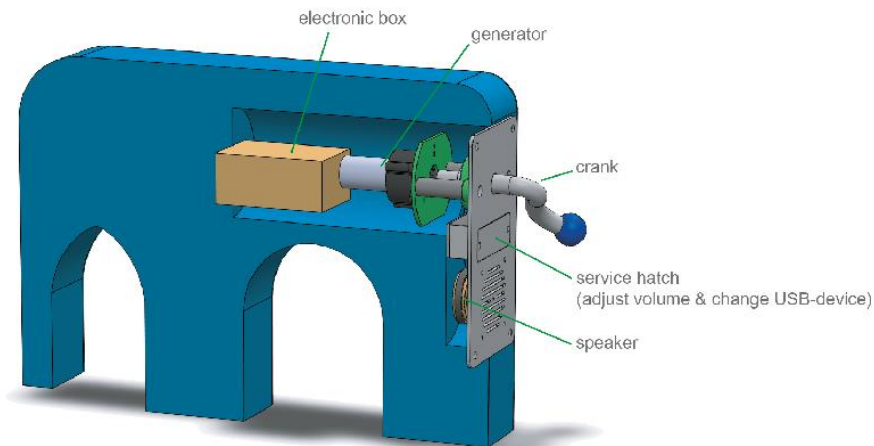
- Human powered
- No power supply needed
- Adjustable volume
- Digital audio quality
- USB MP3 for audio feedback inside

The energy works in the low voltage range and is absolute non-dangerous.

Insert or changing a battery is not applicable.

That playing equipment is absolute easy to maintain and can be installed indoor or outdoor.





## 2. Base material Animal

Rubber granulates: sub-construction: rubber recycling granulates high compacted  
Covering: EPDM rubber granulates high compacted

Binding Agent: MDI Polyurethane

## 3. Product Design

Elephant: bright red RAL 3017  
Rhino: blue RAL 5015  
Dromedary: bright yellow RAL 1012  
(minor colour variations and/or fading possible)

All information without guarantee, subject to change. The Data Sheet is not subject to any change service.  
Each current and valid from can be recalled at [www.kraiburg-relastec.com/euroflex](http://www.kraiburg-relastec.com/euroflex)

page 2 von 5

### 4. Basic dimension

Elephant:

Length x width x thickness: 560 x 190 x 395 mm, Weight: approx. 34,3 kg

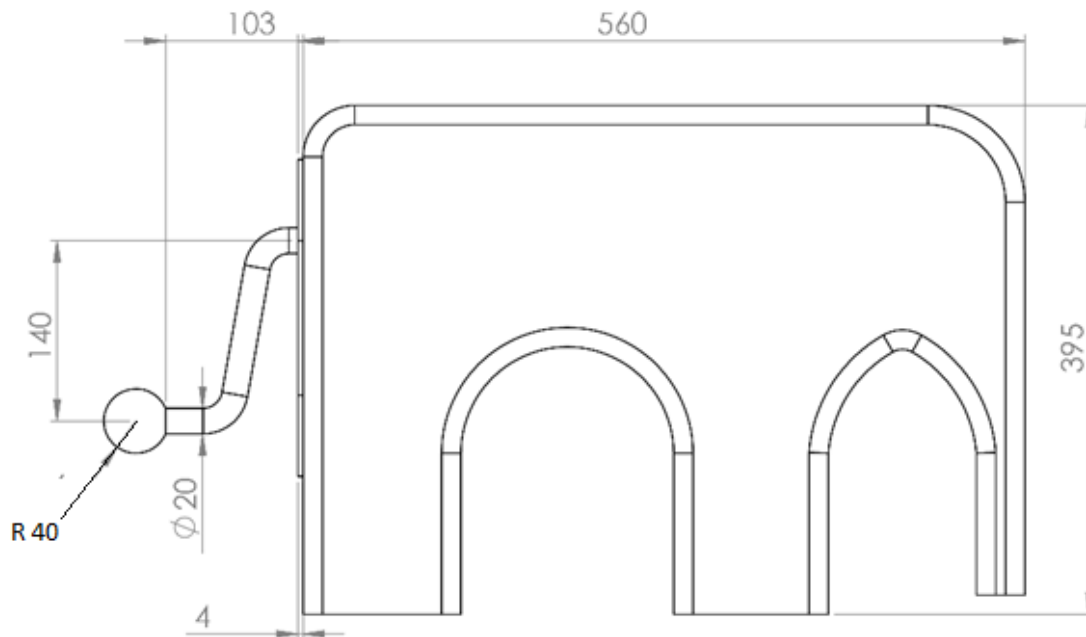
Rhino:

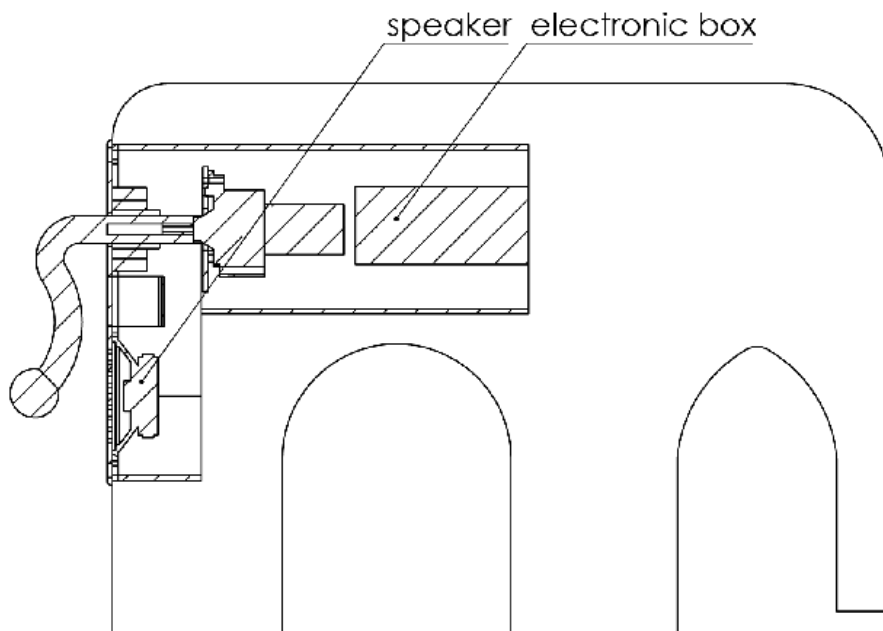
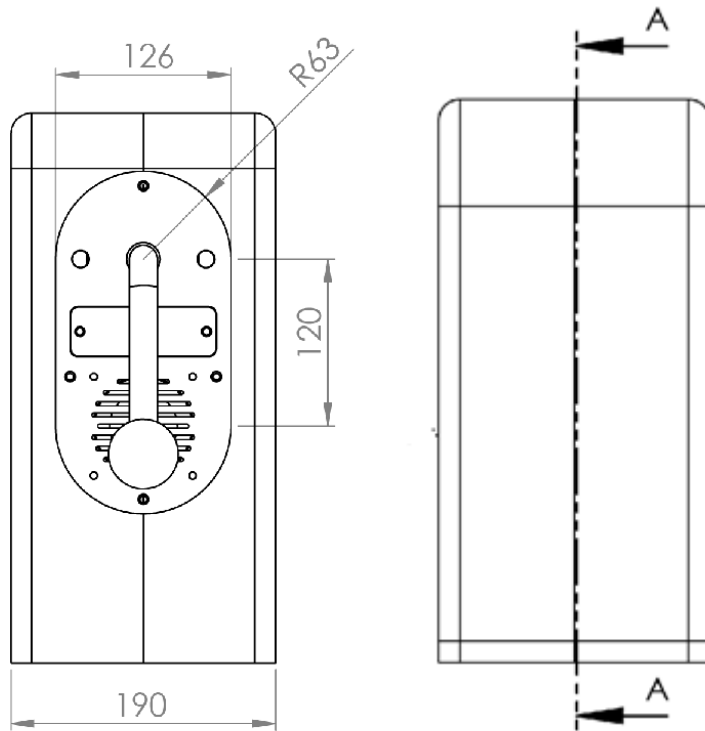
Length x width x thickness: 700 x 250 x 400 mm, Weight: approx. 34,3 kg

Dromedar:

Length x width x thickness: 580 x 200 x 470, Weight: approx. 36,3kg

Diameter Ground plate: 700 mm, Weight: approx. 21,0 kg





All information without guarantee, subject to change. The Data Sheet is not subject to any change service.  
Each current and valid from can be recalled at [www.kraiburg-relastec.com/euroflex](http://www.kraiburg-relastec.com/euroflex)

page 4 von 5

## 5. Test data

Certified in accordance with DIN EN 1176-1:2008, EN 1176-1:2008

EMC DIN EN 55014-1:2012

EMC DIN EN 55014-2:2016

Electrical safety

Production facility inspection

“Human Power Kit”

## Electricity

- Maximum voltage: **18 V**
- Maximum current: **0.5 A**
- Maximum power: **9 W**
- Power Rating speaker (RMS) **20 W**
- Output sensitivity speaker **85 dB**
- IP rating electronics **IP66** Waterproof in accordance with EN 60529 (VDE 0470)
- Store capacity **1 GB**