

1. Application

EUROFLEX® Talking Mushroom is a revolutionary development in the field of interactive playing equipment's.

Children learn playfully to generate energy themselves.

They could use also as seating for outdoor and indoor applications.

The pre-installed USB stick could be individually supplemented with private music or little stories.

With that the playing equipment combines movement with musical promotion and interactive playing fun on high technical and quality level.

By turning the cap of the mushroom power is generated and the mushroom will start playing a (random) audio file. Audio can be stored on an internal USB drive in MP3 format. The talking Mushroom can be used for music and/or stories. The administrator can change the audio when desired. Volume is adjustable.

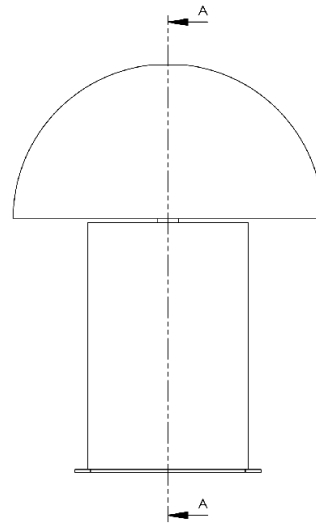
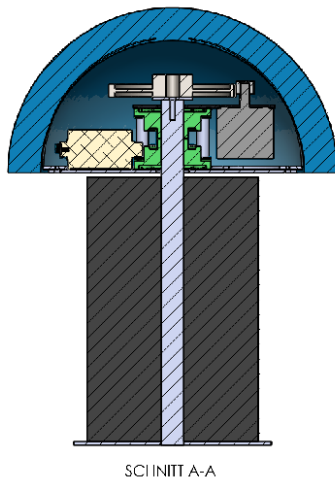
- Human powered
- No power supply needed
- Digital audio quality
- USB MP3 for audio feedback inside
- Time lock
- Adjustable volume

The energy works in the low voltage range and is absolute non-dangerous.

Insert or changing a battery is not applicable.

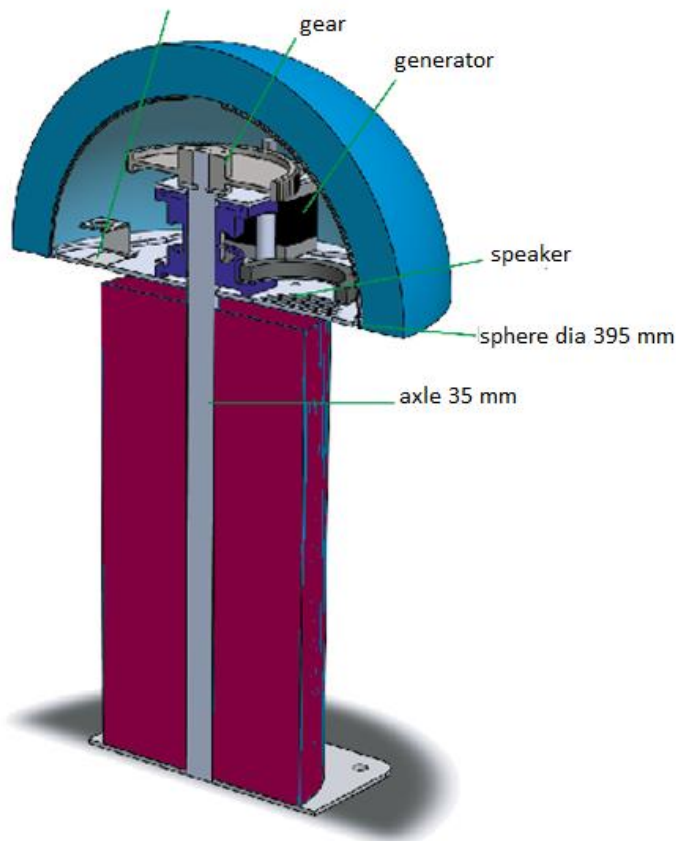
That playing equipment is absolute easy to maintain and can be installed indoor or outdoor.





Service hatch

(adjust volume & Change USB -device)



All information without guarantee, subject to change. The Data Sheet is not subject to any change service.
Each current and valid from can be recalled at www.kraiburg-relastec.com/euroflex

page 2 von 5

2. Base material Mushroom

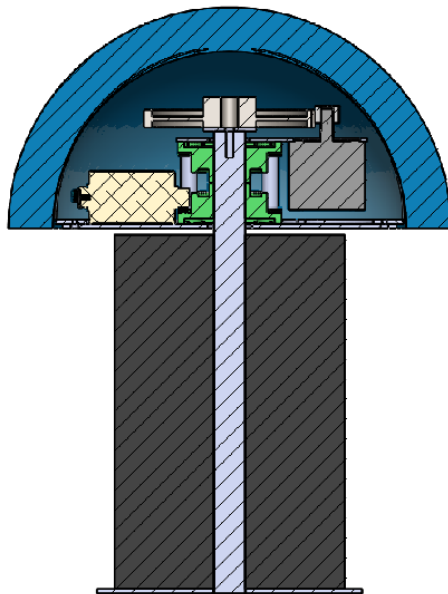
Covering:	EPDM rubber granulates
Binding Agent:	MDI Polyurethane
Steam:	
Rubber granulate:	rubber recycling granulate
Binding Agent:	MDI Polyurethane

Material: housing for speaker, Electric and movement: stainless steel

3. Product Design

Colour steam:	red
Colour cap:	EPDM RAL 5015 with spots RAL 1012
Sub construction:	smooth with open pores

(minor colour variations and/or fading possible)



SCHNITT A-A

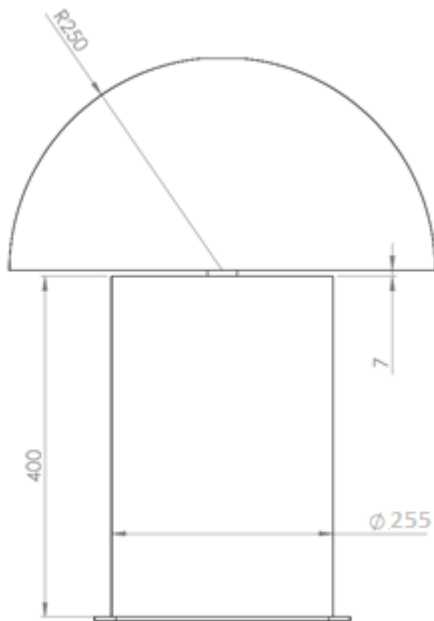
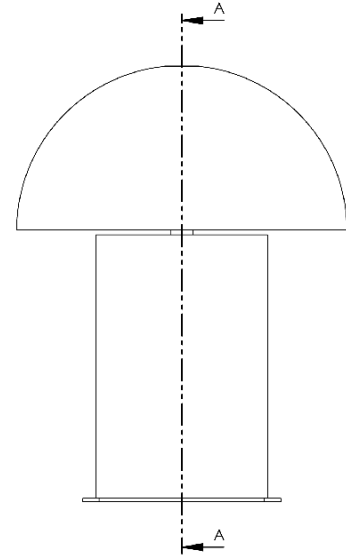
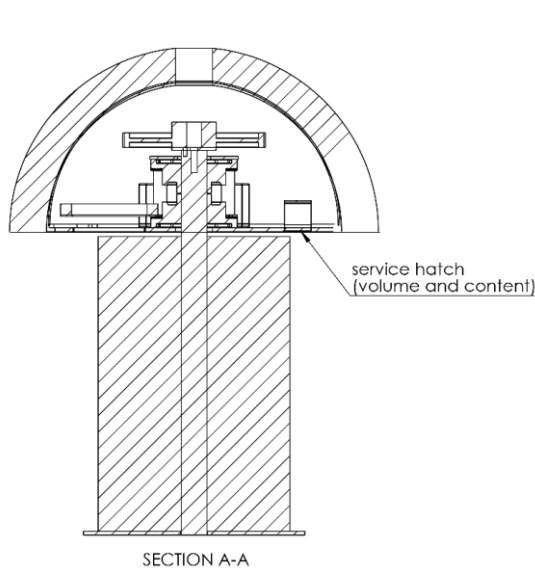
4. Dimension / Tolerances

Weight:	approx.. 60,5 kg
Diameter Steam:	255 mm
Height Steam:	40 mm

Tolerances: Length, Width: +/- 0,8%, Thickness/height: +/- 2mm

All information without guarantee, subject to change. The Data Sheet is not subject to any change service.
Each current and valid from can be recalled at www.kraiburg-relastec.com/euroflex

page 3 von 5



All information without guarantee, subject to change. The Data Sheet is not subject to any change service.
Each current and valid from can be recalled at www.kraiburg-relastec.com/euroflex

page 4 von 5

5. Test data

Certified in accordance with DIN EN 1176-1:2008, EN 1176-1:2008

EMC DIN EN 55014-1:2012

EMC DIN EN 55014-2:2016

Electrical safety

Production facility inspection

“Human Power Kit”

Electricity

- Maximum voltage: **18 V**
- Maximum current: **0.5 A**
- Maximum power: **9 W**
- Power Rating speaker (RMS) **20 W**
- Output sensitivity speaker **85 dB**
- IP rating electronics **IP66** Waterproof in accordance with EN 60529 (VDE 0470)
- Store capacity **1 GB**