

Storage of EUROFLEX® Products and adhesive cements

EUROFLEX® products should normally be stored in dry areas at constant temperature above 10°C. If stored below 10°C, store the slabs at the installation site temperature (> 10°C) for at least 2 hours before installation.

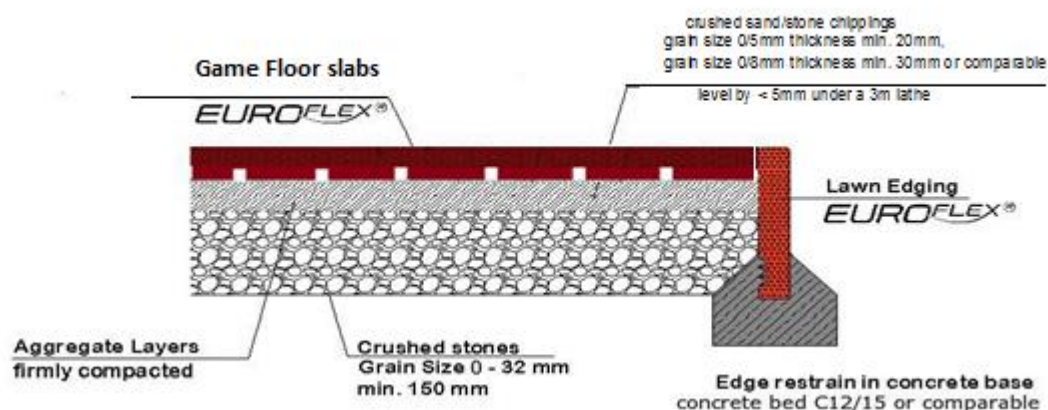
Important note: Adhesive cements must be stored at all times in dry locations above 0°C.

To avoid colour variations due to differences in sunlight exposure, leave the UV protection film on the products as supplied until just prior to installation.

Required Tools

- Steel straight edge (e.g. carpenters square 600 mm)
- Cutting knife, heavy duty, with replacement blades
- Tape measure or meter stick
- Felt-tip markers (water –soluble) or chalk, etc.
- Chalk line with refill chalk
- Application gun for dispensing adhesive cement
- Adhesive cement cartridges
- Sheet metal, plastic liner or cardboard sheet (approx. 2 L x 1,5 W of the slab dimensions)
- Hand saw, sabre saw or band saw (with blades for wood)
- Kneepads

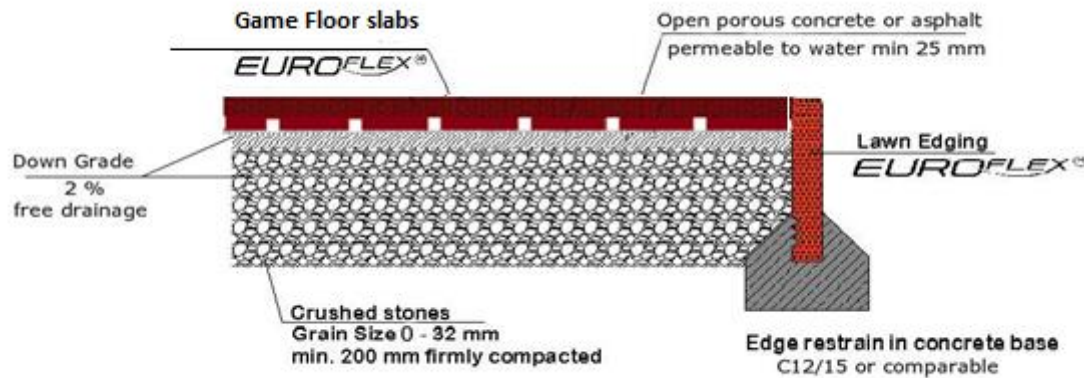
Preparation unbounded Subbase Outdoor



All information without guarantee, subject to change. The installation instruction is not subject to any change service. Each current and valid from can be recalled at www.kraiburg-relastec.com/euroflex/

Seite 1 von 8

Preparation bounded Subbase Outdoor



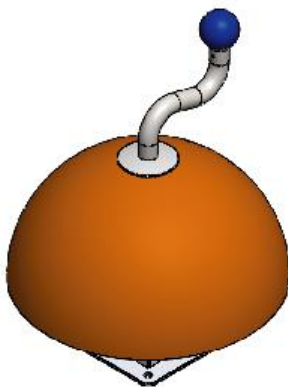
Subbase

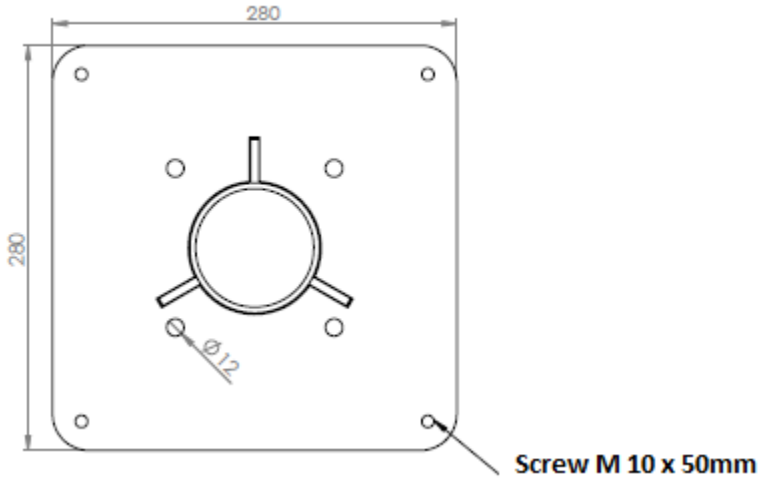
The basement is taken off till attended depth plus thickness of the slabs. Through acceptance inspection for the subgrade is recommended for installation the slabs.

The edge trim for the slabs should be flexible like the EUROFLEX® Lawn edging.

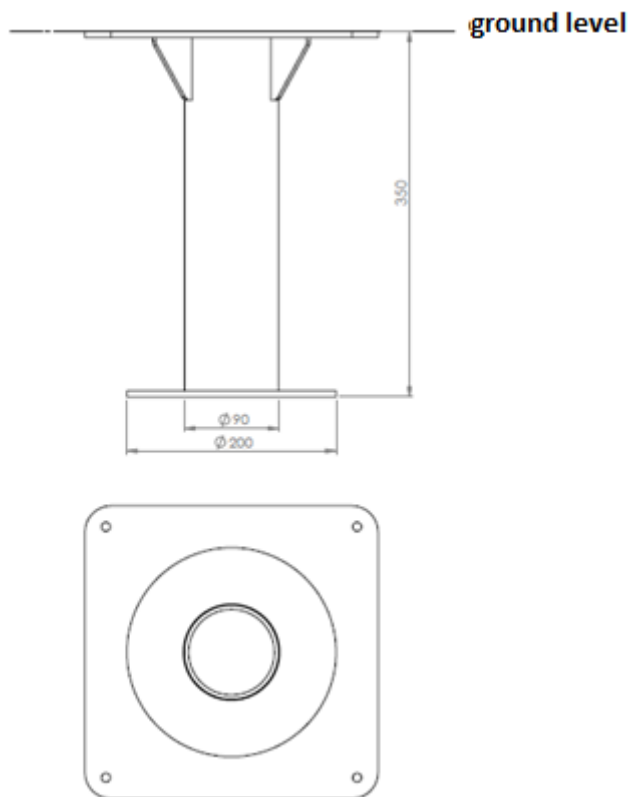
It is recommended first at all install the energy element in the area.

For bonded subbase like concrete or asphalt it could be easy done with screwing the metal plate to the subbase.



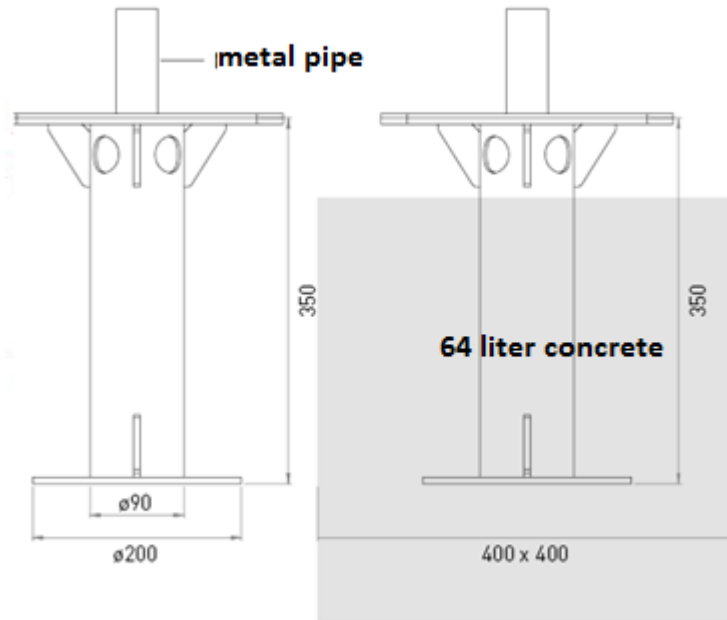


For unbounded subbase use the additional installation tool and insert them in a fresh concrete bed C 12/15. After curing process screw them together with the base plate.



All information without guarantee, subject to change. The installation instruction is not subject to any change service. Each current and valid from can be recalled at www.kraiburg-relastec.com/euroflex/

Seite 3 von 8

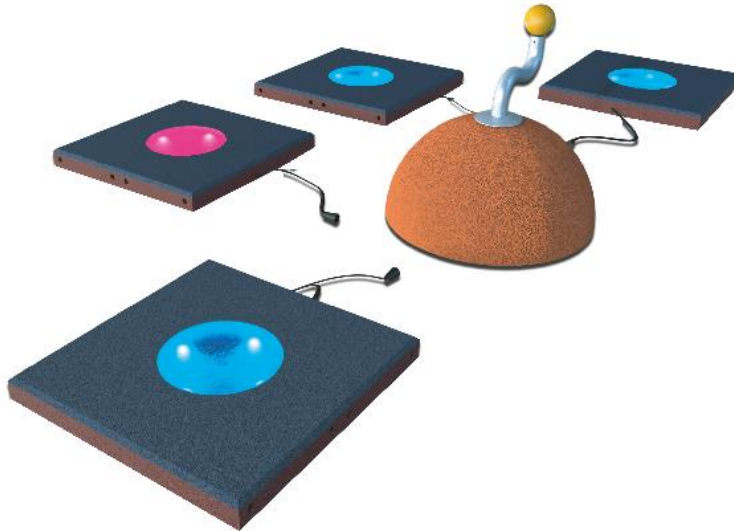


Integrate the slabs individually in the playing area (length cable 7m).



All information without guarantee, subject to change. The installation instruction is not subject to any change service. Each current and valid from can be recalled at www.kraiburg-relastec.com/euroflex/

Seite 4 von 8



The slabs should be well-positioned in the area and the connection to the energy element should be done.

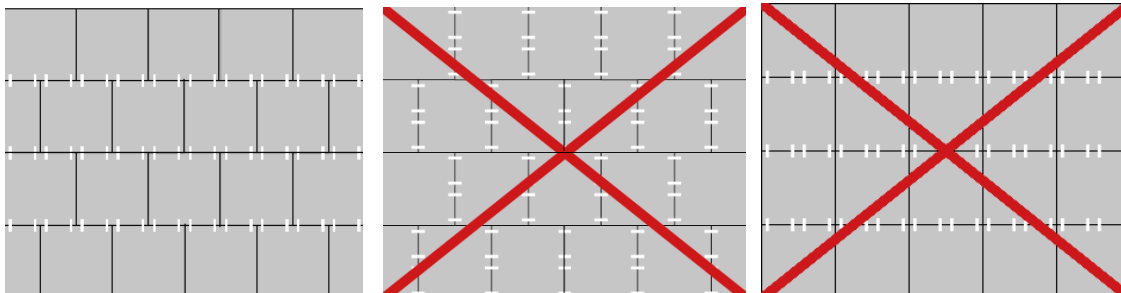


Install the first row of EUROFLEX® slabs by placing them precisely along the chalk line. Doing so will provide a uniform optical appearance across the entire surface. Start the second row (and every second row thereafter) with a half slab. Connect the slabs of the second row to the first by the integrated connector pins. The masonry-style configuration provides stability of the installed slabs. Cut the last slab in each row to the required size using a heavy-duty carpet knife or a sabre saw.

Correct: „T“-joints

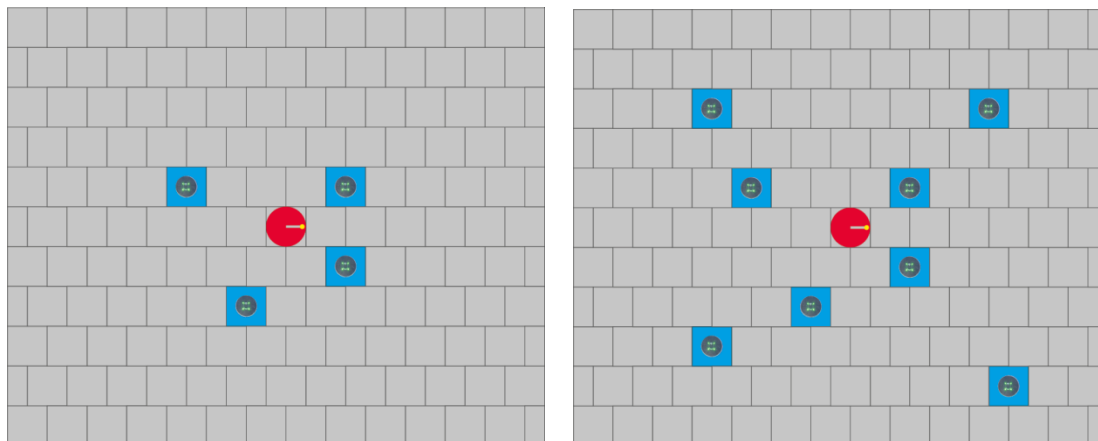
**Incorrect: „T“-joints
Installed in line**

Incorrect: cross joints



All information without guarantee, subject to change. The installation instruction is not subject to any change service. Each current and valid from can be recalled at www.kraiburg-relastec.com/euroflex/

Seite 5 von 8



Preparation subbase Indoor

The subbase for indoor installation should be even, flat and dry.

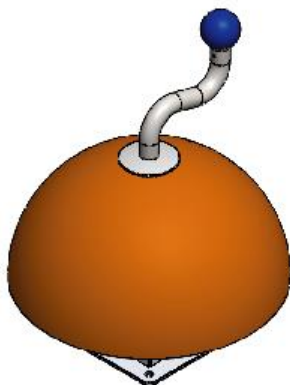
By installation on an already existing subbase should be checked the compatibility.

If the subbase material based on PVC migration of plasticizer are possible and unpleasant exhalations.

The area must have a stable bordering like the Euroflex® Edge and Corner Profile.

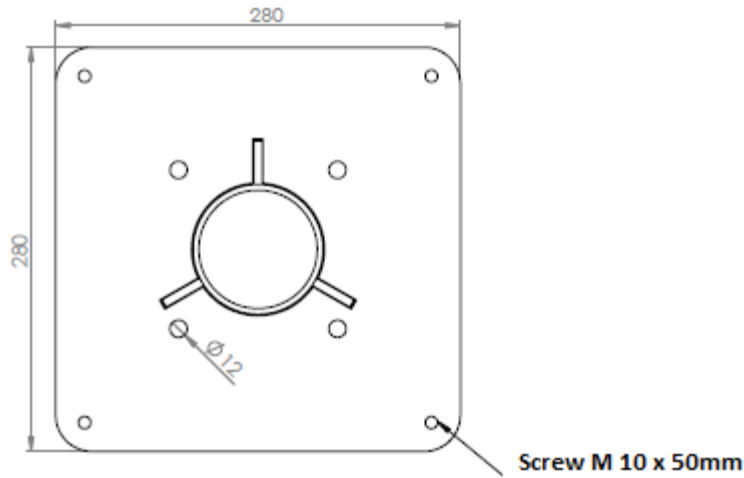
First at all install the energy element.

For bonded subbase like concrete or asphalt it could be easy done with screwing the metal plate to the subbase.



All information without guarantee, subject to change. The installation instruction is not subject to any change service. Each current and valid from can be recalled at www.kraiburg-relastec.com/euroflex/

Seite 6 von 8

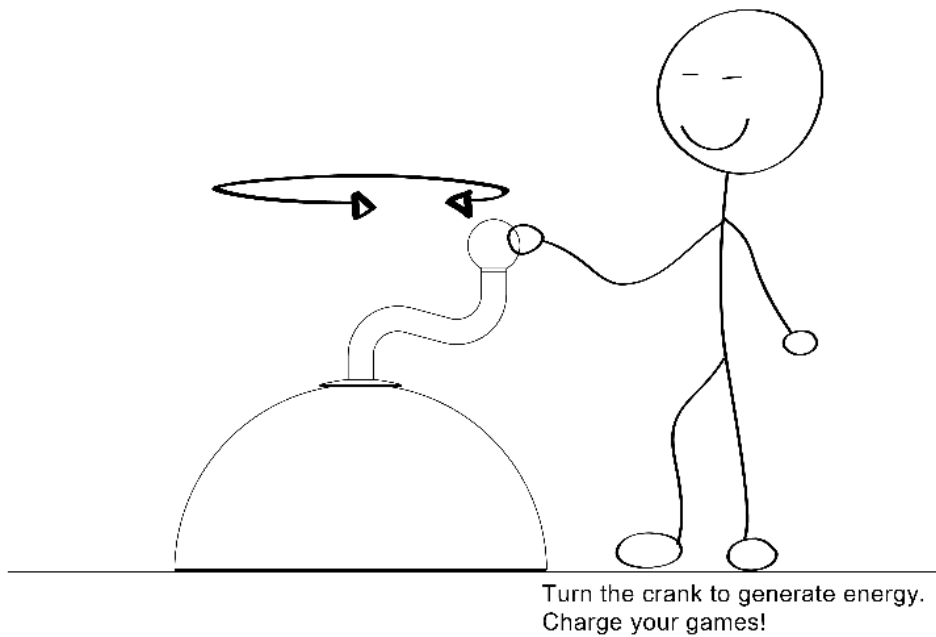


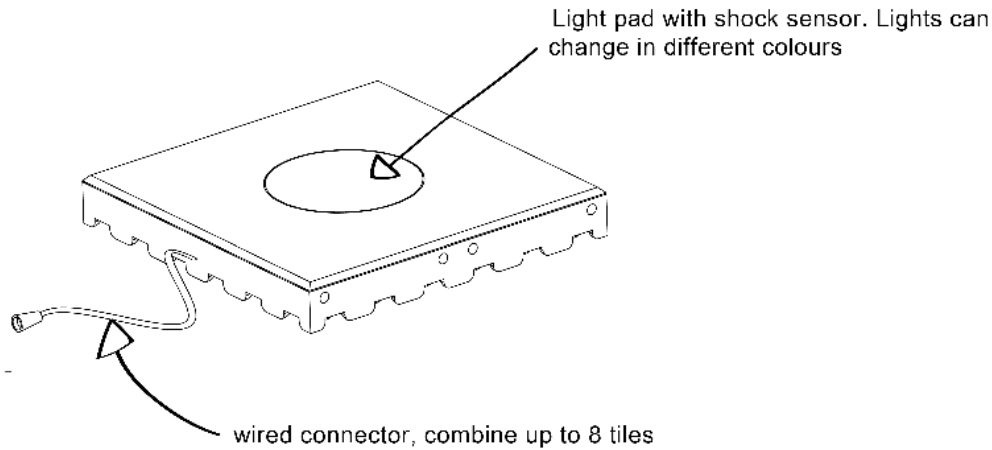
The installation of the slabs should be done in the same way like for the outdoor installation is recommended.

Operating Guidelines

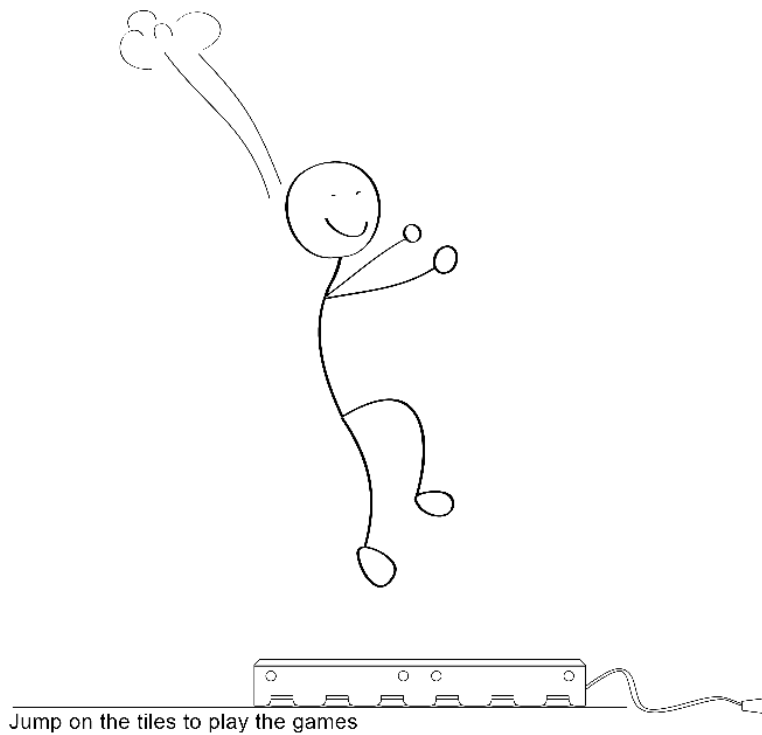
After installation the necessary energy will be generated with rotation. This based on independent rotation of the crank.

This energy will be transferred to the light elements of the slabs.





The electric charging happen in different steps showed with different sounds. After become silent the game activity could start.



Thereby it is necessary to jump promptly on the light element on the slabs. The speed of the game could be decided as a function how fast the player is jumping on the light elements.

All information without guarantee, subject to change. The installation instruction is not subject to any change service. Each current and valid from can be recalled at www.kraiburg-relastec.com/euroflex/

Seite 8 von 8