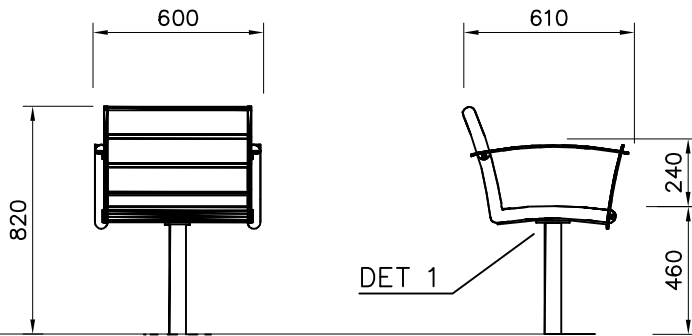
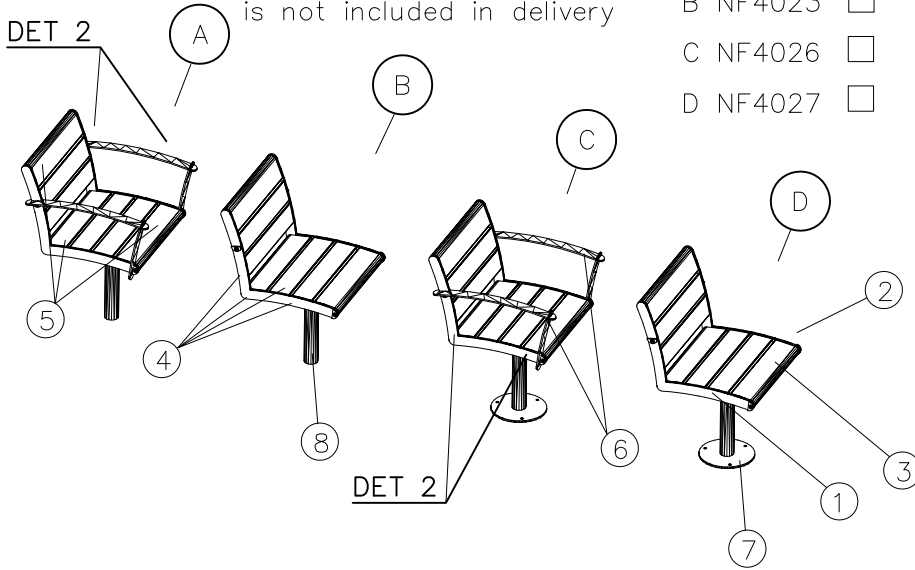


ATT! C & D need to be fixed into surface. Bolts etc is not included in delivery

- A NF4022
- B NF4023
- C NF4026
- D NF4027



DET 4

① N40001	PCS	② N40002	PCS
	1		1
RIGHT		LEFT	
③ Seat part	PCS	④ N40005	PCS
	1		4
		L: 500	
⑤ N40006	PCS	⑥ N40007/8	PCS
	3		1
L: 500		only A & C	
⑦ N40263	PCS	⑧ N40024	PCS
	1		1
3x hole \varnothing 11 mm		only A & B	
only C & D			
⑨ N01816	PCS	⑩ N03816	PCS
	4		4
M8x16		M8	
		⑪ N30612	PCS
			14
		M6	
⑫ N00191	PCS	⑬ N00192	PCS
	14		4
M6x25		M8x16	

