

12t



2



57m²



10,2x8x2,9m



~706 kg



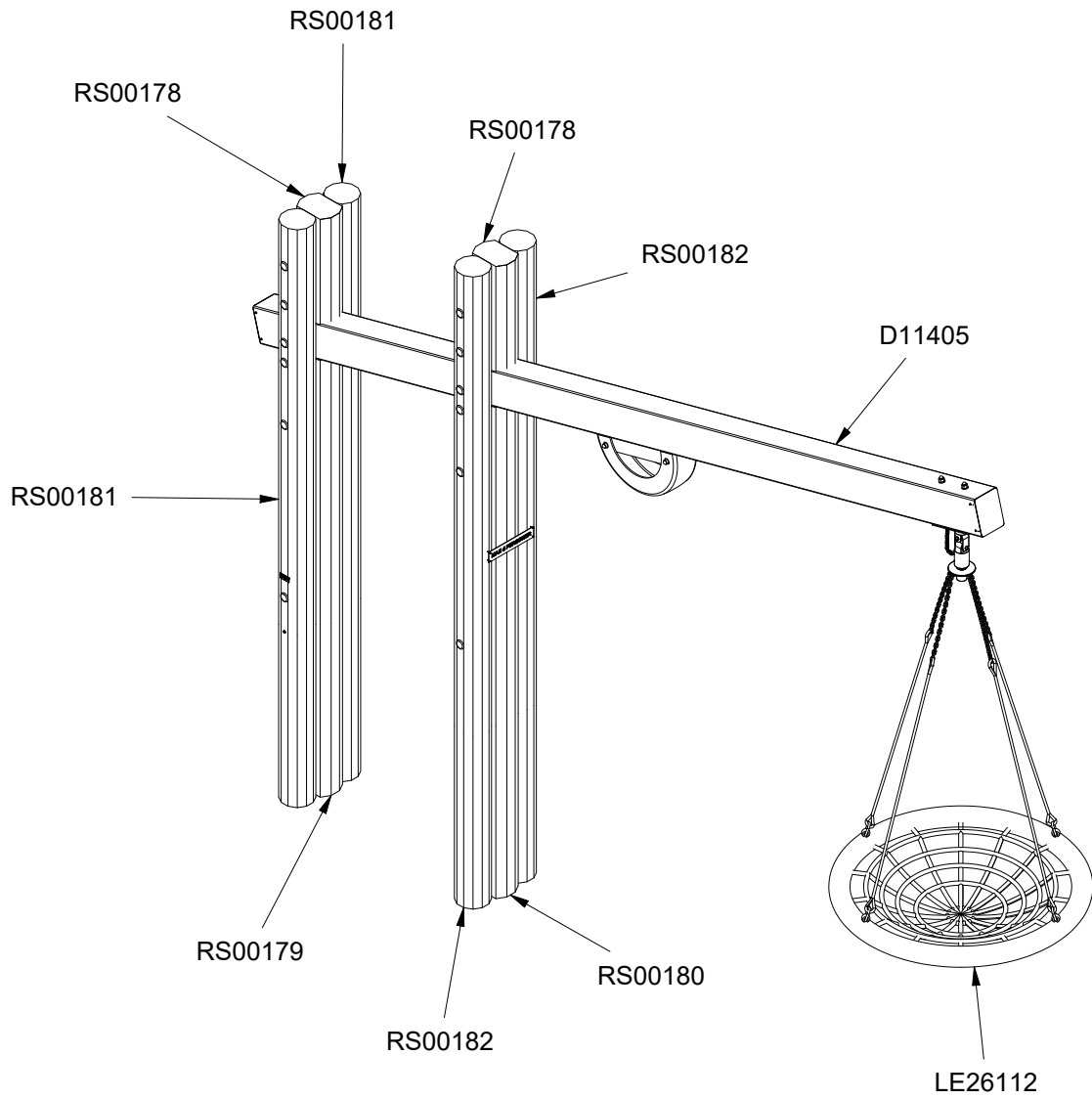
~4m³



15x20x500cm

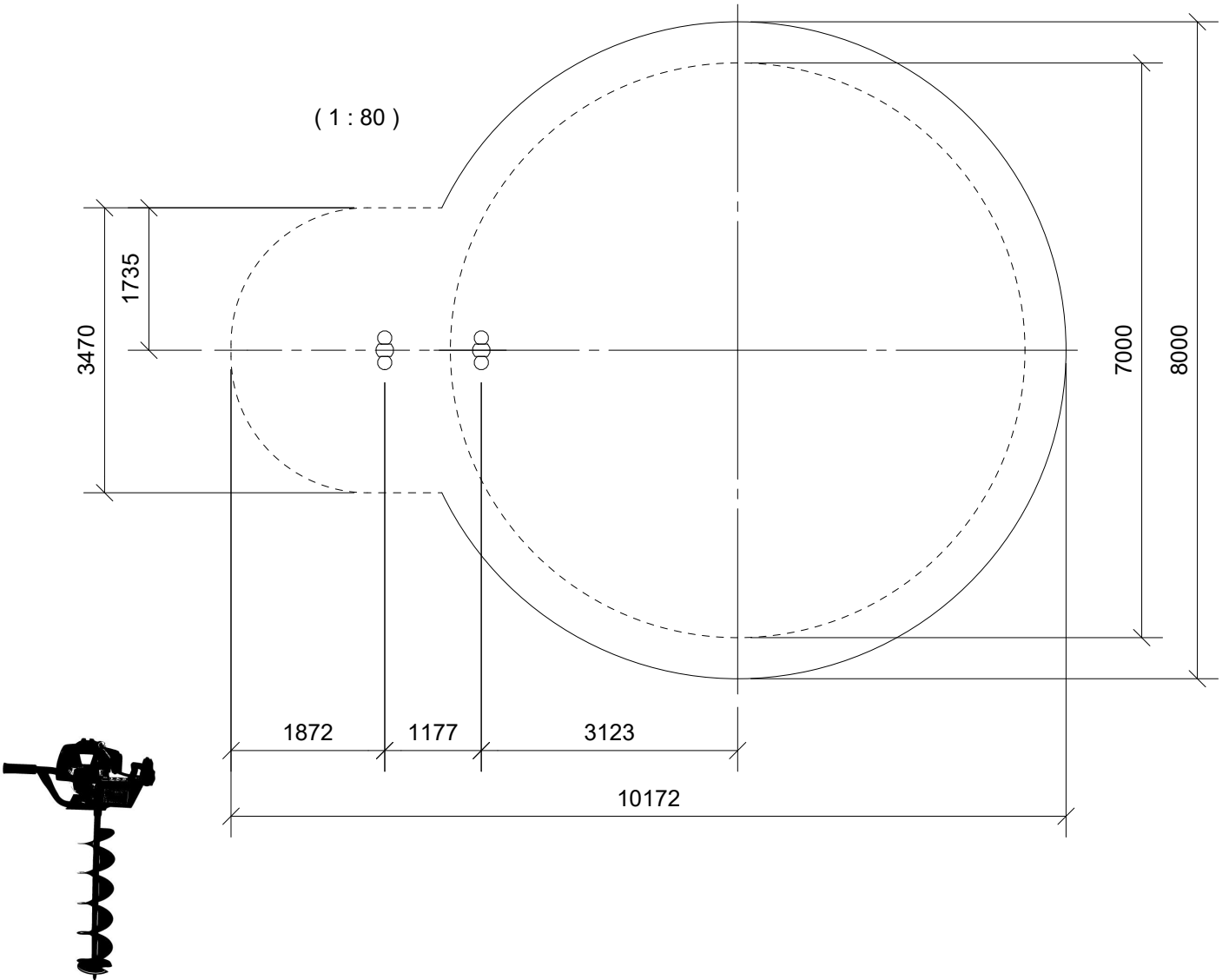
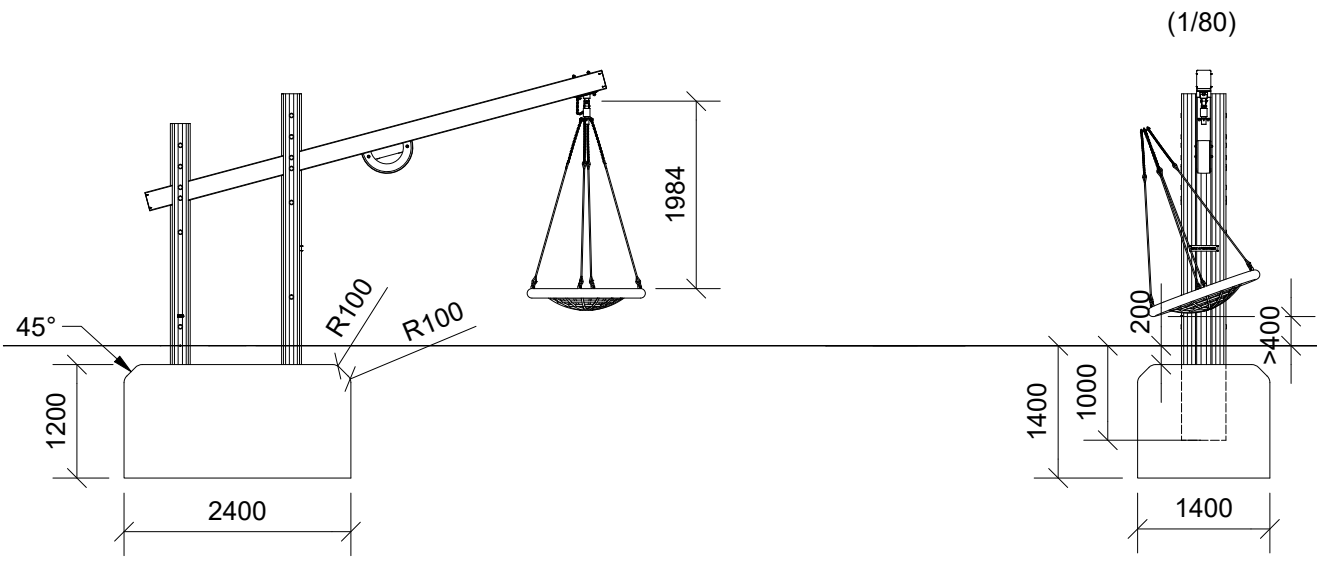


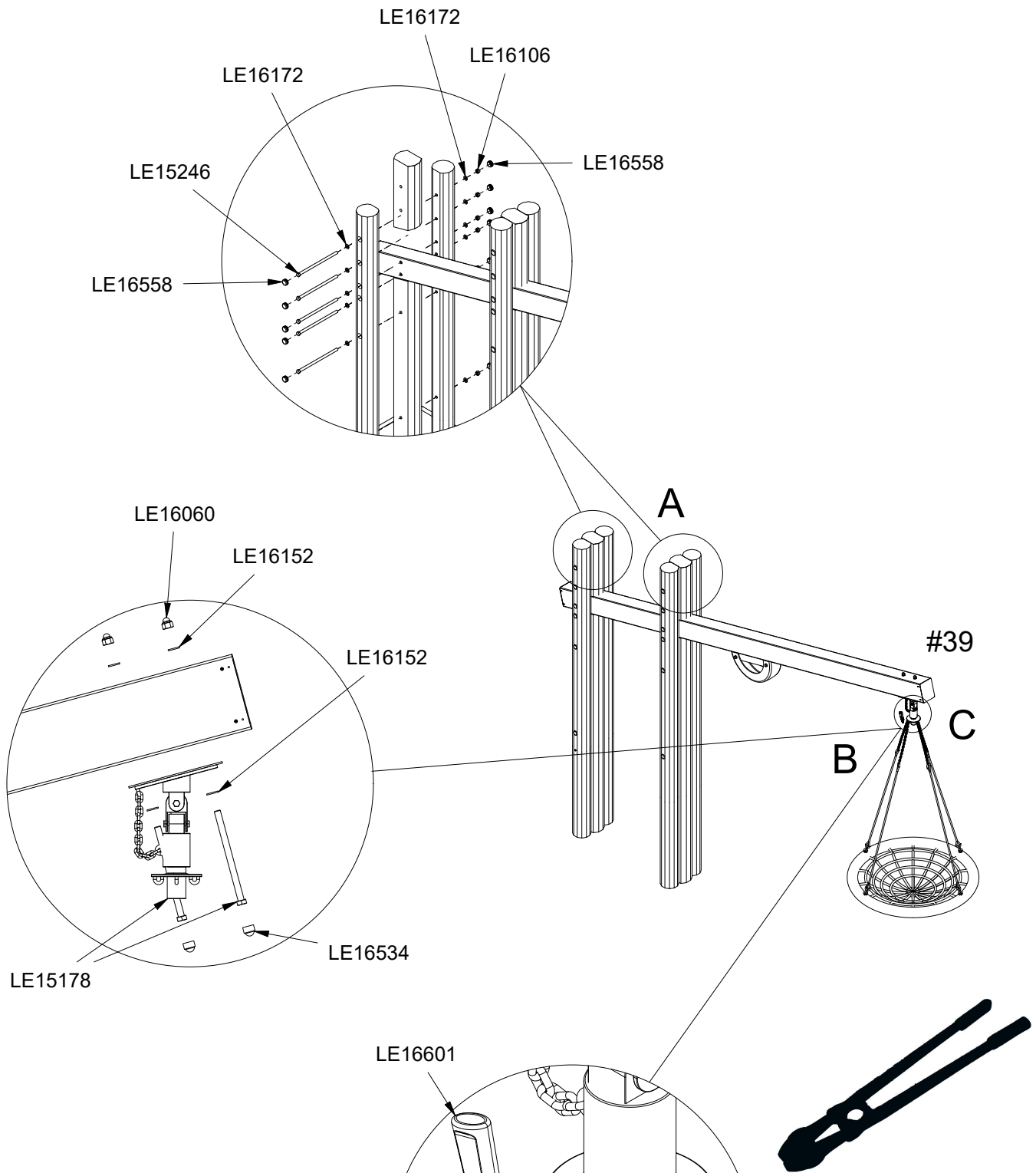
170kg



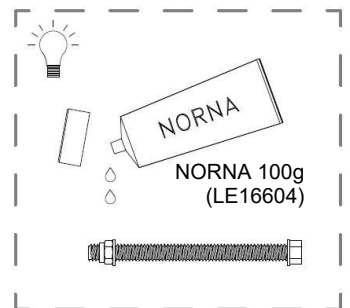
Parts List

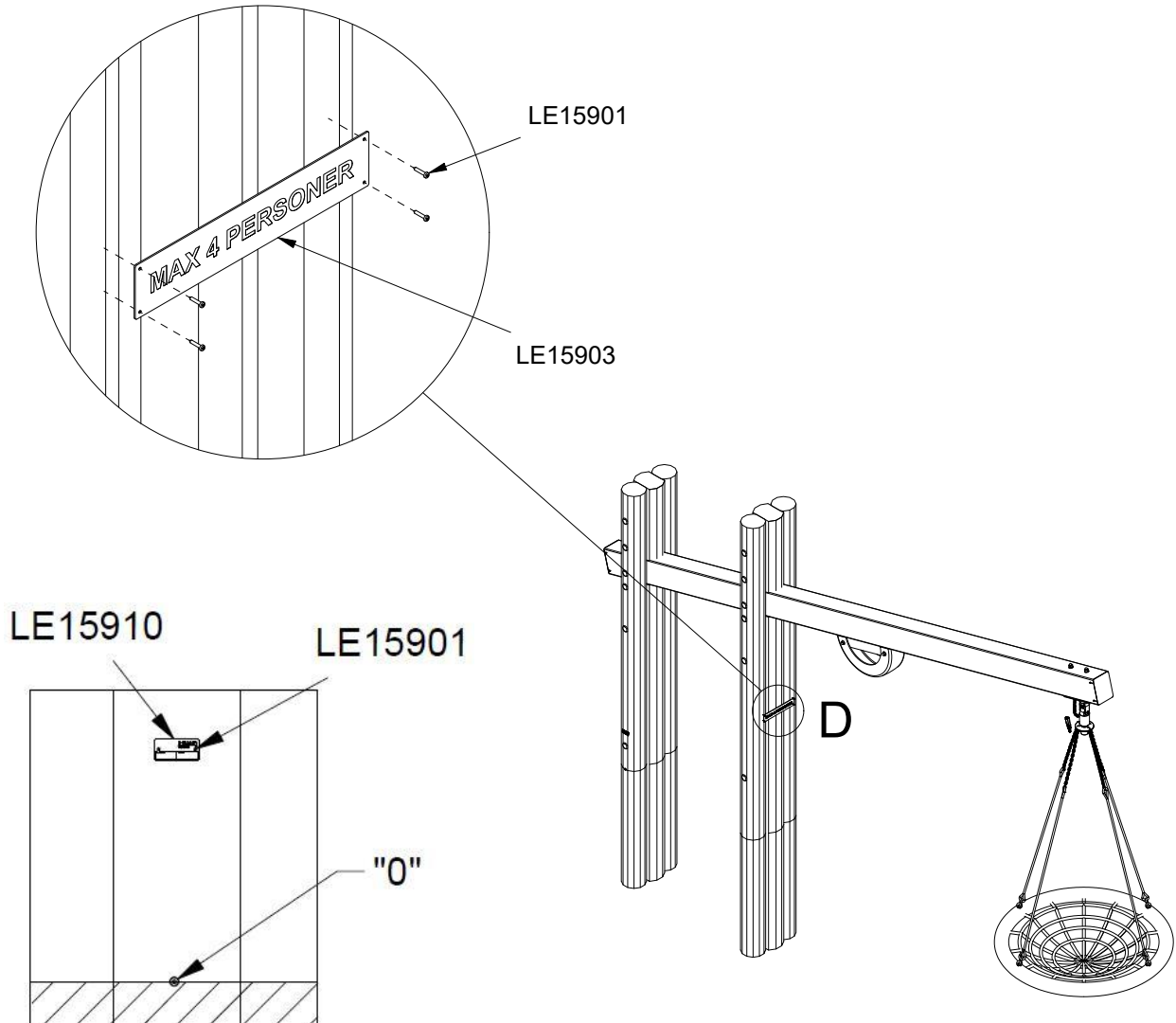
QTY	PART NO	DESCRIP.
1	D11405	Swing arm steel w. fittings
1	LE26112	Swing seat basket Ø1250mm
2	RS00178	Ø200/220-658mm
1	RS00179	Ø200/220-2540mm
1	RS00180	Ø200/220-2855mm
2	RS00181	Ø160/180-3350mm
2	RS00182	Ø160/180-3665mm





Parts List		
QTY	PART NO	DESCRIP.
1	LE15178	Swing joint incl. 2x M16x240
2	LE16060	M16 cap nut
4	LE16152	M16 - Ø30 mm
2	LE16534	M16 cap nut
12	LE15246	M20x430mm
12	LE16106	M20, nut
24	LE16172	M20 - Ø37 mm
24	LE16558	Ø48/44,5mm
1	LE16601	Loctite 5ml (Glue)





Parts List		
QTY	PART NO	DESCRIP.
1	LE15910	Name tag
1	LE15903	Max 4 pers. tag
6	LE15901	3x16, PH