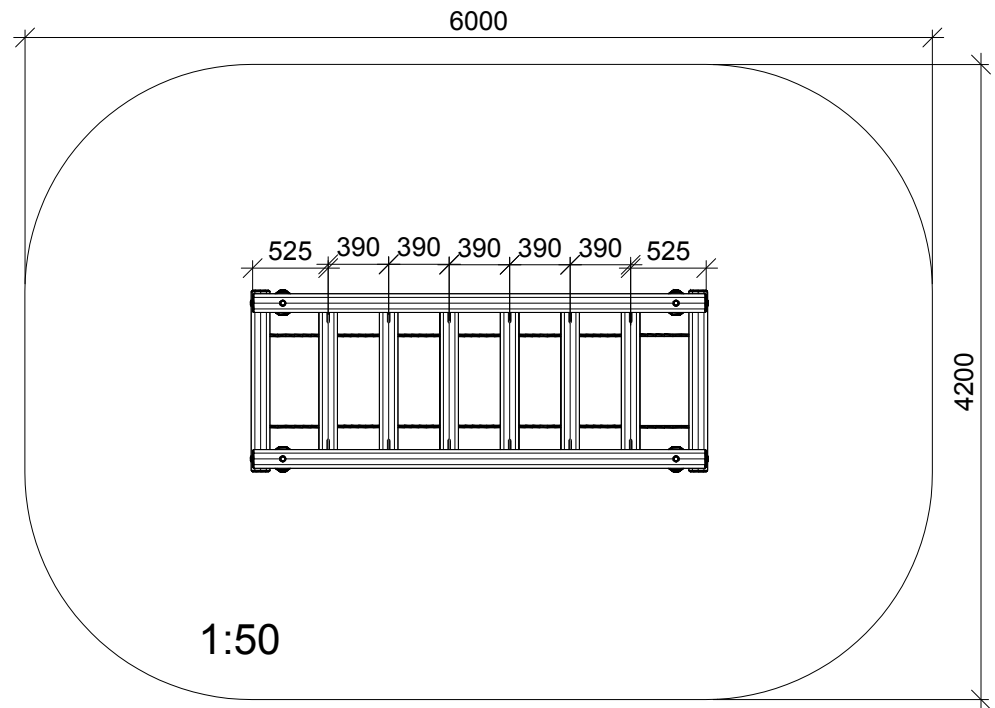
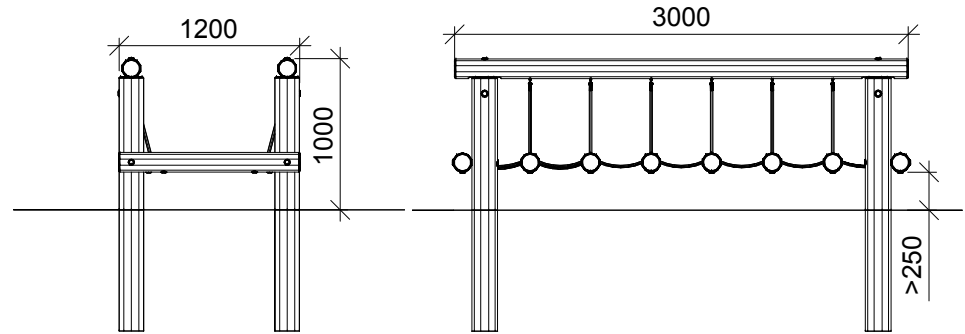
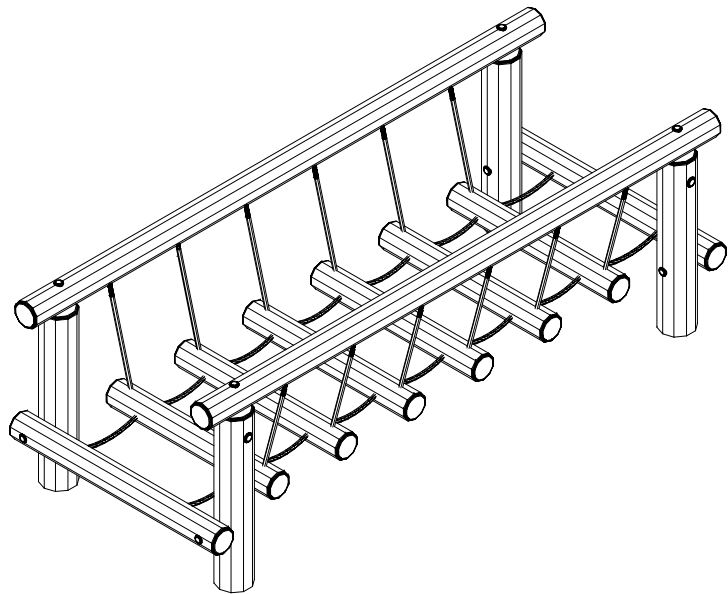


NORLEG	
Robinia bjælkebro	
LE 20500	
28.10.2009	REV. 25.09.2017

< 60cm



≥ EN 1176



This drawing is the property of NORLEG and pursuant to current legislation may not be copied, transferred to or used by any third party. Should this drawing be used, a fee of 10% of the assumed contract price will be charged.

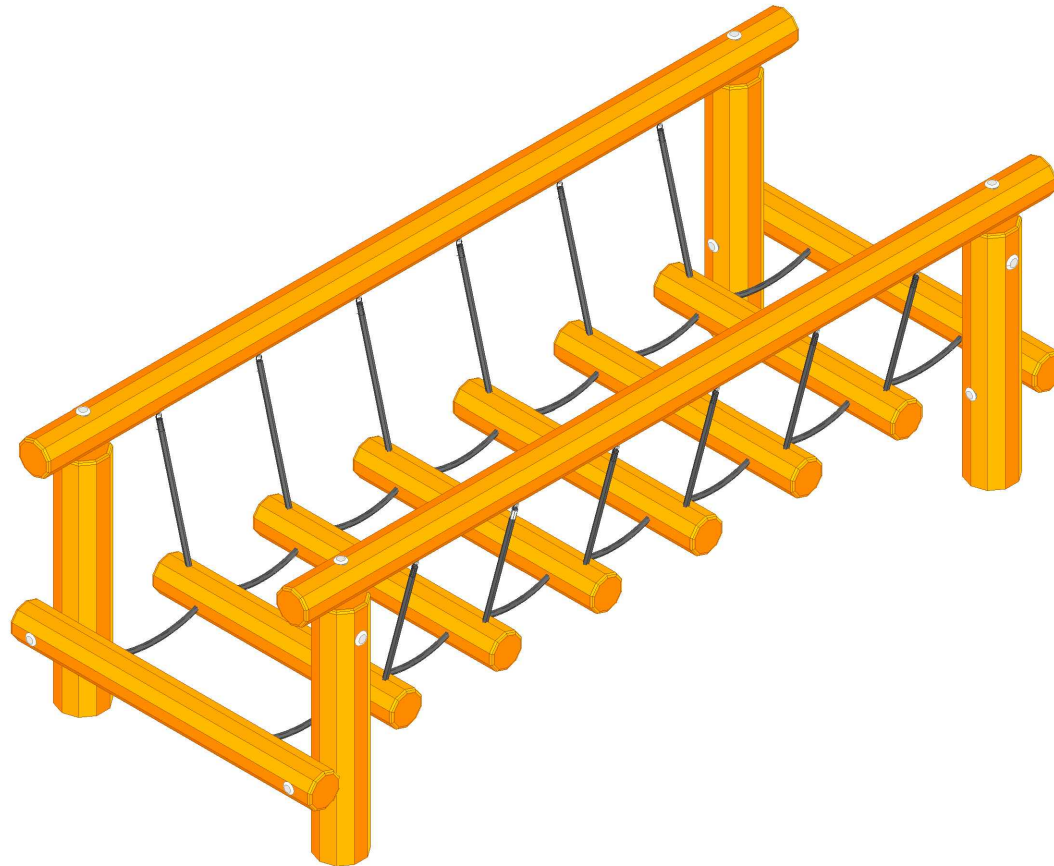
NORLEG - 3D

Robinia bjælkebro

LE 20500

28.10.2009

REV. -



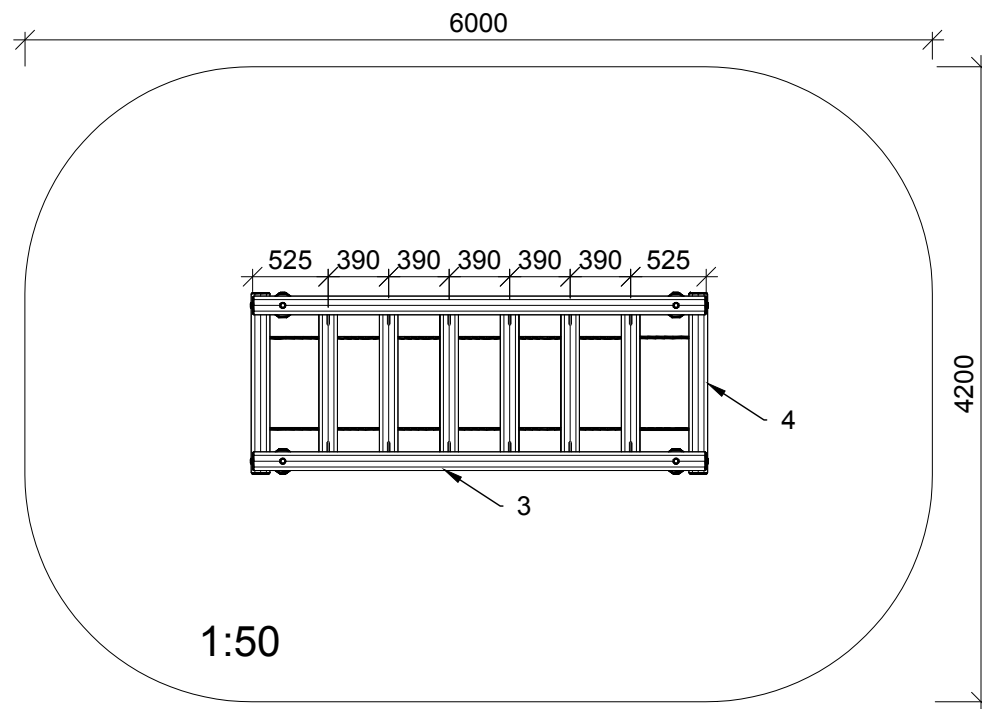
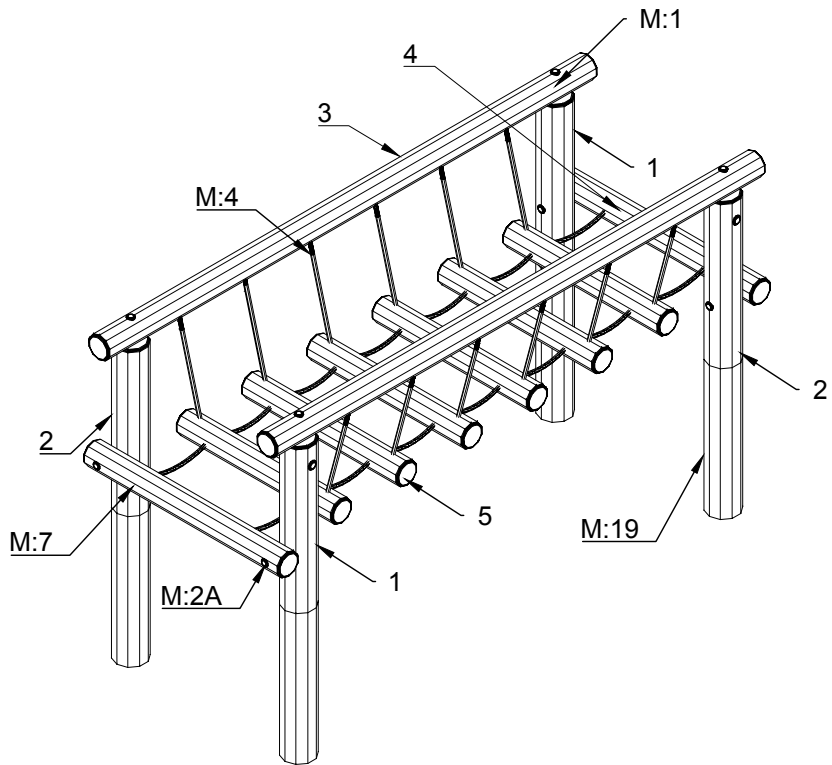
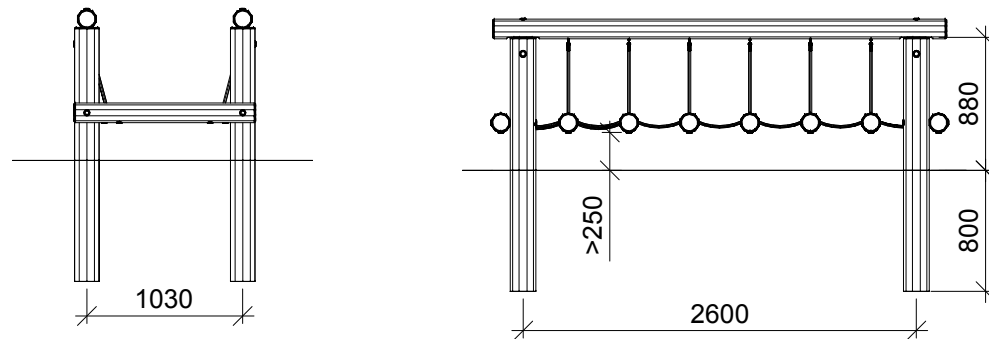
NORLEG - Mont.	
Robinia bjælkebro	
LE 20500	
28.10.2009	REV. -

< 60 cm

≥ EN 1176

Mont.p. nr.

- 1
- 2A
- 4
- 7
- 19



This drawing is the property of NORLEG and pursuant to current legislation may not be copied, transferred to or used by any third party. Should this drawing be used, a fee of 10% of the assumed contract price will be charged.

1:50