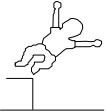
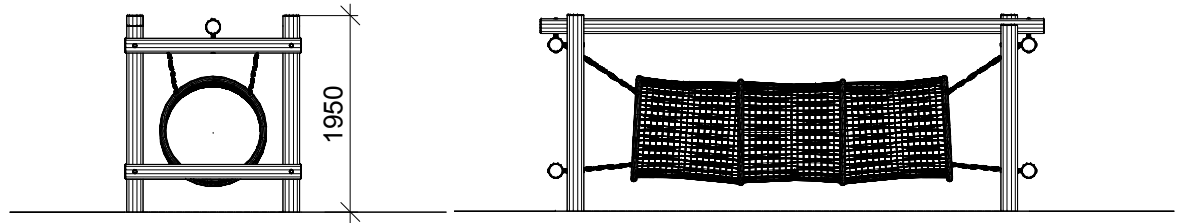
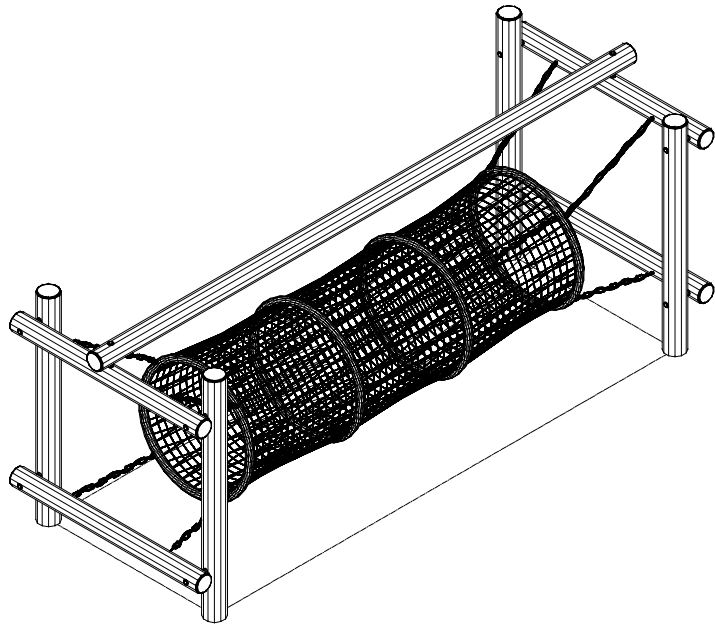


NORLEG	
Nettunnellen	
LE 20936	
26.01.2005	REV. 17.08.2015

< 1950

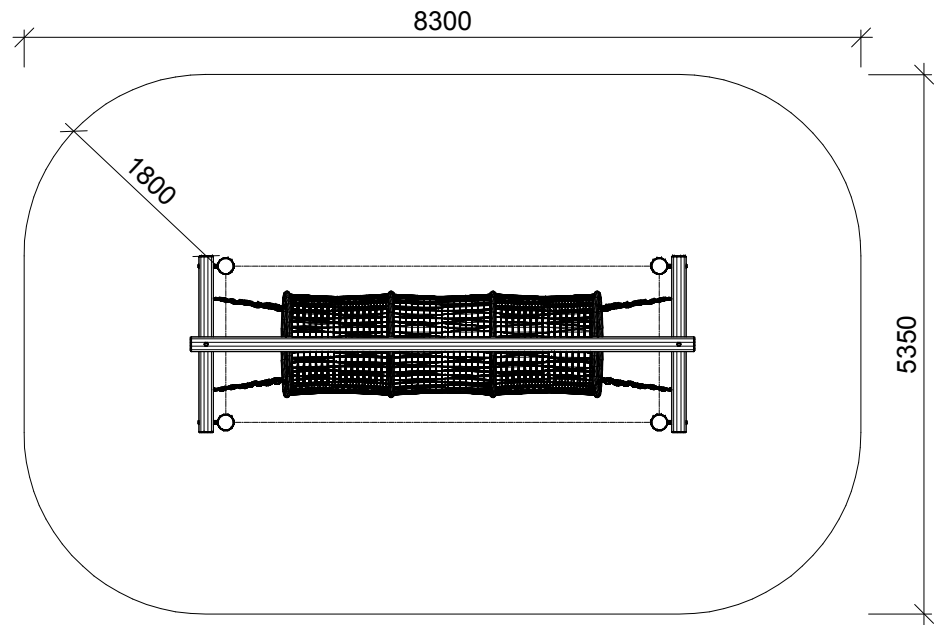


≥ EN 1176



1:75

1:75



1:75

This drawing is the property of NORLEG and pursuant to current legislation may not be copied, transferred to or used by any third party. Should this drawing be used, a fee of 10% of the assumed contract price will be charged.

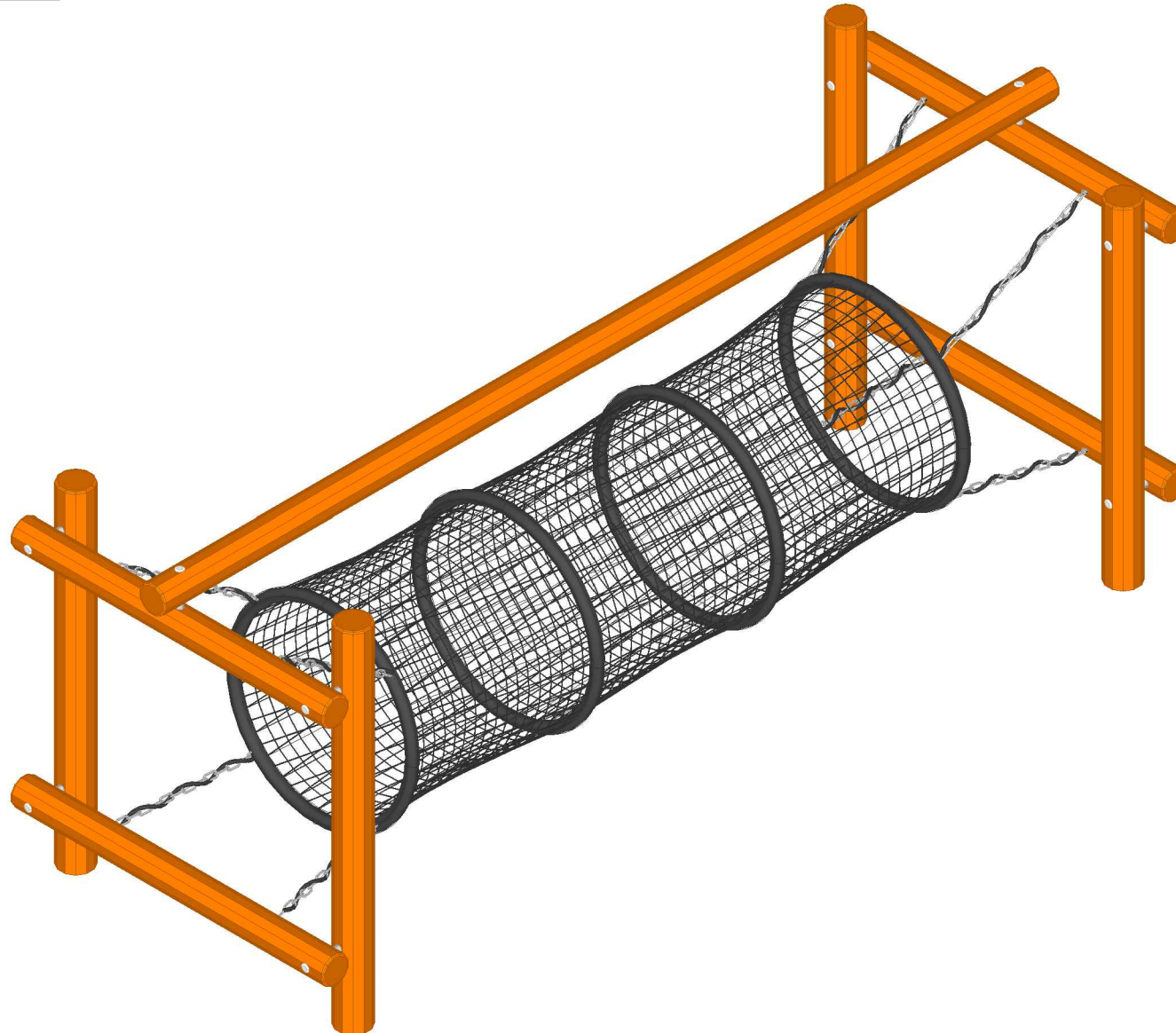
NORLEG - 3D

Nettunnellen

LE 20936

26.01.2005


REV. 17.08.2015



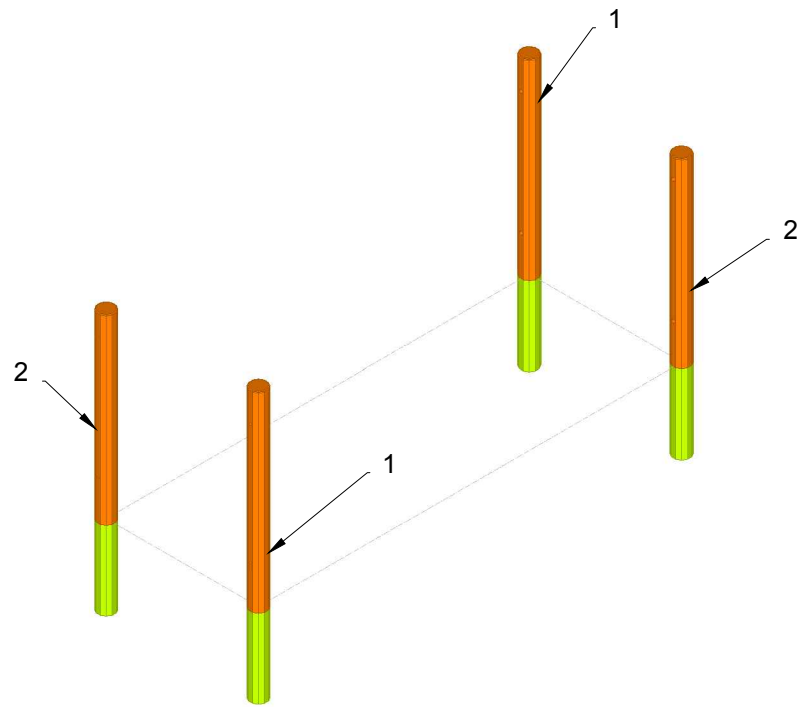
This drawing is the property of NORLEG and pursuant to current legislation may not be copied, transferred to or used by any third party. Should this drawing be used, a fee of 10% of the assumed contract price will be charged.

NORLEG - Mont.	
Nettunnelen	
LE 20936	
26.01.2005	REV. 17.08.2015

< 1950




≥ EN 1176



1:50

NORLEG - Mont.	
Nettunnellen	
LE 20936	
26.01.2005	REV. 17.08.2015

< 1950



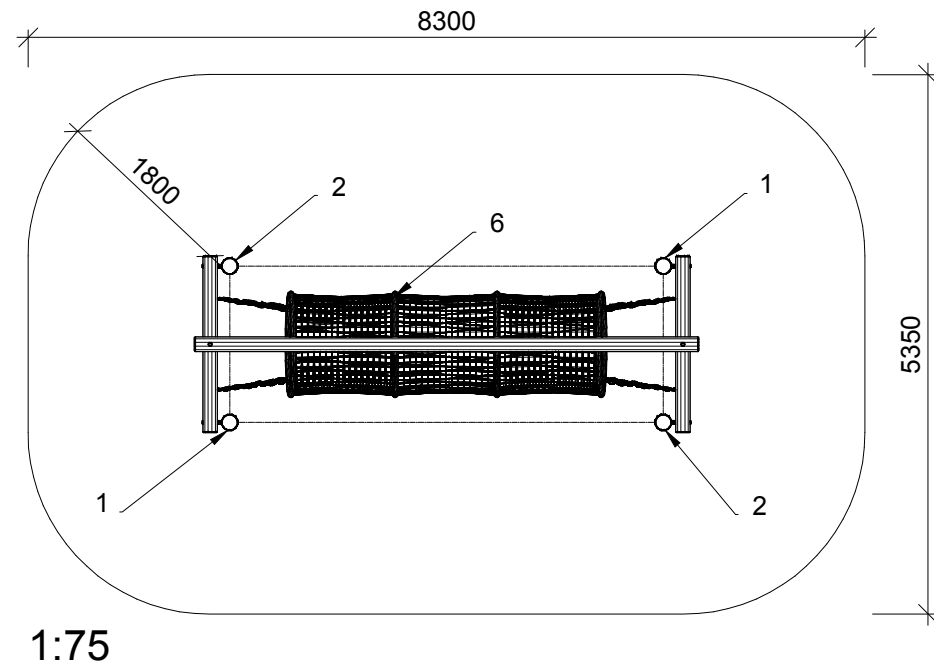
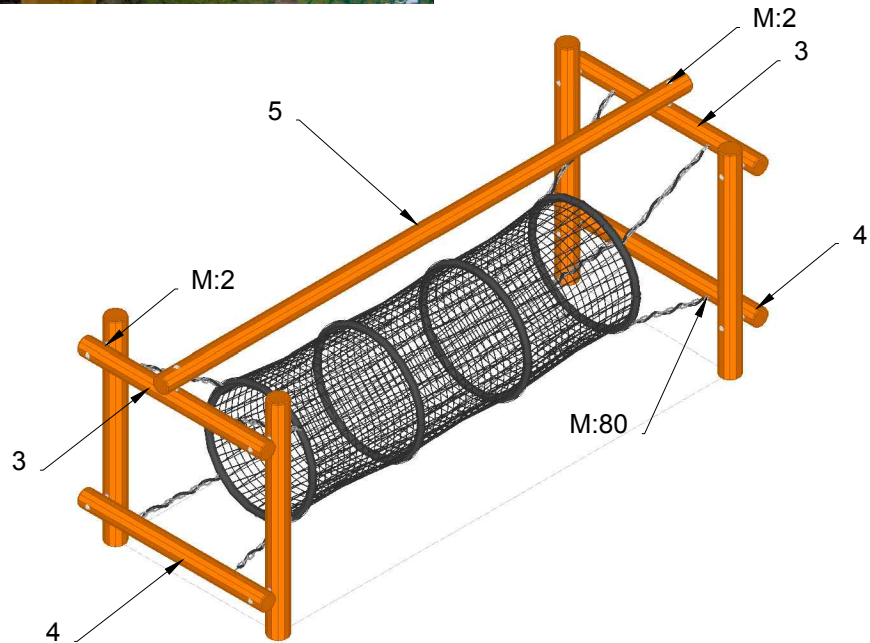
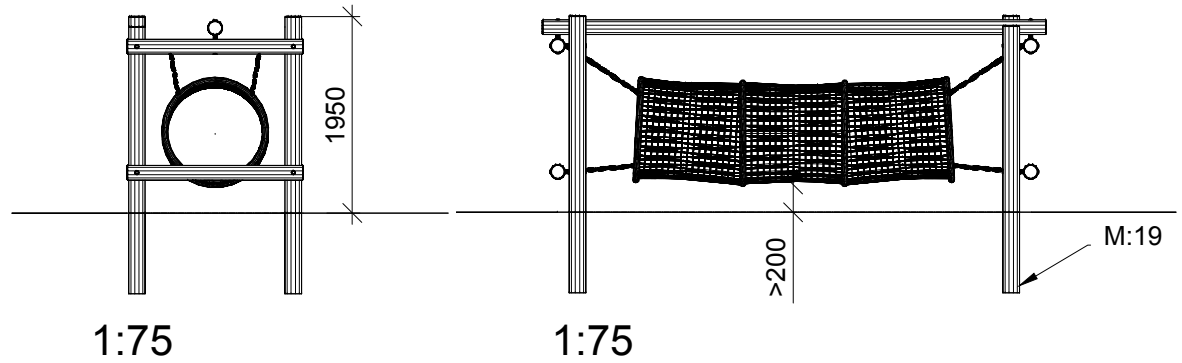
≥ EN 1176

Mont.p. nr.

2
19
80



Parts list		
Mrk.	QTY	Part.no
1	2	160-180-2750-z
2	2	160-180-2650-z
3	2	140-160-1750-z
4	2	140-160-1750-z
5	1	140-160-5000-z
6	1	LE 26064



This drawing is the property of NORLEG and pursuant to current legislation may not be copied, transferred to or used by any third party. Should this drawing be used, a fee of 10% of the assumed contract price will be charged.