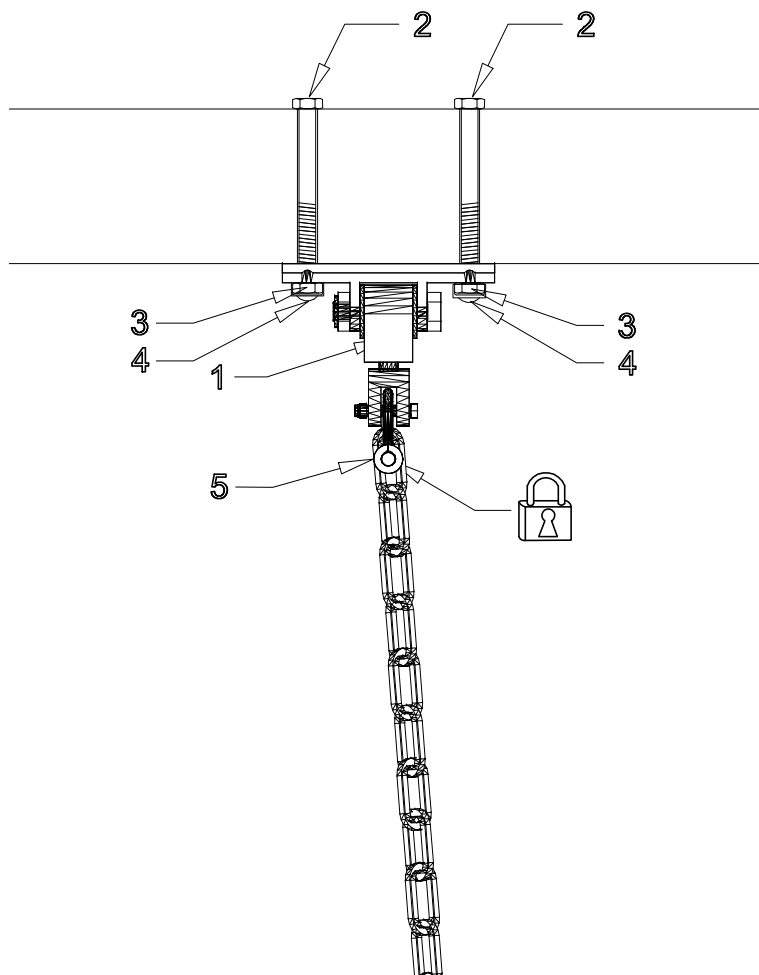


<b>NORLEG</b>	
Mont.p. nr. 43	
LE -	
28.09.2007	REV. G: 20.02.2015



Parts list		
POS	PARTS NO	NAME/DIMENSION
1	LE 40102	Swing joint
2	LE 16216	M10x120 A2 DIN933
3	LE 16104	M10 A2 DIN985
4	LE 16530	M10 Black cap
5	LE 13100	19 mm AISI316

This drawing is the property of NORLEG and pursuant to current legislation may not be copied, transferred to or used by any third party. Should this drawing be used, a fee of 10% of the assumed contract price will be charged.