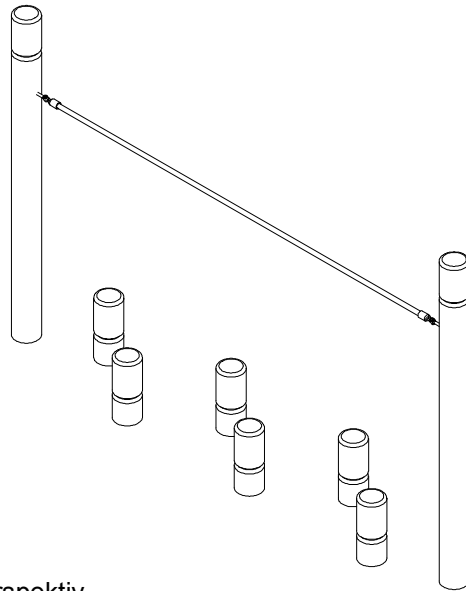
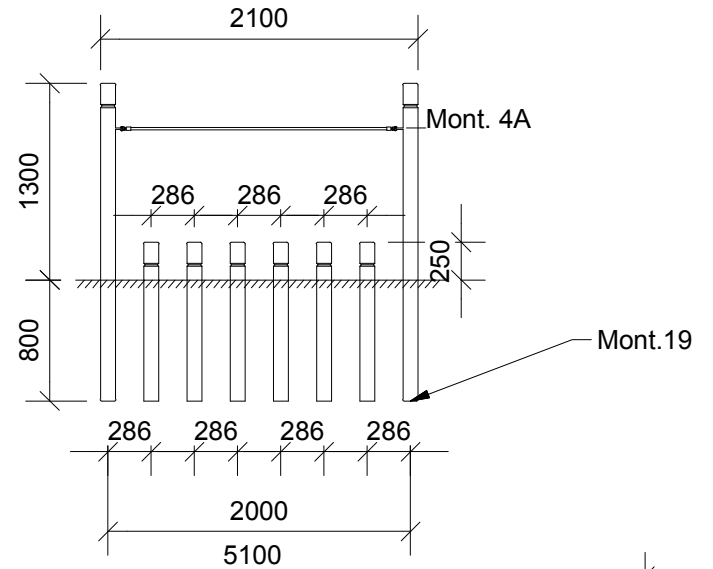


Stolper:  
-Robinia Ø100 mm.

Tov:  
-Taifuntov 16 mm.



Front



Plan

