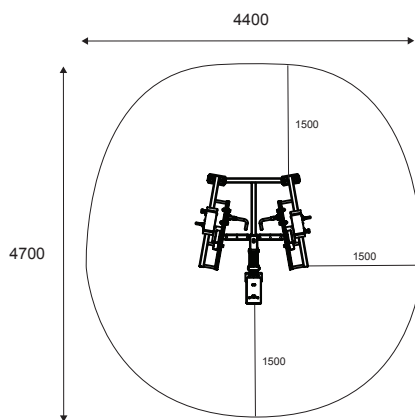
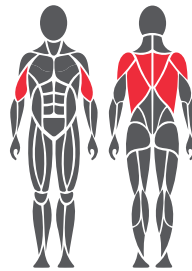


## Use and movement areas



## Target muscles



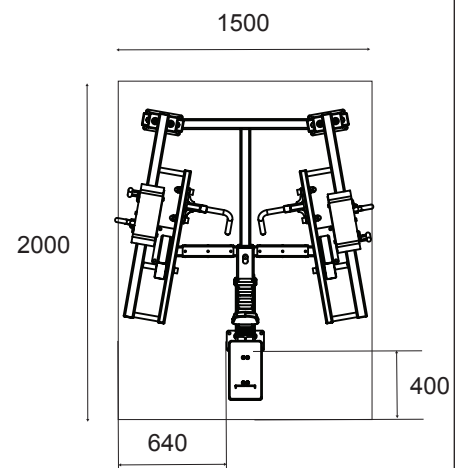
## Foundation



1. For example artificial turf or moldable safety platform max. 24 mm
2. Concrete min. 120 mm below equipments
3. Ground frost insulation, thickness based on the ground

## Concrete casting and positioning

- Length 2000 mm  
Width 1500 mm  
Thickness 120-150 mm
- Ground frost insulation
  - Rebaring
  - Adequate drying time must be ensured



## Product specification

Length	1694 mm
Width	1439 mm
Height	999 mm
User height	+ 140 cm
Age	+ 14
Base	surface mounting to concrete
Standard	EN16630
Country of manufacture	Finland
Metal parts	Stainless steel
Tube strengths	3-6 mm
Coating solution	Zink and powder coating, electropolishing

## Details

- Safe and effective exercise equipment
- Adjustable loading
- Multigrip
- Adjustable seat (height)
- Adjustable chest support (distance)
- Grip bar for unilateral exercises
- Loading 5-150kg (2x weight units)
- Maintenance free and protected stainless steel ball bearings
- The product comes as standard in RAL Classic colours RAL 5012 (blue), RAL 1017 (yellow), RAL 3020 (red), RAL 6018 (green) or RAL 7024 (grey). Other RAL colors are available at an additional cost.
- Can be installed on a movable platform

## Important

Installation depth for all Omnigym units: top surface of the concrete base on the ground level or max. -20 mm allowance for the surface material to be used. (See foundation figure)