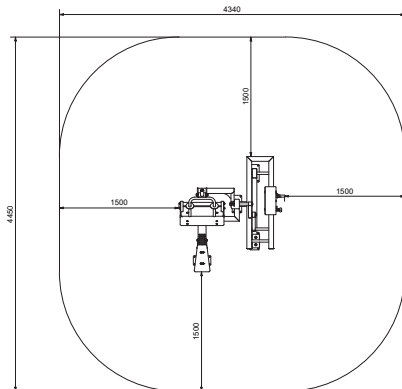
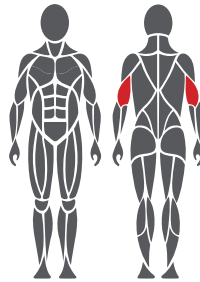


Use and movement areas



Target muscles



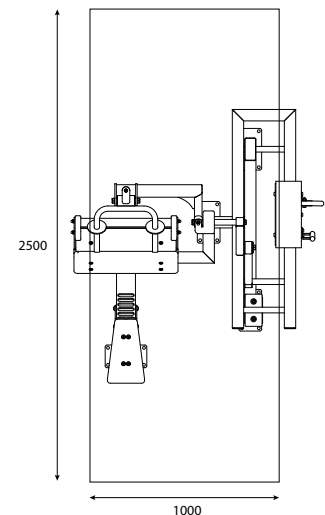
Foundation



1. For example artificial turf or moldable safety platform max. 24 mm
2. Concrete min. 120 mm below equipments
3. Ground frost insulation, thickness based on the ground

Concrete casting and positioning

- Length 2000 mm
- Width 1000 mm
- Thickness 120-150 mm
- Ground frost insulation
- Rebaring
- Adequate drying time must be ensured



Product specification

| | |
|------------------------|--|
| Length | 1450 mm |
| Width | 1310 mm |
| Height | 1210 mm |
| Equipment weight | 190 kg (1 x weight unit) |
| User height | + 140 cm |
| Age | + 14 |
| Safety area | 17,4 m ² |
| Base | surface mounting to concrete |
| Standard | EN16630 |
| Country of manufacture | Finland |
| Metal parts | Steel |
| Movement arm | Stainless steel |
| Tube strengths | 3-6 mm |
| Coating solution | Zink and powder coating electropolishing |

Details

- Effective and safe exercise equipment
- Adjustable loading
- Adjustable seat (height)
- Maintenance-free and stainless steel ball bearing
- 5-50 kg (1 x weight unit)
- The product comes as standard in RAL Classic colours RAL 5012 (blue), RAL 1017 (yellow), RAL 3020 (red), RAL 6018 (green) or RAL 7024 (grey). Other RAL colors are available at an additional cost.
- Can be installed on a movable platform

Important

Installation depth for all Omnigym® units: top surface of the concrete base on the ground level or max. -20 mm allowance for the surface material to be used. (See foundation figure)