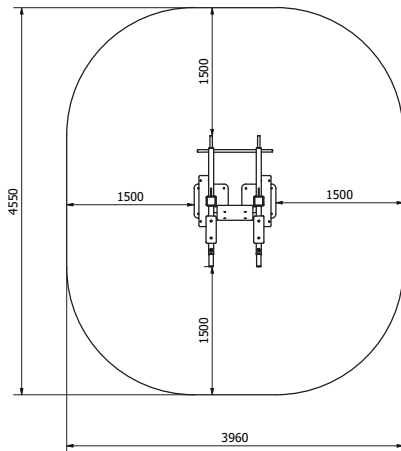
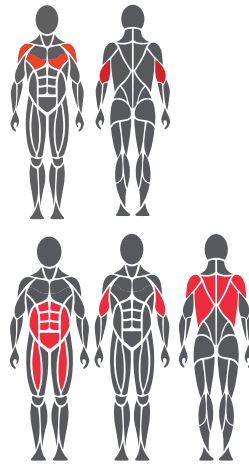


Use and movement areas



Target muscles



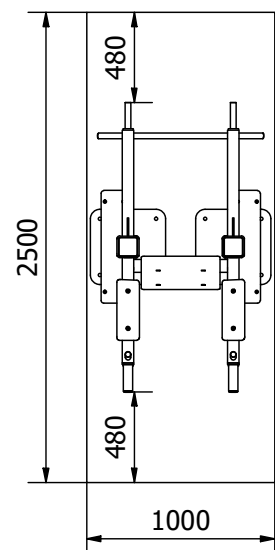
Foundation



1. Must be equipped with impact damping ground surface such as: a) artificial grass + padding, b) safety tiles or c) topsoil
2. Concrete min. 120 mm below equipments
3. Ground frost insulation, thickness based on the ground

Concrete casting and positioning

- Length 2500 mm
Width 1000 mm
Thickness 120-150 mm
- Ground frost insulation
 - Rebaring
 - Adequate drying time must be ensured



Product specification

Length	1540 mm
Width	960 mm
Height	2274 mm
Equipment weight	167 kg
User height	+ 140 cm
Age	+ 14
Safety area	16 m ²
Base	surface mounting to concrete
Standard	EN16630
Country of manufacture	Finland
Metal parts	Steel
Tube strengths	3-6 mm
Coating solution	Zink and powder coating

Details

- Effective and safe exercise equipment
- Structural black
- Multigrip (width, height)
- The product comes as standard in RAL Classic colours RAL 5012 (blue), RAL 1017 (yellow), RAL 3020 (red), RAL 6018 (green) or RAL 7024 (grey). Other RAL colors are available at an additional cost.
- OG95 can be installed on a movable safety platform. See product card OGMPS.

Important

Installation depth for all Omnigym® units: top surface of the concrete base on the ground level or max. -20 mm allowance for the surface material to be used. (See foundation figure)

Bar height 2199 mm. Max. free fall height 1199 mm (EN16630).