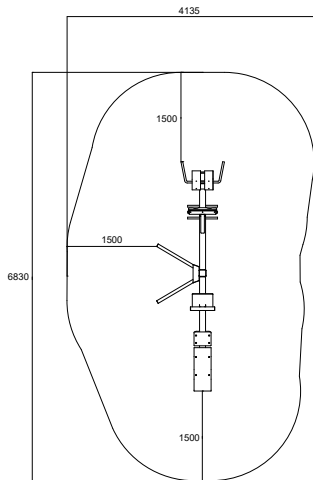
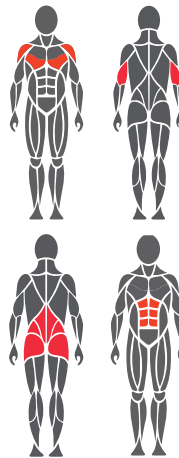


Use and movement areas



Target muscles



Foundation



1. For example artificial turf or moldable safety platform max. 24 mm
2. Concrete min. 120 mm below equipments
3. Ground frost insulation, thickness based on the ground

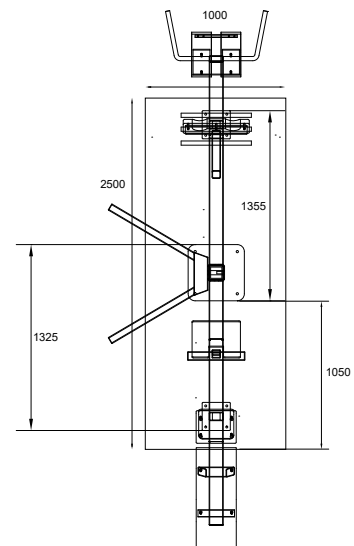
Concrete casting and positioning

Length 2500 mm

Width 1000 mm

Thickness 120-150 mm

- Ground frost insulation
- Rebaring
- Adequate drying time must be ensured



Product specification

Length	3830 mm
Width	1135 mm
Height	1430 mm
Equipment weight	141,2 kg
User height	+ 140 cm
Age	+ 14
Safety area	23,3 m ²
Base	surface mounting to concrete
Standard	EN16630
Country of manufacture	Finland
Metal parts	steel
Tube strengths	3-6 mm
Coating solution	Zink and powder coating

Details

- Effective and safe exercise equipment
- Back Extension, Dip Bars and Abdominal Bench
- The product comes as standard in RAL Classic colours RAL 5012 (blue), RAL 1017 (yellow), RAL 3020 (red), RAL 6018 (green) or RAL 7024 (grey). Other RAL colors are available at an additional cost.
- Can be installed on a movable platform

Important

Installation depth for all Omnigym units: top surface of the concrete base on the ground level or max. -20 mm allowance for the surface material to be used. (See foundation figure)