

Bouncing Element Jump M Art. 013200200

Installation and maintenance manual



Index

- 1 Bill of material..... 2**
- 2 Technical data and notes..... 2**
- 3 Age restriction..... 3**
- 4 Installation and assembly instructions..... 3**
- 5 Dimensions..... 4**
- 6 Maintenance manual 6**
- 7 Safety and user notes..... 7**
- 8 Documentation 7**
- Maintenance history..... 8**

1 Bill of material

Bouncing element Jump M, mounted for installation

2 Technical data and notes

- External dimensions: 2000x2000x375 mm (lxwxh)
- Jumping surface: 1500x1500/1450x1450 mm
- Weight: 230 Kg
- Material: -steel hot dip galvanized
 - -safety slabs
 - -plastic slats
- When setting up the Bouncing Element Jump M, please observe the safety area according to Chapter 5
- Spare parts for Bouncing Element Jump M have to be purchased from the manufacturer only
- Pit Dimension: 2100X2100X600 mm (lxwxh)
- Excavation of the pit: 2,646 m³/93,442 cft
- Needed combined frost protection and load bearing layer material: 0,744 m³/26,274 cft
- Lifting equipment is needed

3 Age restriction

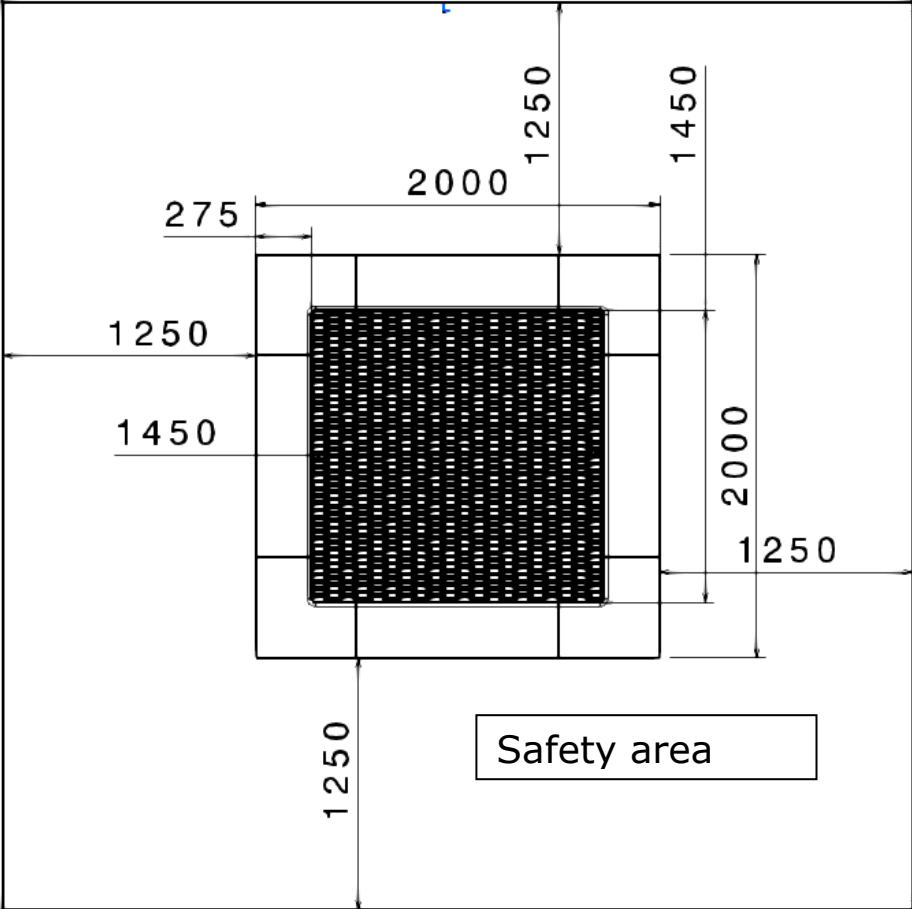
Bouncing Element Jump M is suitable for children from 3 years

Recommended number of users: 1

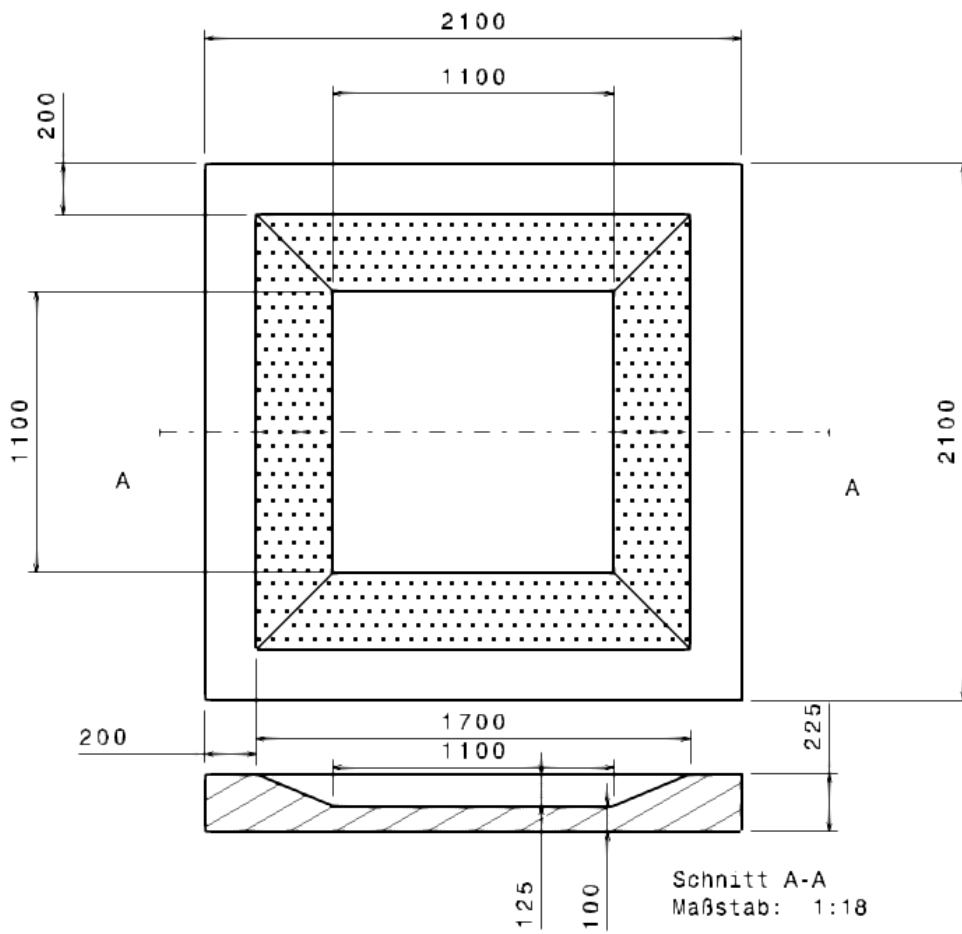
4 Installation and assembly instructions

1. Dig pit: 2100x2100x600 mm
2. Create combined frost protection and load bearing layer as shown in Drawing 2 Chapter 5
3. Screw the eyebolts into the existing holes and use as lifting point
4. Lift bouncing element and place it in the middle of the pit
5. Fill the gap with parts of the excavation

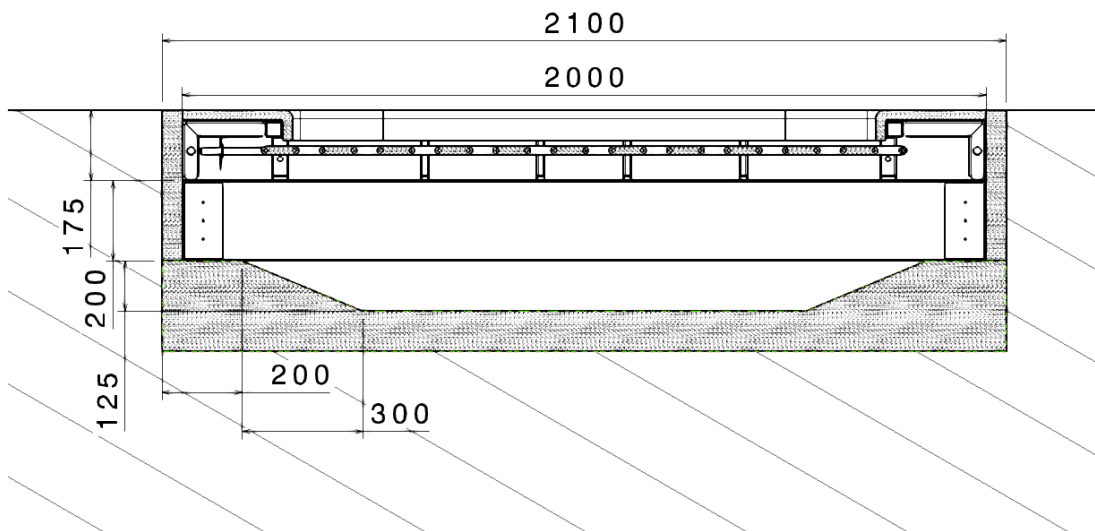
5 Dimensions



Drawing 1: Dimensions safety area



Drawing 2: Combined frost protection and load bearing layer



Drawing 3: Cut through installed Bouncing element

6 Maintenance manual

N. U.: Normal usage

Ex. U.: Extreme usage

1. Visual inspection of fall protection and the safety surface. Remove obvious hazards that f. e. have been caused by vandalism. Check fall protection for cracks or holes.

Maintenance interval: N. U.: weekly, Ex. U.: daily

2. Check slats for damages.

Maintenance interval: N. U.: weekly, Ex. U.: daily

3. Control free space under mat of the Bouncing element.

Maintenance interval: N. U.: annually, Ex. U.: semiannually

If there is something on the drainage layer you have two possibilities to remove the mat of the Bouncing element, see Point 4.

4. Check frame for scratches, bumps and rust. Check springs for damage and deformation.

For this you have 2 kinds of possibilities:

1. Remove ground around the bouncing element 200mm wide and deep. Screw of hinges. Lift the top and secure against falling down. Check frame visually for cracks and other damages. Reverse assembling.

2. Use release tool (available at the Seilfabrik Ullmann), unhook the feathers of the spring mat and remove the spring mat. Reverse assembling

Maintenance interval: N. U.: annually, Ex. U.: annually

7 Safety and user notes

No somersaults, belly and back jumps

Consider maximum capacity

No food / beverage

No alcohol / drugs

Wear shoes with flat sole

No jewelery

8 Documentation

06.10.2016: new Layout

06.10.2016: new dimensions

06.10.2016: new combined frost protection and load bearing layer

Maintenance history

Date	Kind of work	Name, Sign